

[54] PULL TAB FOR A TEAR STRIP OPENER

[75] Inventors: James J. Fridl, Darien; Gary K. Hasegawa, Chicago, both of Ill.

[73] Assignee: The Continental Group, Inc., Stamford, Conn.

[**] Term: 14 Years

[21] Appl. No.: 31,664

[22] Filed: Apr. 19, 1979

[51] Int. Cl. D9-07

[52] U.S. Cl. D9/438

[58] Field of Search D9/253, 254, 255, 256, D9/294, 438, 434; 220/270, 273, 272

[56] References Cited

U.S. PATENT DOCUMENTS

D. 216,423	1/1970	Khoury et al.	D9/256
3,545,638	12/1970	Brown	220/273
3,618,816	11/1971	Brown	220/273

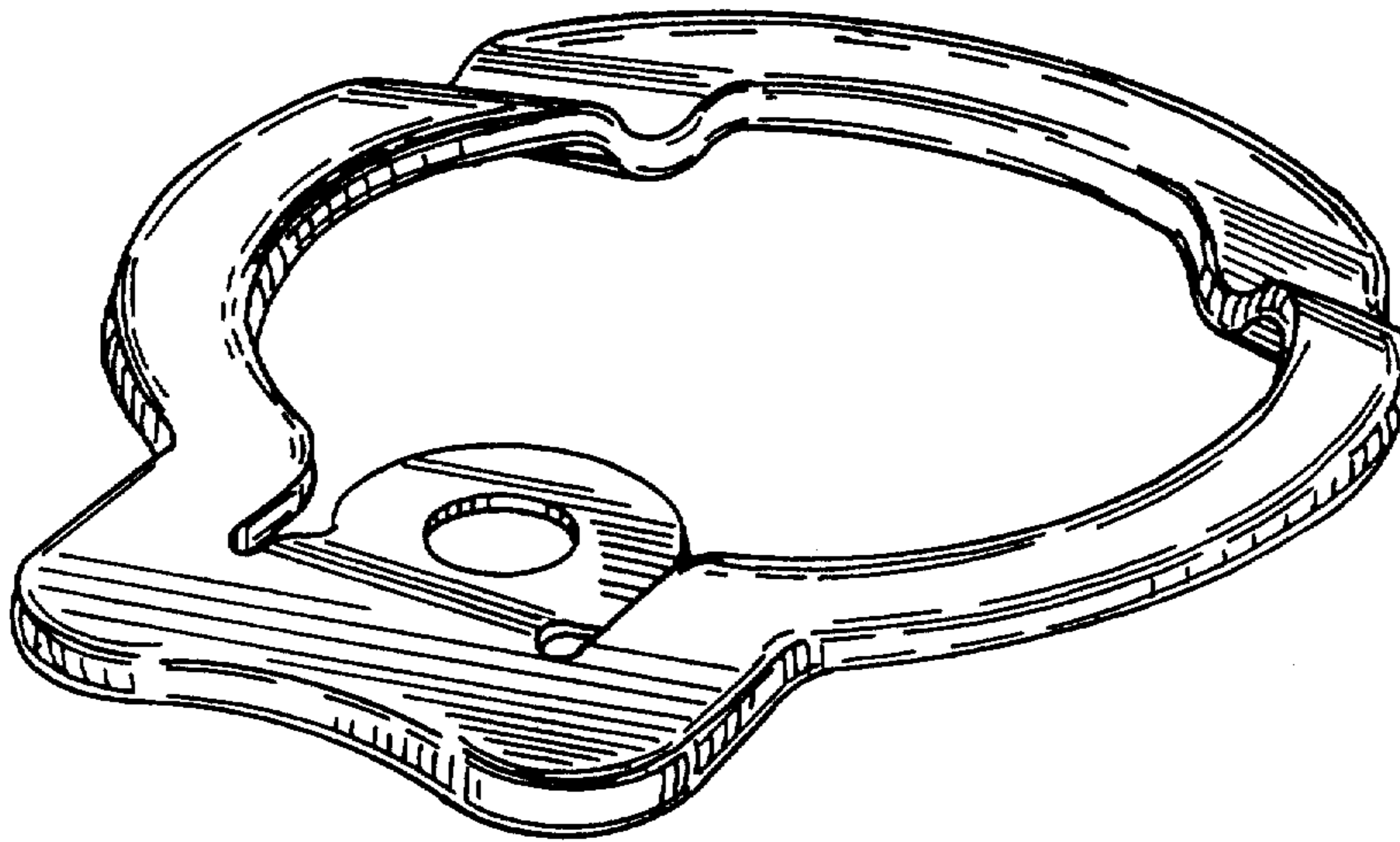
Primary Examiner—Joel Stearman
Assistant Examiner—Carmen H. Vales
Attorney, Agent, or Firm—John J. Kowalik

[57] CLAIM

The ornamental design for a pull tab for a tear strip opener, as shown and described.

DESCRIPTION

FIG. 1 is a perspective view of a pull tab for a tear strip opener showing our new design; FIG. 2 is a top plan view thereof; FIG. 3 is a front elevational view thereof; and FIG. 4 is a left end elevational view thereof.



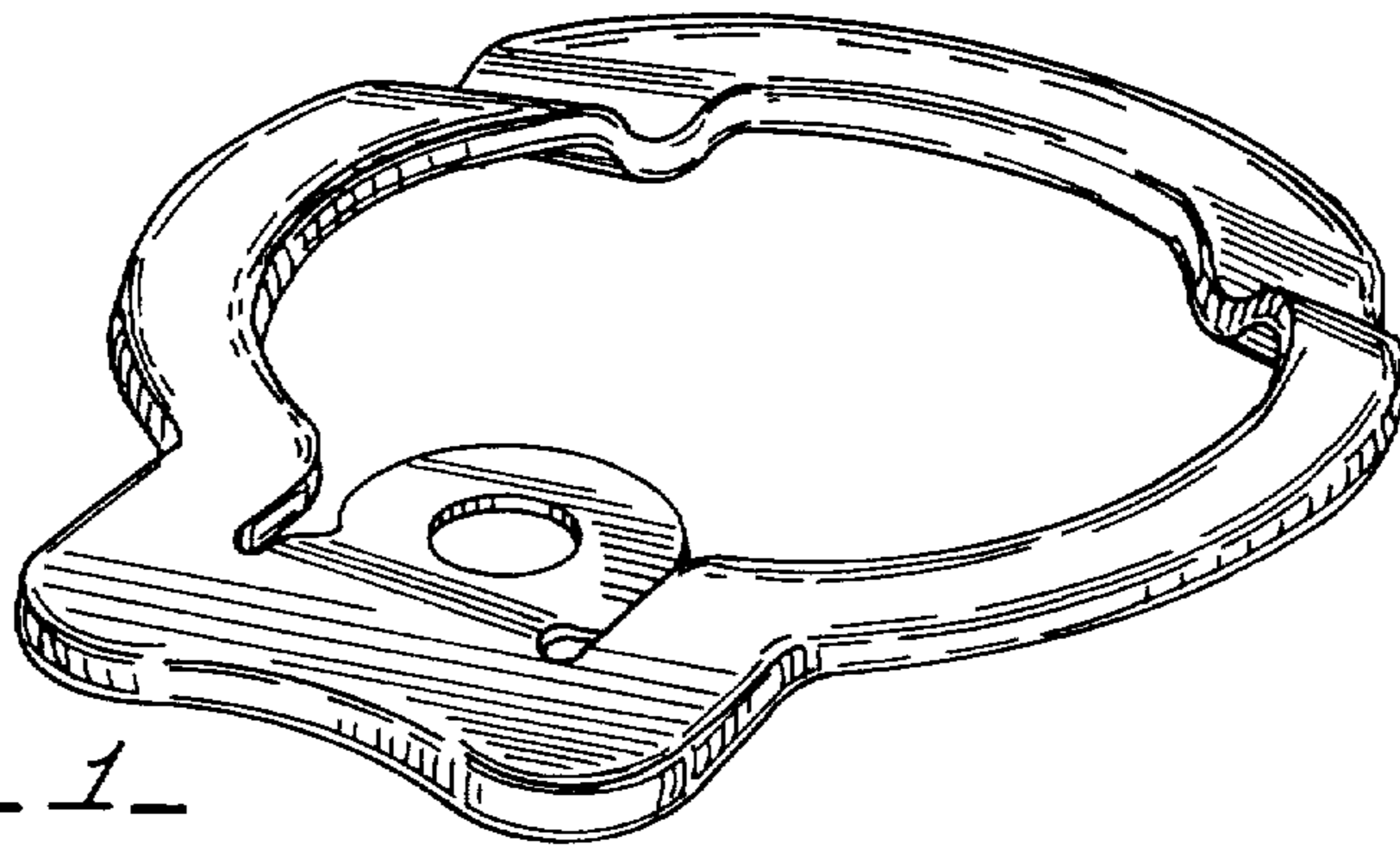


FIG. 1.

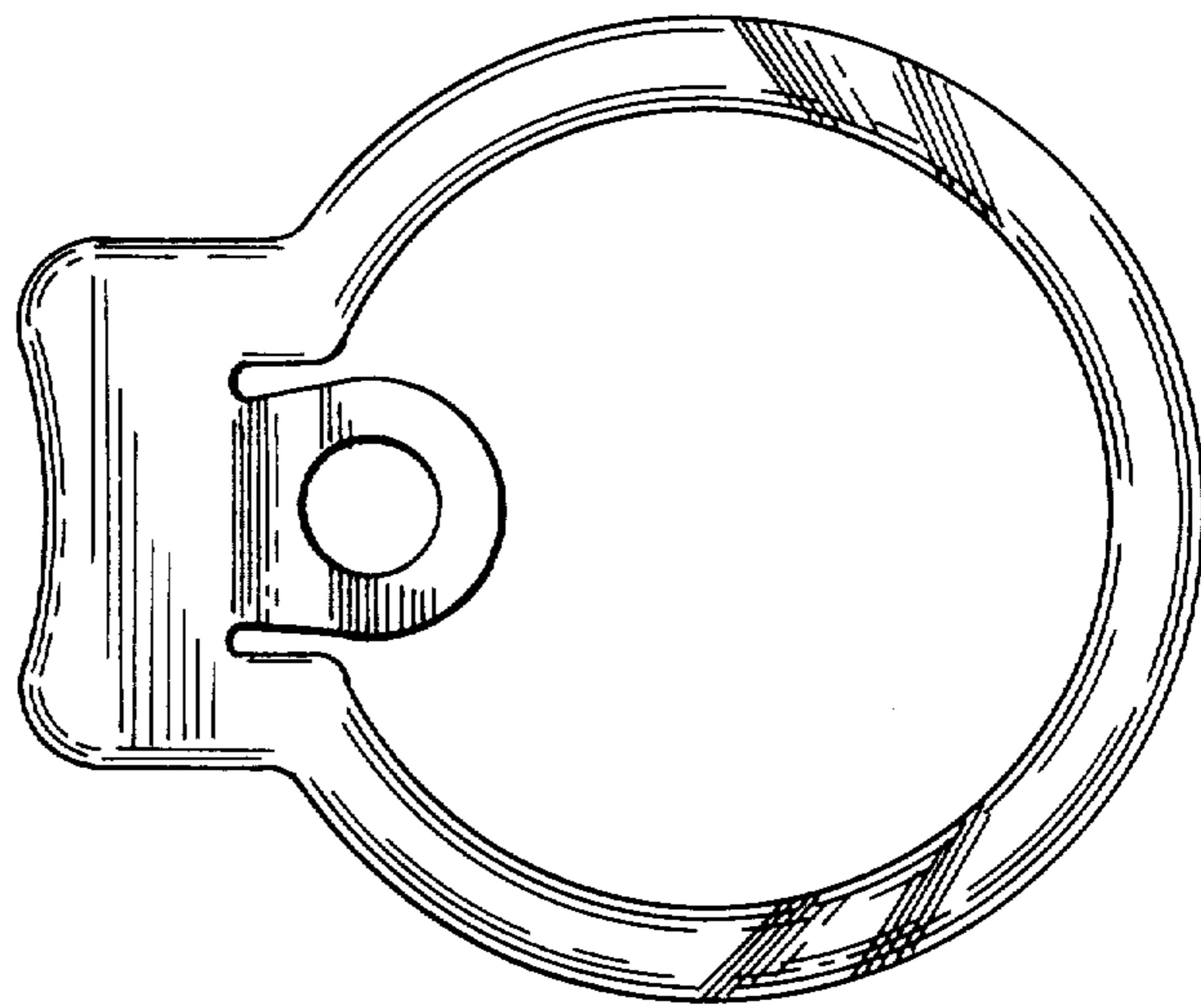


FIG. 2.

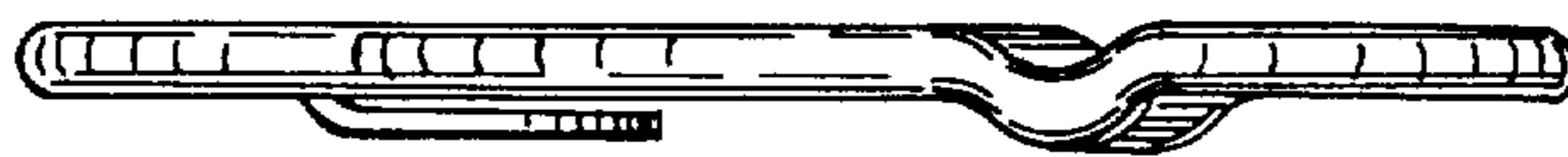


FIG. 3.

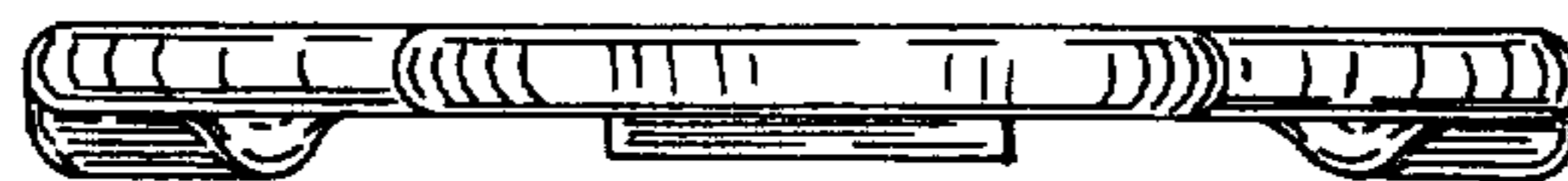


FIG. 4.