

[54] PULL TAB FOR A TEAR STRIP OPENER

[75] Inventor: Gary K. Hasegawa, Chicago, Ill.

[73] Assignee: The Continental Group, Inc., Stamford, Conn.

[\*\*] Term: 14 Years

[21] Appl. No.: 31,663

[22] Filed: Apr. 19, 1979

[51] Int. Cl. .... D9-07

[52] U.S. Cl. .... D9/438

[58] Field of Search ..... D9/253, 254, 255, 256, D9/294, 438, 434; 220/270, 273, 272

[56] References Cited

U.S. PATENT DOCUMENTS

3,979,012	9/1976	Arfert et al. ....	220/270
4,130,219	12/1978	Mallorca ....	220/270
4,183,445	1/1980	LaCross ....	220/273

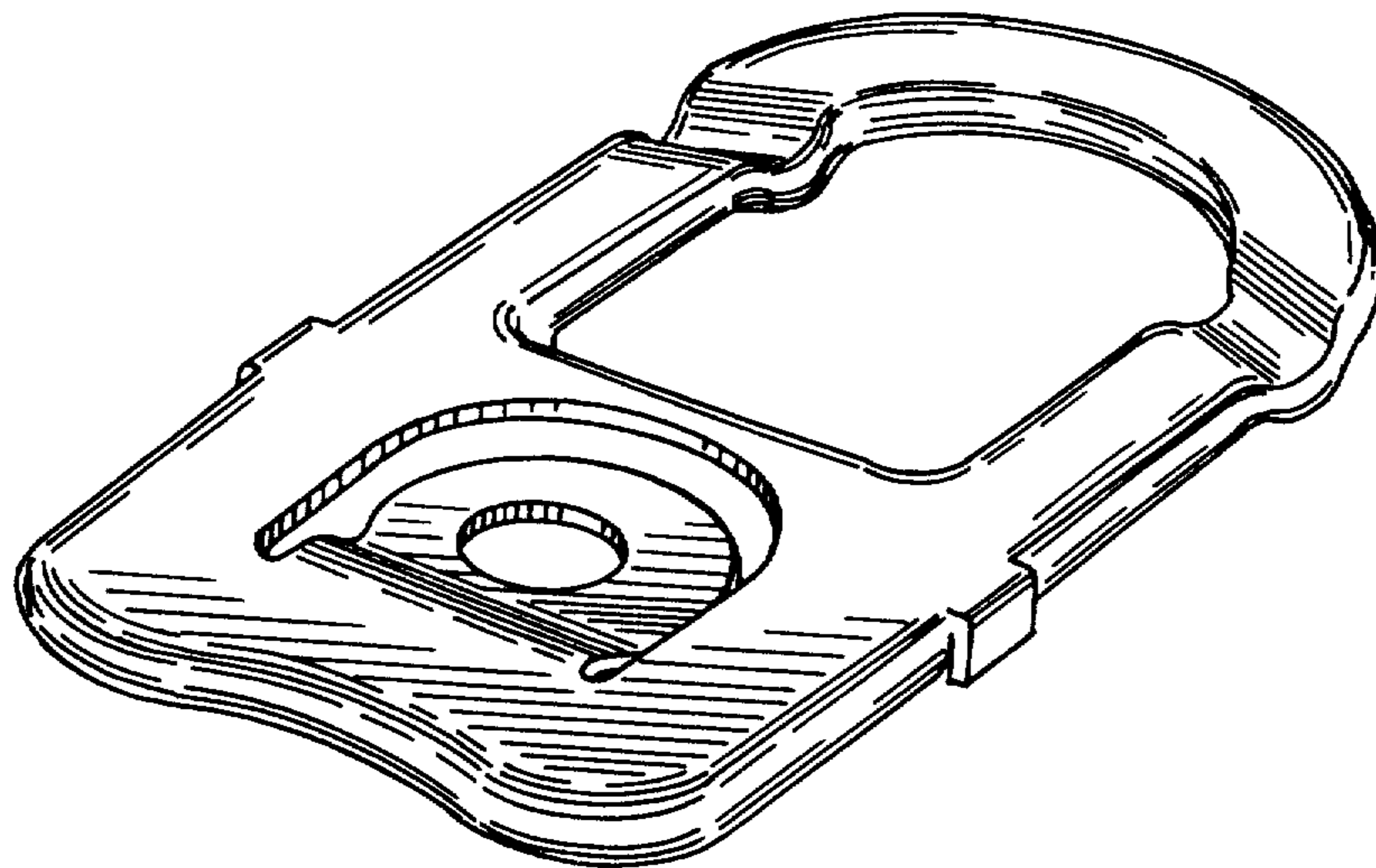
Primary Examiner—Joel Stearman  
Assistant Examiner—Carmen H. Vales  
Attorney, Agent, or Firm—John J. Kowalik

[57] CLAIM

The ornamental design for a pull tab for a tear strip opener, as shown and described.

DESCRIPTION

FIG. 1 is a perspective view of a pull tab for a tear strip opener showing my new design; FIG. 2 is a top plan view thereof; FIG. 3 is a front elevational view thereof; and FIG. 4 is a left end elevational view thereof.



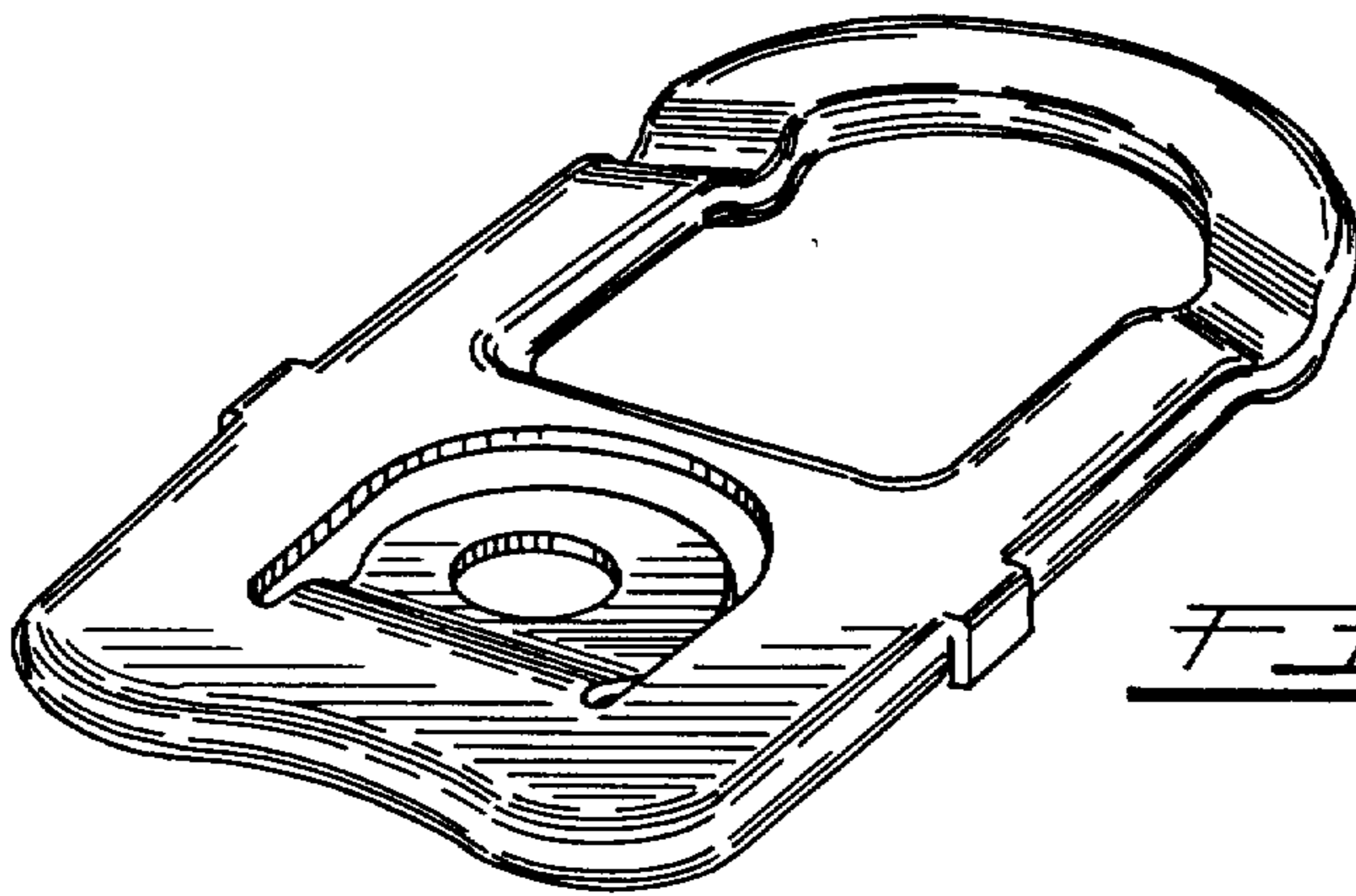


FIG. 1.

FIG. 2.

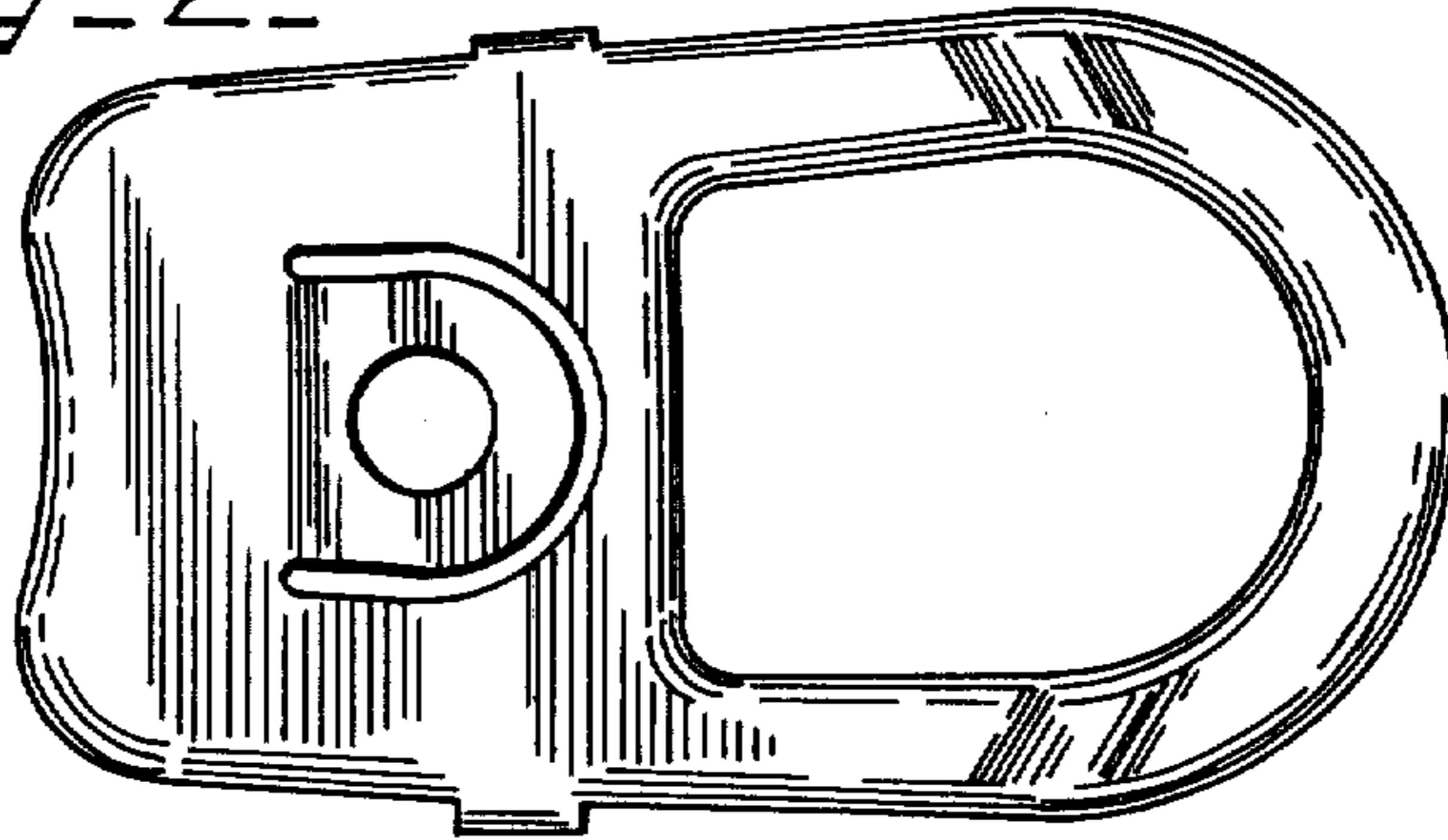


FIG. 3.

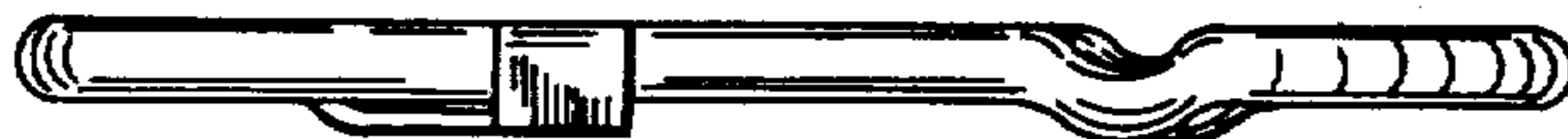


FIG. 4.

