

[54] TWIST-OFF CAP GRIPPER

[76] Inventor: Fred Nielsen, P.O. Box 63, Del Mar, Calif. 92014

[**] Term: 14 Years

[21] Appl. No.: 104,709

[22] Filed: Dec. 17, 1979

[51] Int. Cl. D07-99

[52] U.S. Cl. D8/40

[58] Field of Search D8/18, 33, 37, 40, 43; 7/151; 81/3.3 R, 3.3 A, 3.34, 3.4

[56] References Cited

U.S. PATENT DOCUMENTS

1,952,660 3/1934 Dryden D8/40 X
2,003,983 6/1935 Thener D8/18 X

FOREIGN PATENT DOCUMENTS

69235 5/1949 Denmark 81/3.4
134939 11/1919 United Kingdom D8/40 X

Primary Examiner—Joel Stearman
Assistant Examiner—Carmen H. Vales
Attorney, Agent, or Firm—Ralph S. Branscomb

[57] CLAIM

The ornamental design for a twist-off cap gripper, as shown and described.

DESCRIPTION

FIG. 1 is a top plan view of a twist-off cap gripper showing my new design;
FIG. 2 is a bottom plan view thereof;
FIG. 3 is a side elevational view thereof, the other sides being substantially mirror images thereto;
FIG. 4 is a sectional view taken along line 4-4 of FIGS. 1 and 5; and
FIG. 5 is a top plan view of a second embodiment of the twist-off cap gripper of FIG. 1.

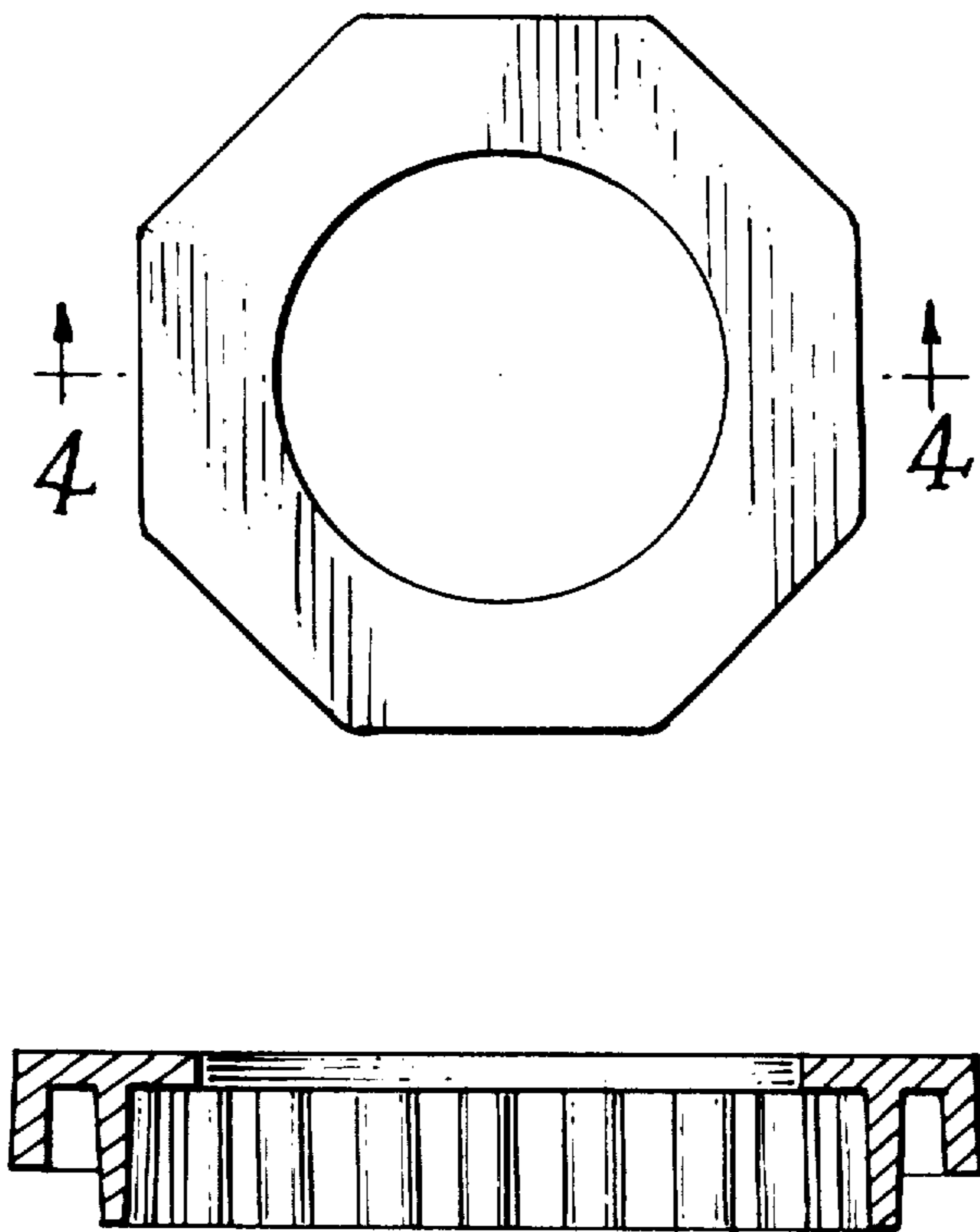


FIG. 1

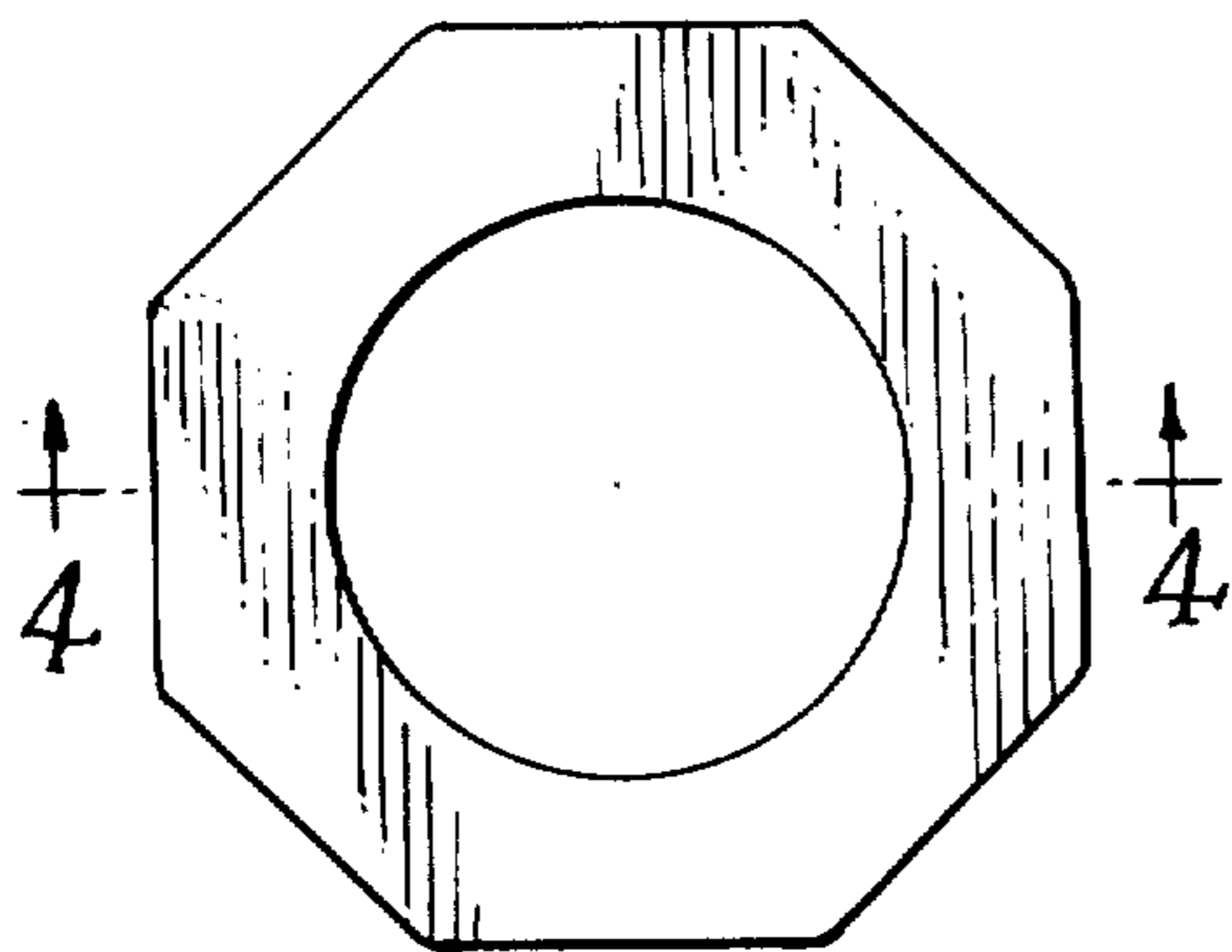


FIG. 2

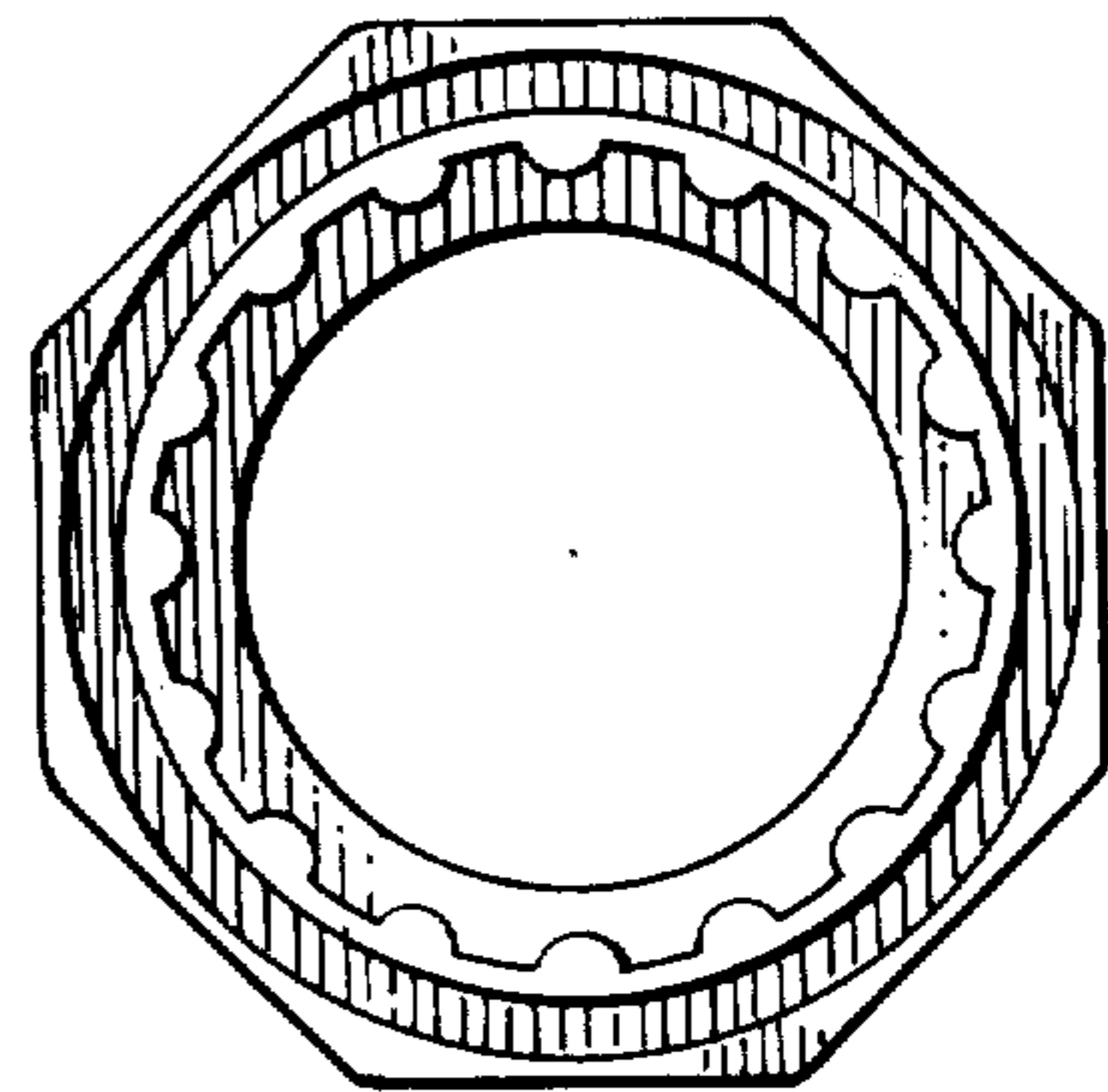


FIG. 3



FIG. 4



FIG. 5

