

[54] TOMATO STAKE OR THE LIKE

[76] Inventor: John Gigante, 600 Hilltop Ter.,
Cliffside Park, N.J. 07010

[**] Term: 14 Years

[21] Appl. No.: 93,143

[22] Filed: Nov. 9, 1979

[51] Int. Cl. D31-00

[52] U.S. Cl. D8/01

[58] Field of Search D8/01; D6/85; 47/44,
47/47; 248/530, 533, 27.8

[56] References Cited

U.S. PATENT DOCUMENTS

1,543,957	6/1925	Steiner	47/47
1,976,094	10/1934	Ritchie	47/47
2,030,249	2/1936	Goldberg	47/44

FOREIGN PATENT DOCUMENTS

40473	8/1887	Fed. Rep. of Germany	47/47
-------	--------	----------------------	-------

Primary Examiner—Catherine E. Kemper

Attorney, Agent, or Firm—Leonard W. Suroff

[57] CLAIM

The ornamental design for a tomato stake or the like, substantially as shown and described.

DESCRIPTION

FIG. 1 is a front elevational assembled view of a tomato stake having an upper and lower portion, showing my new design;

FIG. 2 is an enlarged front elevational view of the tomato stake prior to assembly of the upper and lower portions thereof;

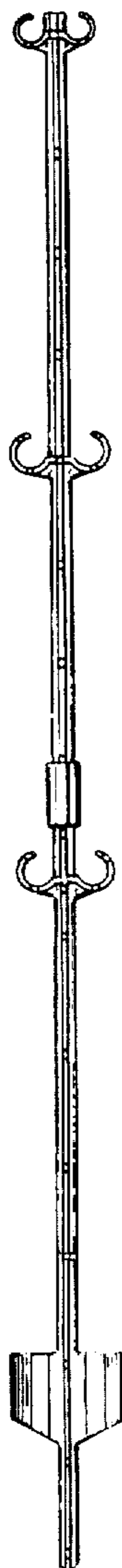
FIG. 3 is an enlarged rear elevational view of the tomato stake prior to assembly of the upper and lower portions thereof;

FIG. 4 is an enlarged side elevational view of the lower section thereof;

FIG. 5 is an enlarged top elevational view of the tomato stake of FIG. 1;

FIG. 6 is an enlarged bottom elevational view of the tomato stake of FIG. 1; and

FIG. 7 is an enlarged sectional view taken along lines 7-7 of FIG. 3.



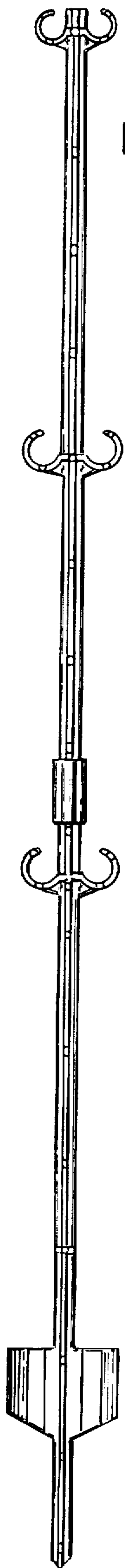


FIG. 1

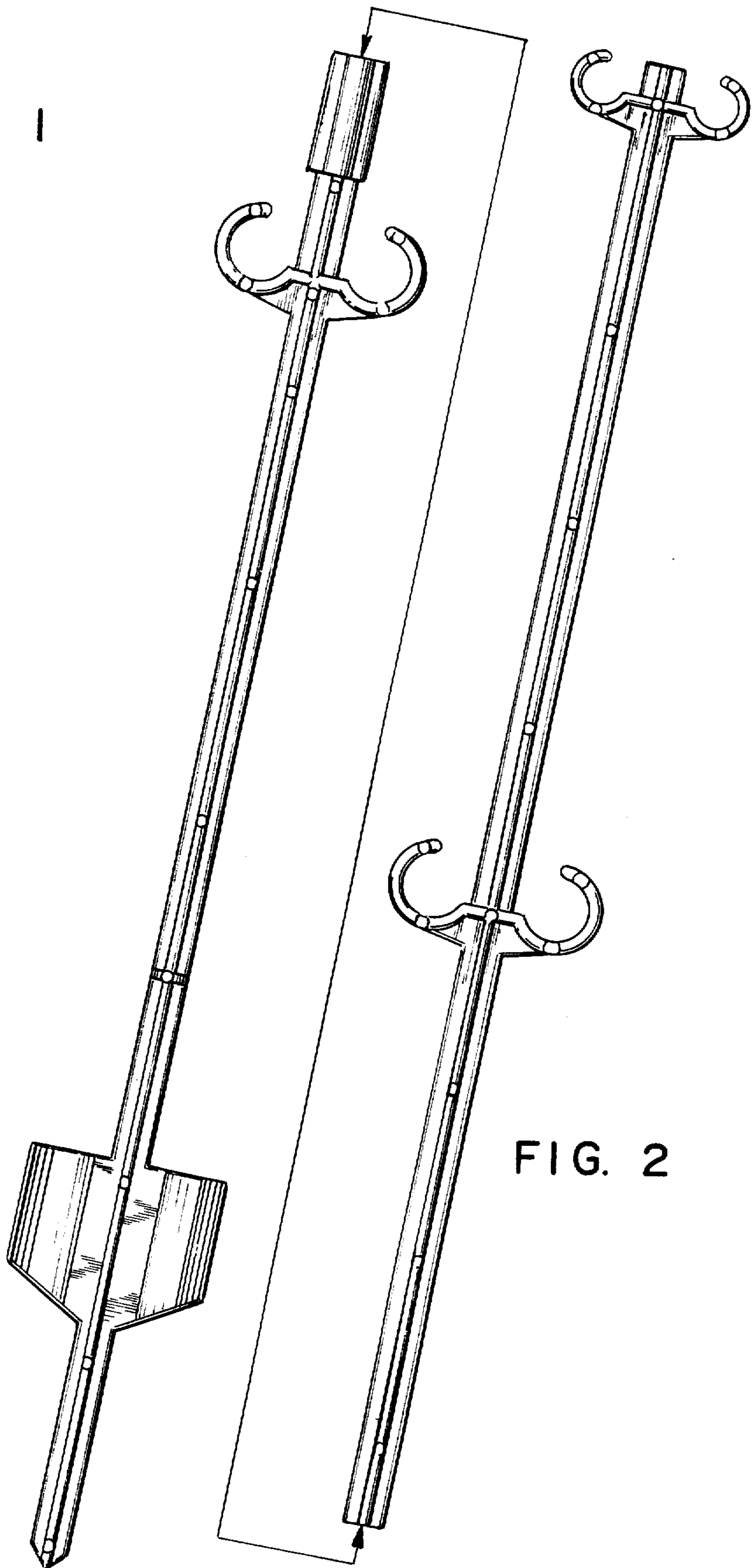


FIG. 2

