

[54] CHANNEL SUPPORT FOR DRAWER SLIDES

2,614,022 10/1952 Kurtzon ..... 312/339  
3,995,927 12/1976 Stein ..... 312/333  
4,162,114 7/1979 Litchfield et al. .... 312/350 X

[75] Inventor: William Blasnik, Demarest, N.J.

[73] Assignee: Hardware Designers, Inc., Mt. Kisco, N.Y.

Primary Examiner—Bruce W. Dunkins  
Attorney, Agent, or Firm—Mark T. Basseches; Paula T. Basseches

[\*\*] Term: 14 Years

[21] Appl. No.: 82,139

[57] CLAIM

[22] Filed: Oct. 5, 1979

The ornamental design for channel support for drawer slides, substantially as shown.

[51] Int. Cl. .... D6—99

DESCRIPTION

[52] U.S. Cl. .... D6/191

[58] Field of Search ..... 312/330, 333, 339, 350,  
312/351; 308/3.6; D6/191

FIG. 1 is a top plan view of the channel support for drawer slides in accordance with the invention;  
FIG. 2 is an end elevational view thereof;  
FIG. 3 is a plan view of the reverse face thereof;  
FIG. 4 is a side elevational view thereof;  
FIG. 5 is a transverse sectional view taken on the line 5—5 of FIG. 1;  
FIG. 6 is a longitudinal sectional view taken on the discontinuous line 6—6 of FIG. 1.

[56] References Cited

U.S. PATENT DOCUMENTS

- D. 218,321 8/1970 Van der Ley ..... D6/191
- D. 218,447 8/1970 Wilkinson ..... D6/191
- D. 240,585 7/1976 Kaplan ..... D6/191

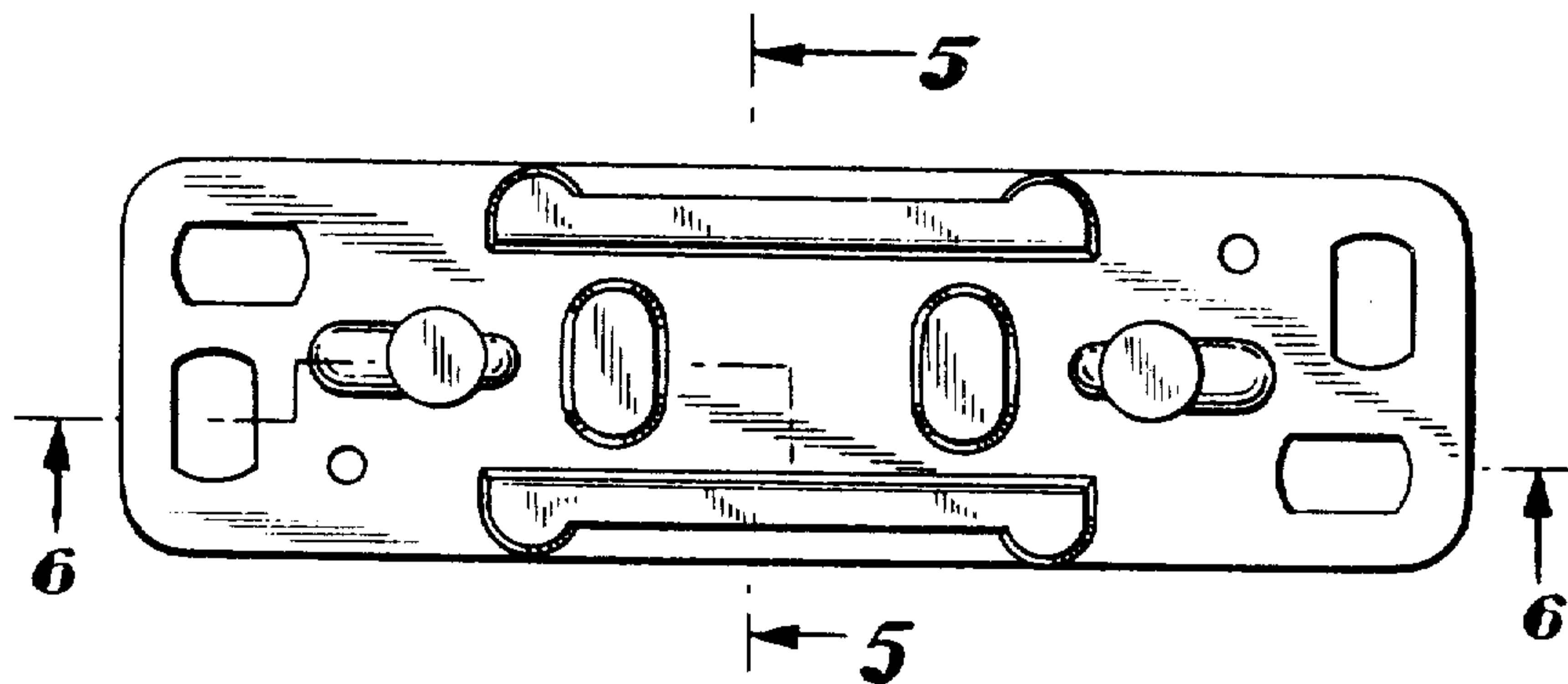


FIG. 1

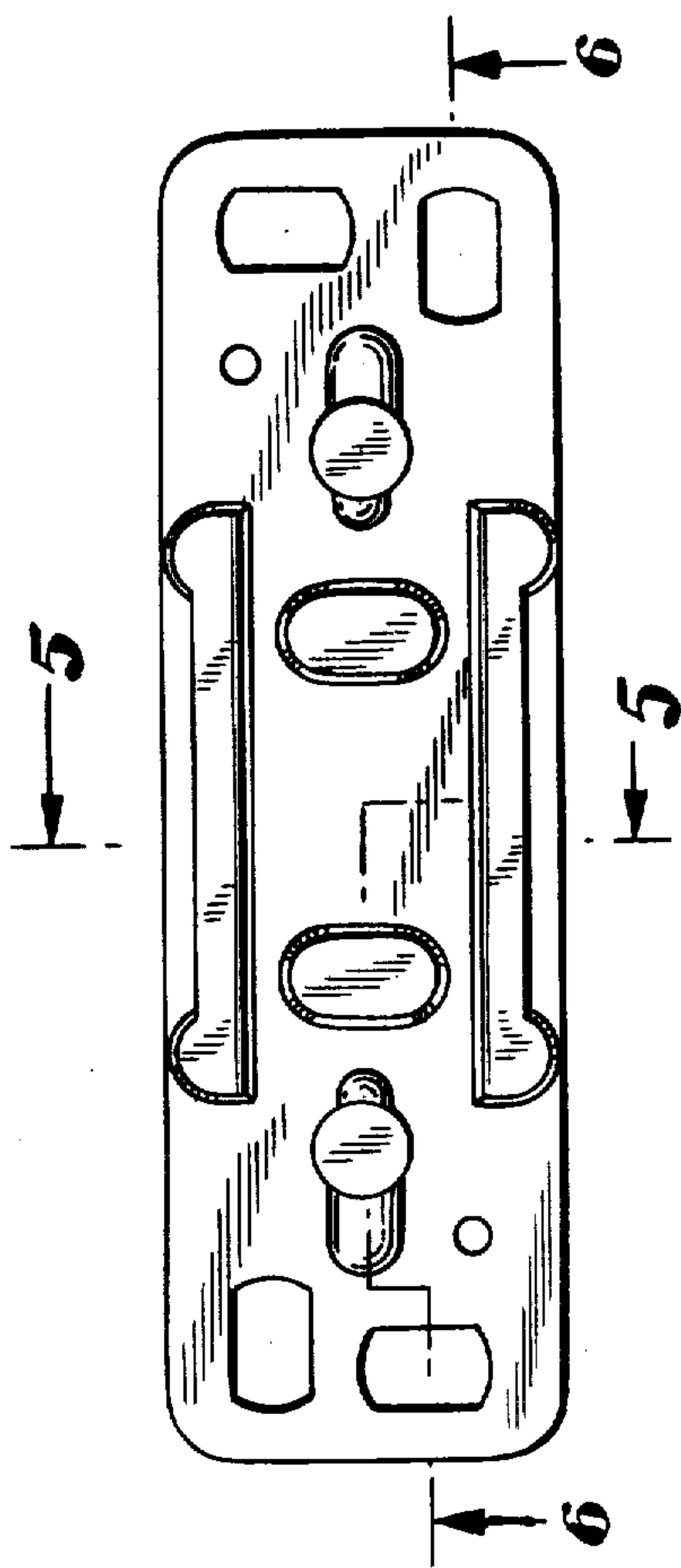


FIG. 2

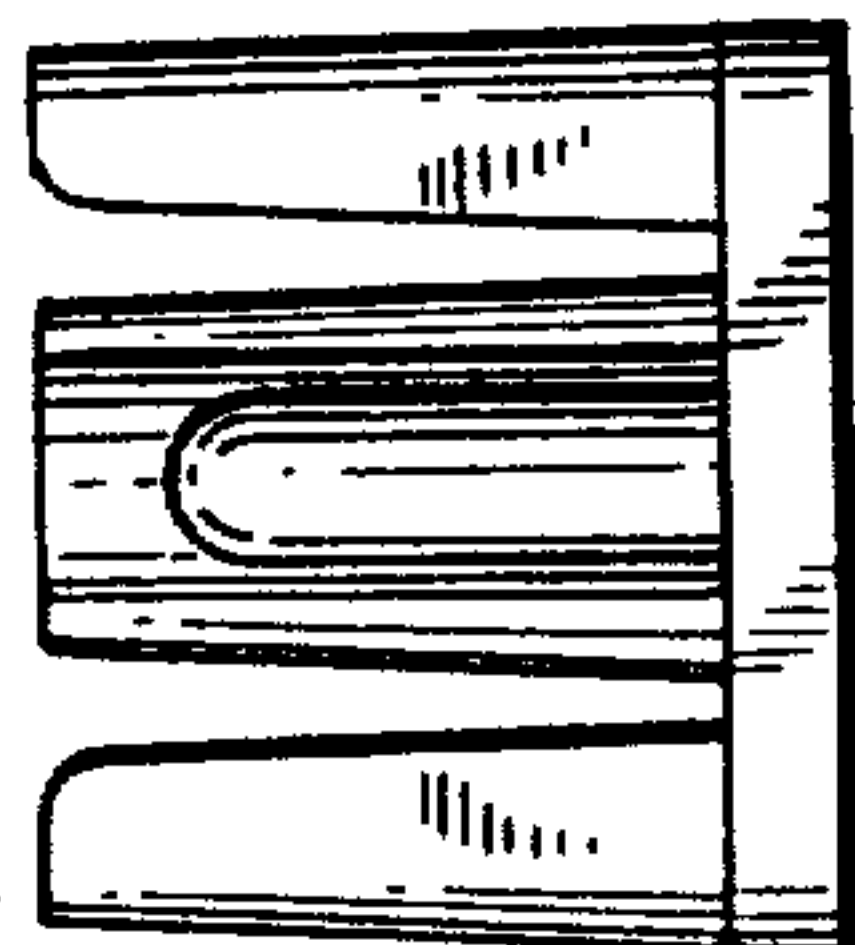


FIG. 3

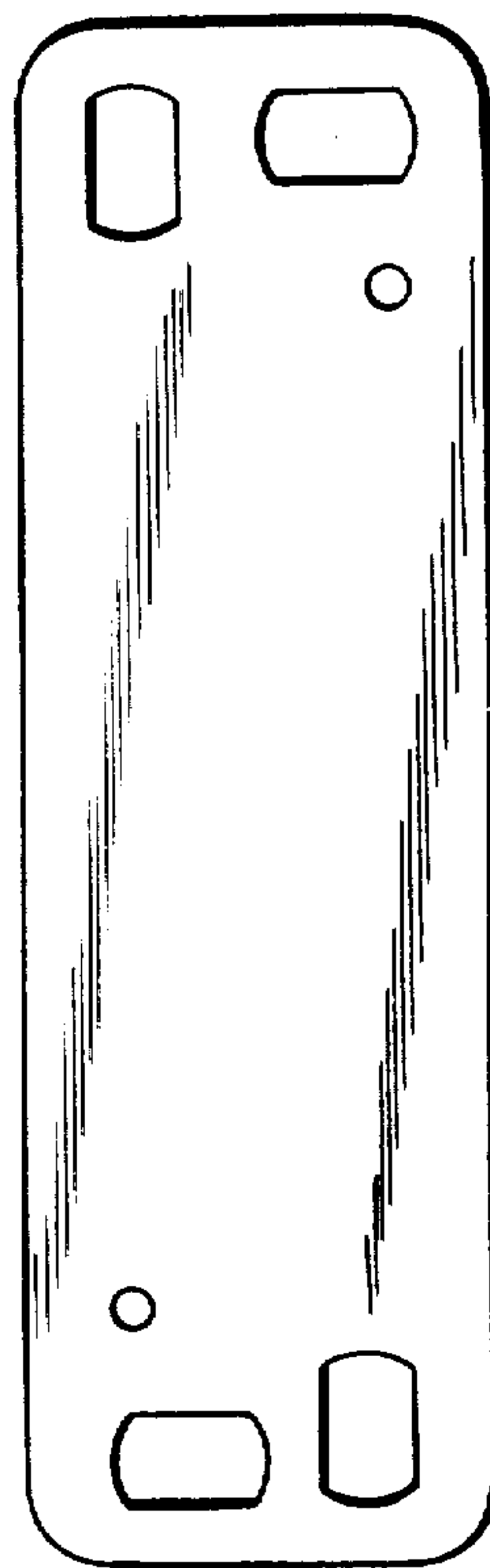


FIG. 4

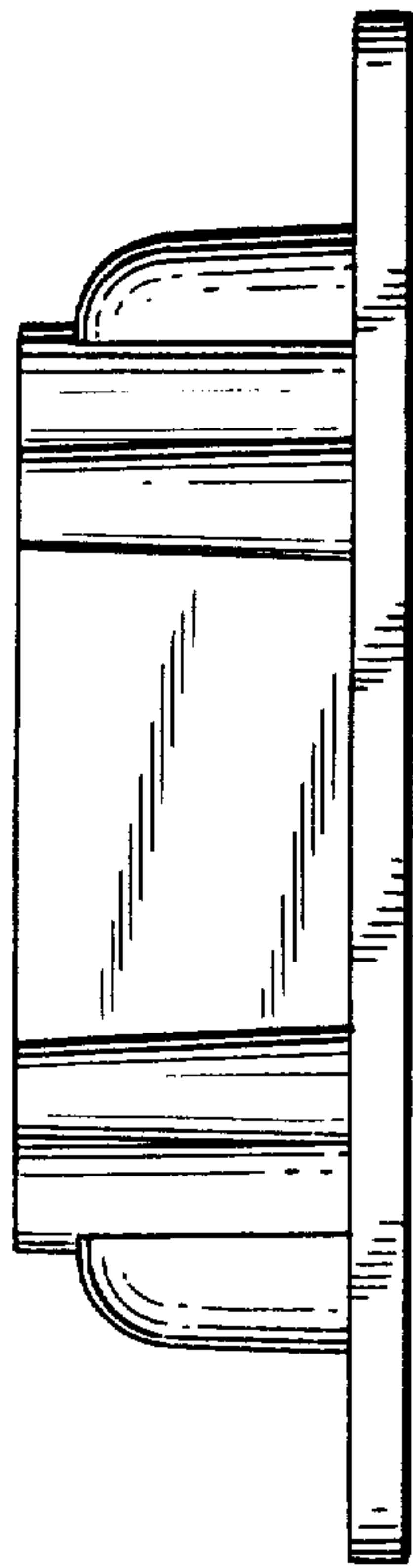


FIG. 5

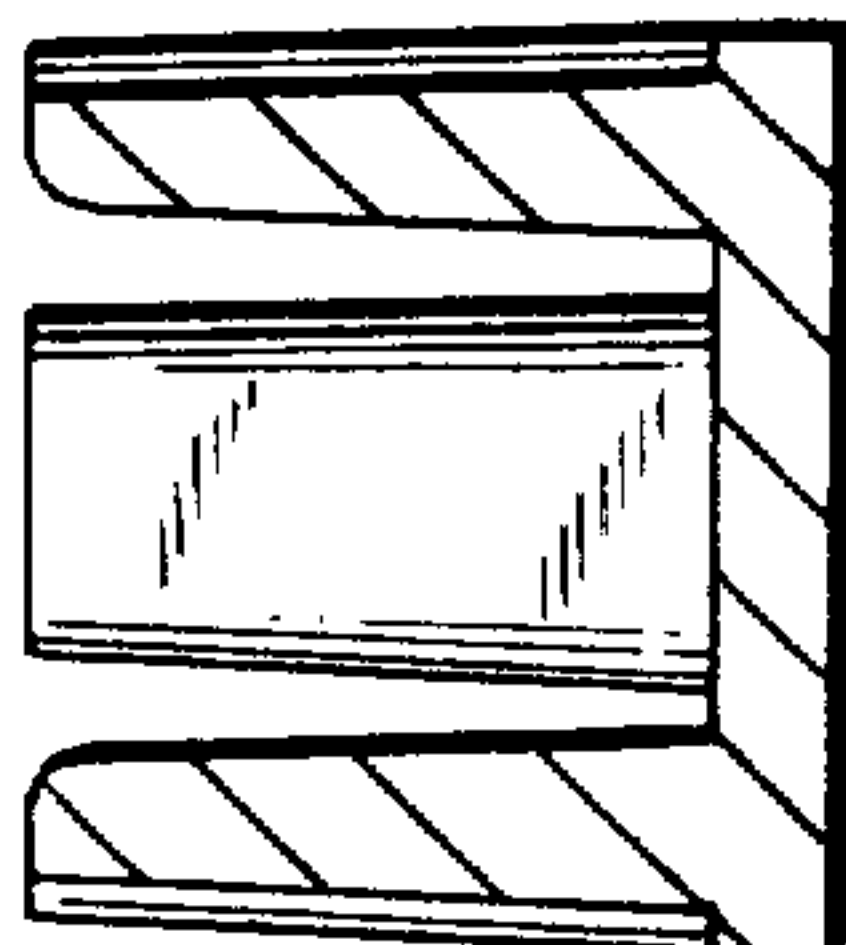


FIG. 6

