

[54] VALET

[76] Inventor: **Pauline E. Carr**, 1037 Country Club Rd., Warsaw, Ind. 46580

[**] Term: **14 Years**

[21] Appl. No.: **107,075**

[22] Filed: **Dec. 26, 1979**

[51] Int. Cl. **D06—04**

[52] U.S. Cl. **D6/186**

[58] Field of Search D6/158, 159, 85, 181, D6/165, 186; D3/30.5; 312/DIG. 33, 281; 223/85, DIG. 1; 211/1, 123, 206, 204; 108/28; D7/73, 74

390,681 10/1888 Kendall 312/281
 1,717,217 6/1929 Izan 211/1
 4,170,392 10/1979 Spevak 312/DIG. 33

Primary Examiner—Joel Stearman
Assistant Examiner—Carmen H. Vales
Attorney, Agent, or Firm—Oltsch, Knoblock & Hall

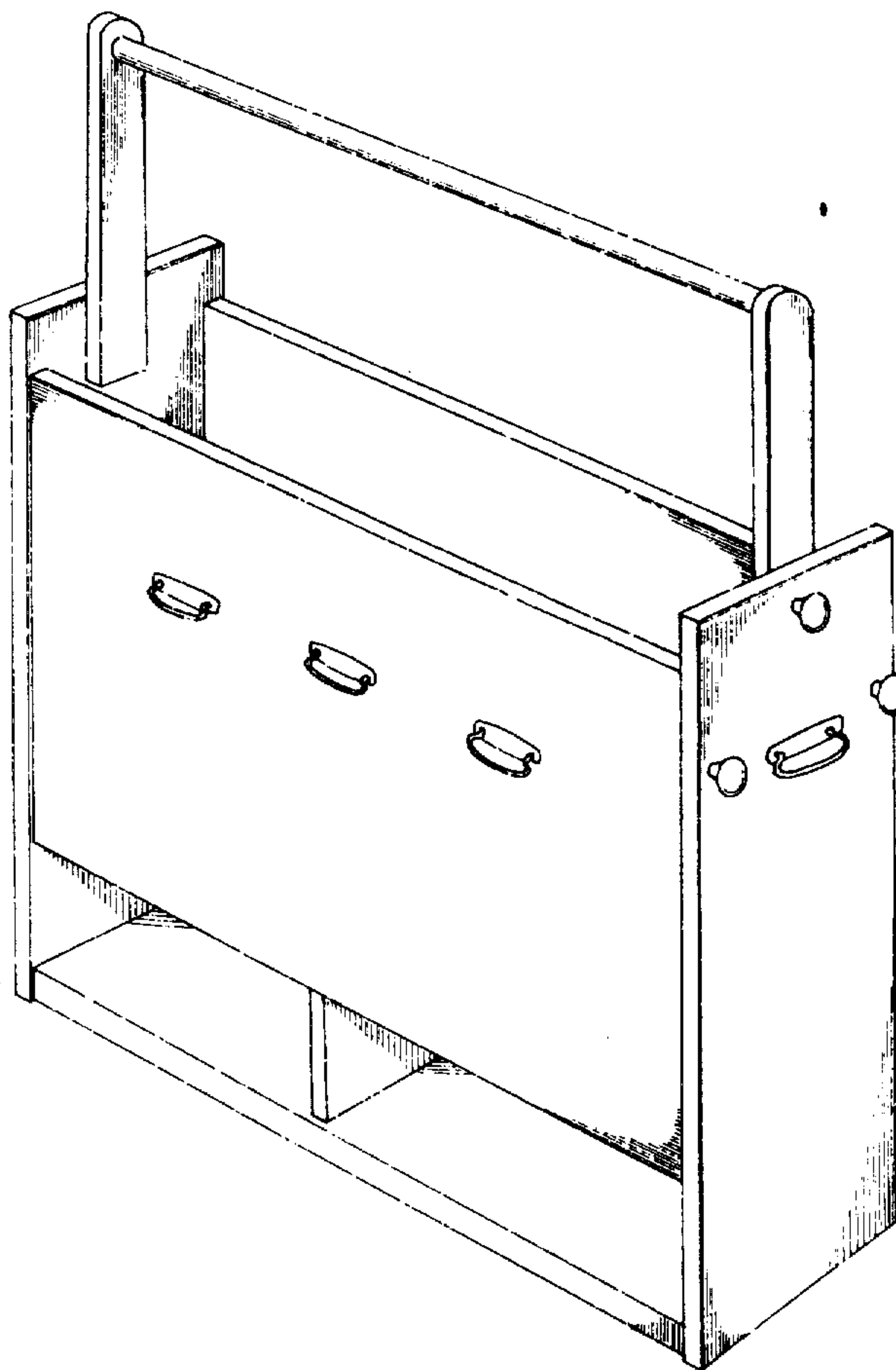
[57] **CLAIM**

The ornamental design for a valet, as shown and described.

DESCRIPTION

FIG. 1 is a front perspective view of a valet showing my new design;
 FIG. 2 is a front elevational view thereof;
 FIG. 3 is a right side elevational view thereof, the left side being substantially a mirror image thereof; and
 FIG. 4 is a top plan view thereof.
 The rear and bottom of the valet are substantially plain and unornamented.

[56] **References Cited**
U.S. PATENT DOCUMENTS
 D. 207,238 3/1967 Nevai D7/73



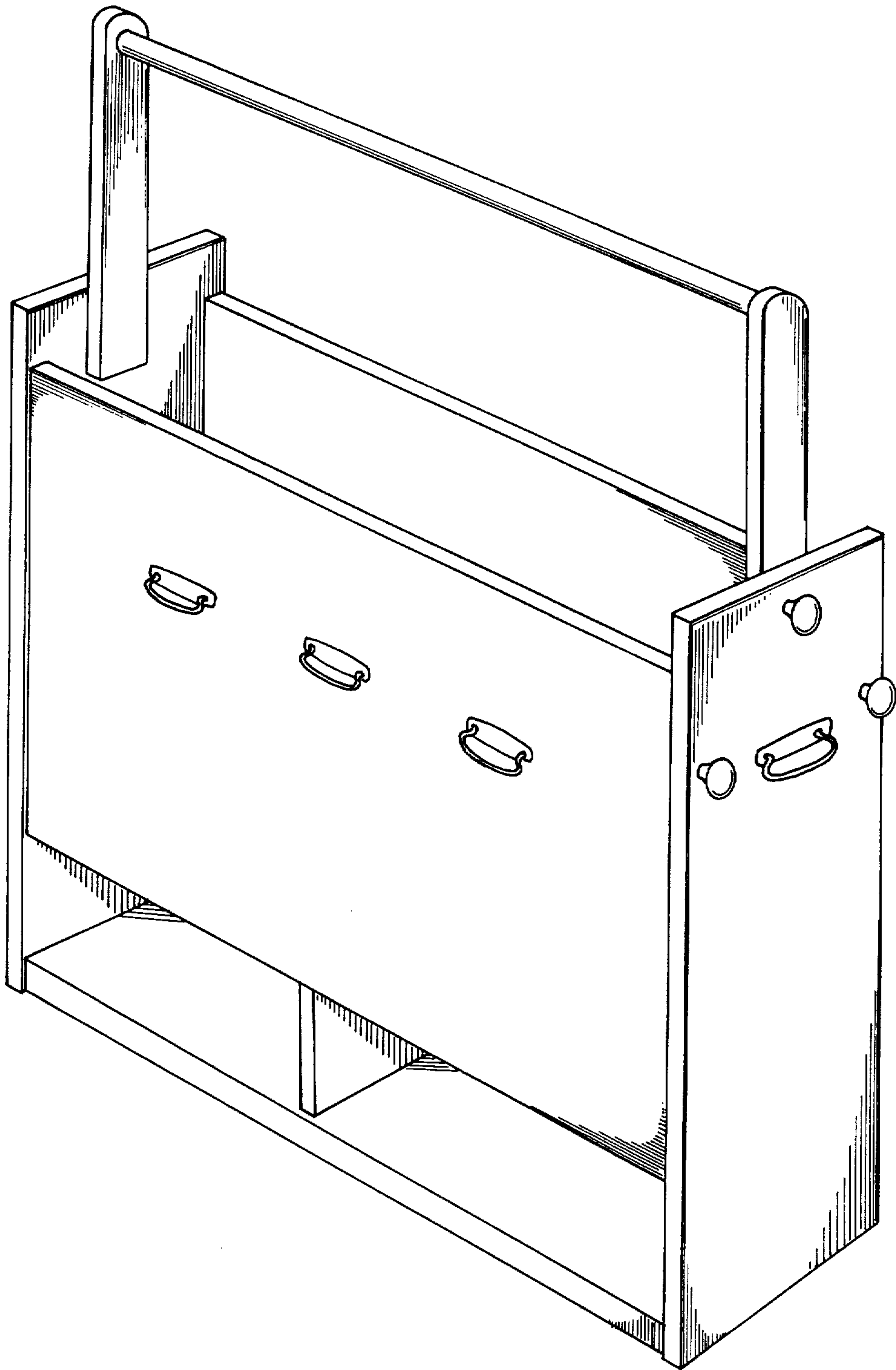


Fig. 1

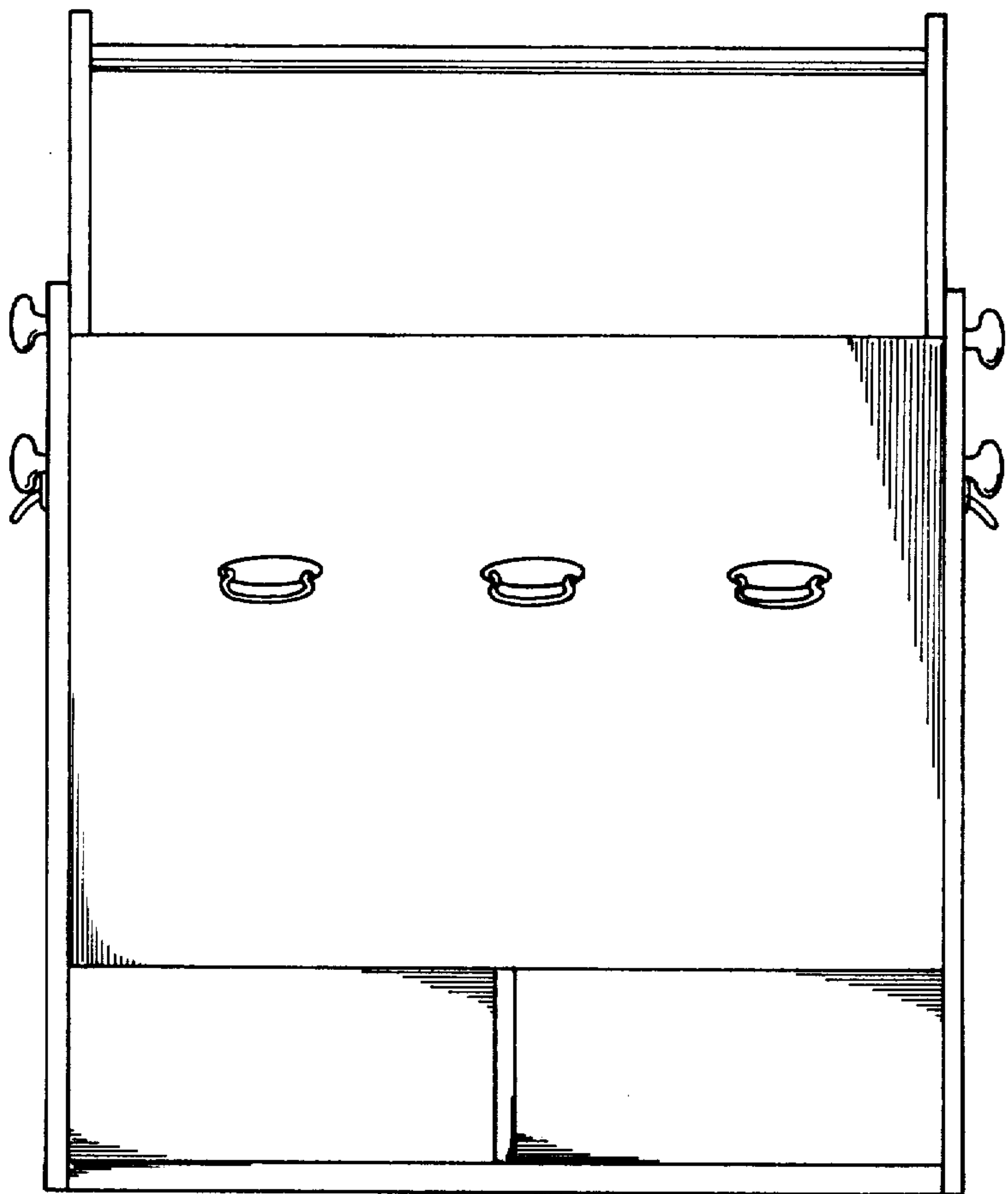


Fig. 2

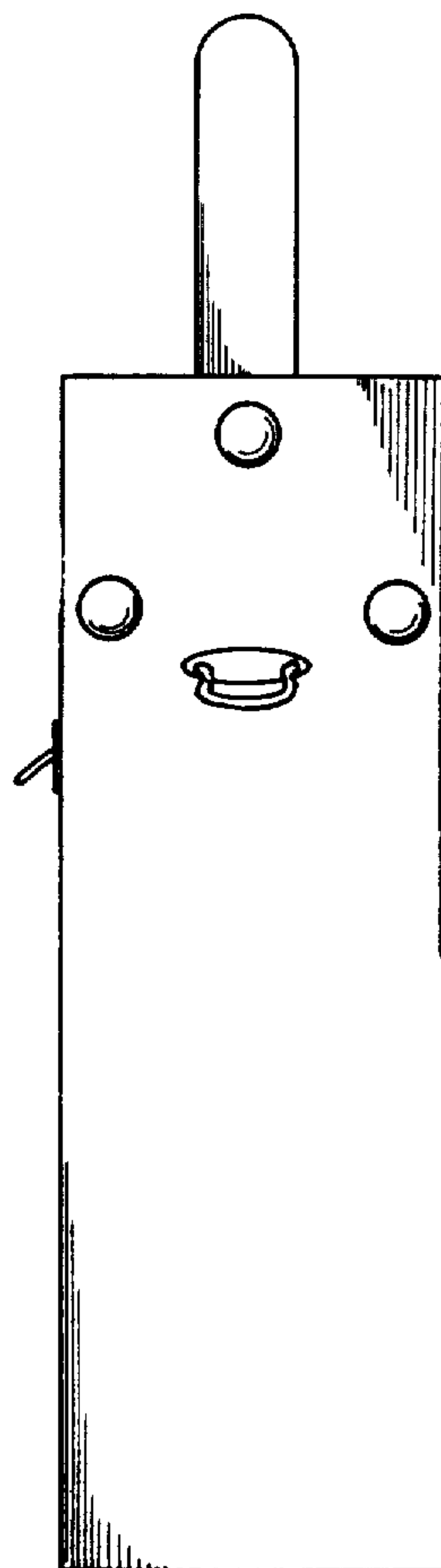


Fig. 3

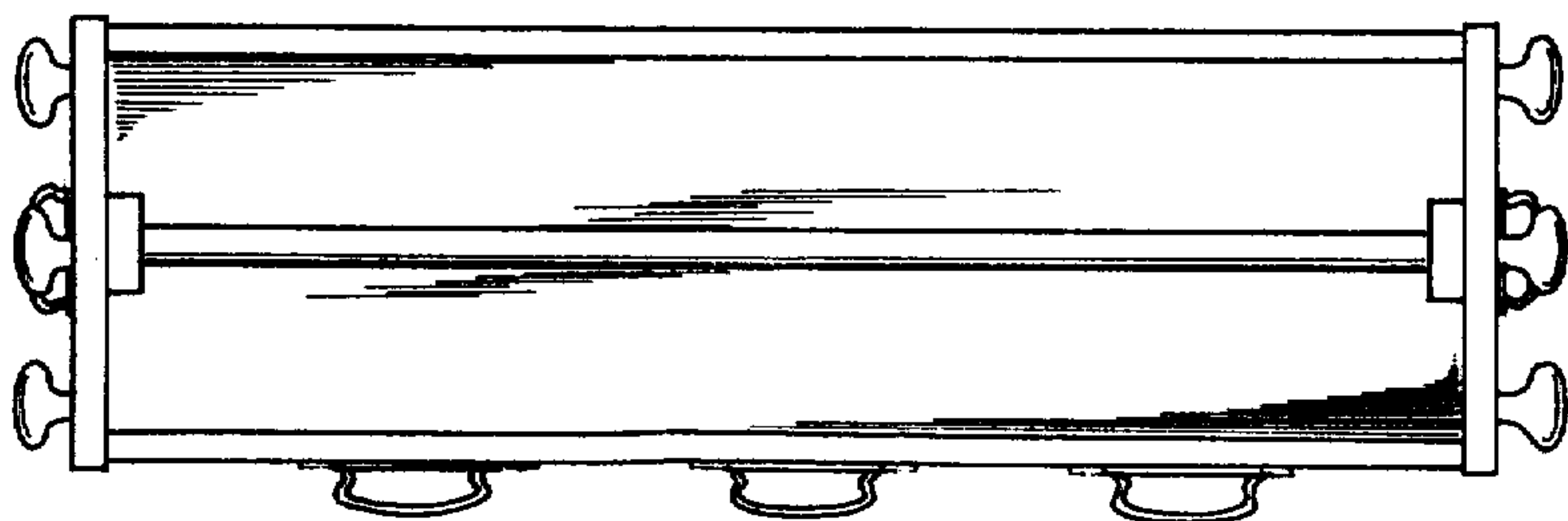


Fig. 4