

[54] COCKTAIL TABLE OR SIMILAR ARTICLE

[56] References Cited

[76] Inventor: Donald A. Kvasnicka, 718 N. Logan, Colorado Springs, Colo. 80909

U.S. PATENT DOCUMENTS
D. 168,525 12/1952 Thomas D6/179
D. 169,948 6/1953 Quintana D6/74
D. 240,186 6/1976 Rosen D6/177

[**] Term: 14 Years

Primary Examiner—Bruce W. Dunkins
Attorney, Agent, or Firm—W. Britton Moore

[21] Appl. No.: 31,118

[57] CLAIM

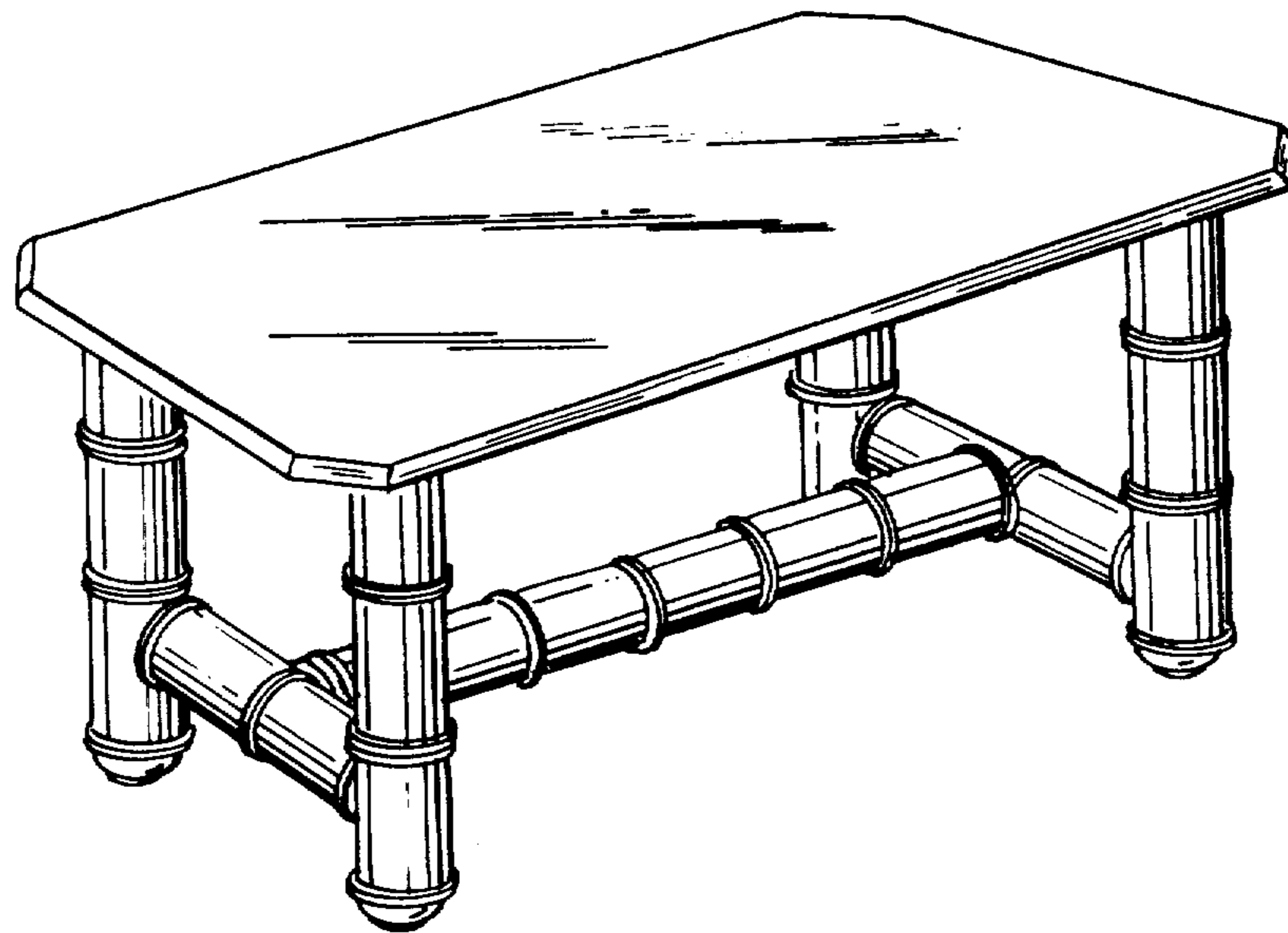
The ornamental design for a cocktail table or similar article, as shown.

[22] Filed: Apr. 18, 1979

DESCRIPTION

[51] Int. Cl. D6—03
[52] U.S. Cl. D6/177
[58] Field of Search D6/146-149,
D6/175, 177-179, 74

FIG. 1 is a perspective view of a cocktail type table showing my new design;
FIG. 2 is a top plan view of FIG. 1;
FIG. 3 is an end elevational view of FIG. 1;
FIG. 4 is a side elevational view of FIG. 1; and
FIG. 5 is a bottom view of FIG. 1.



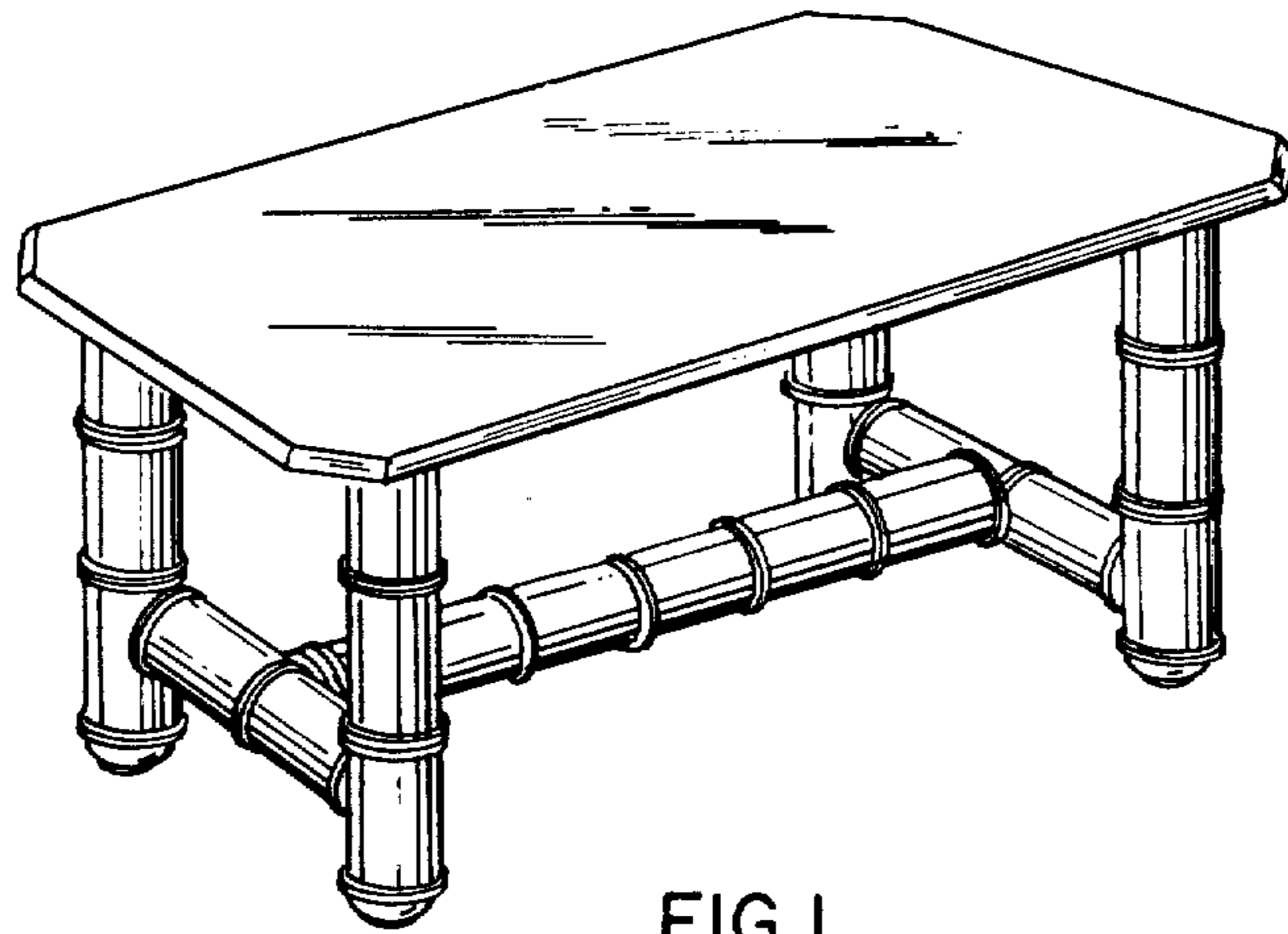


FIG. 1

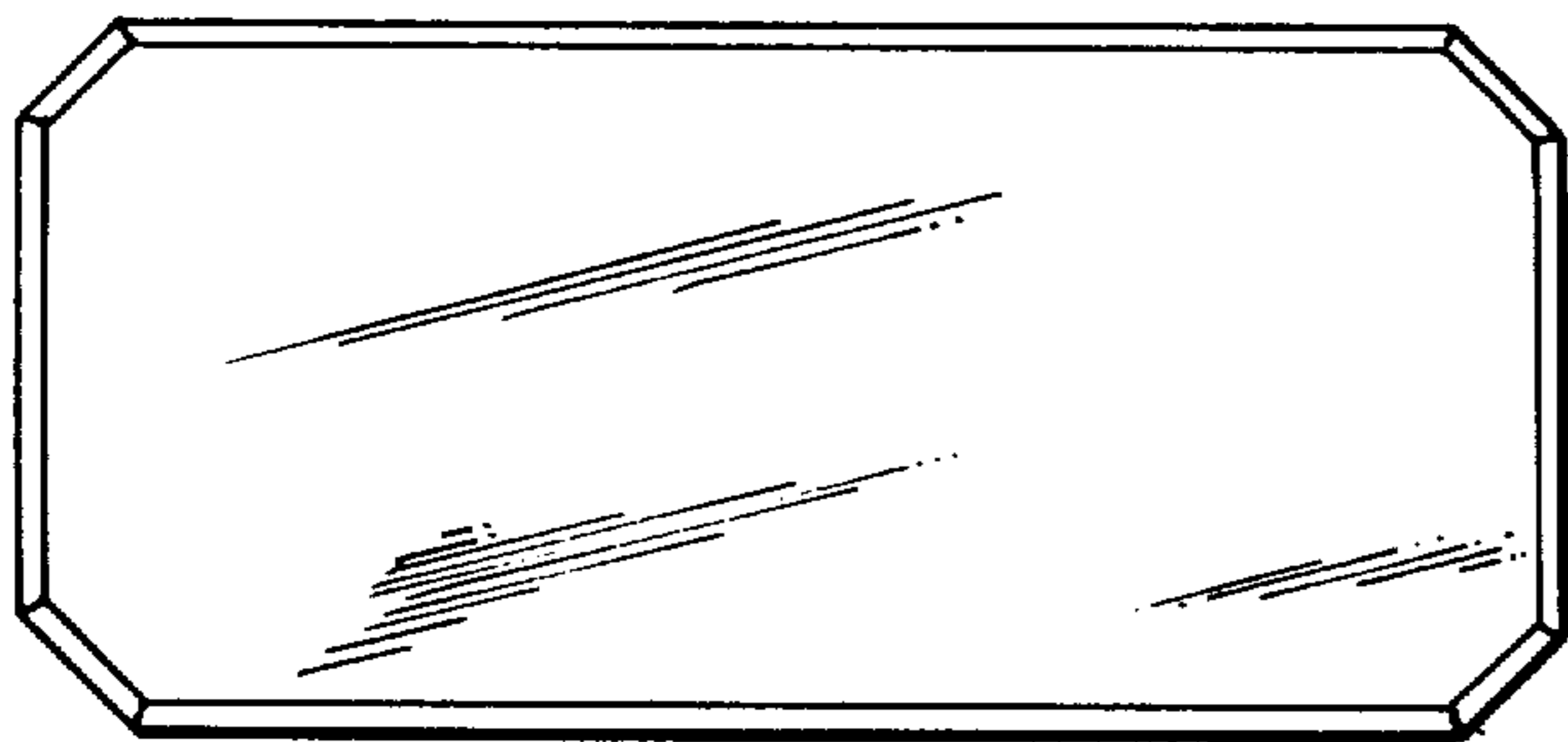


FIG. 2

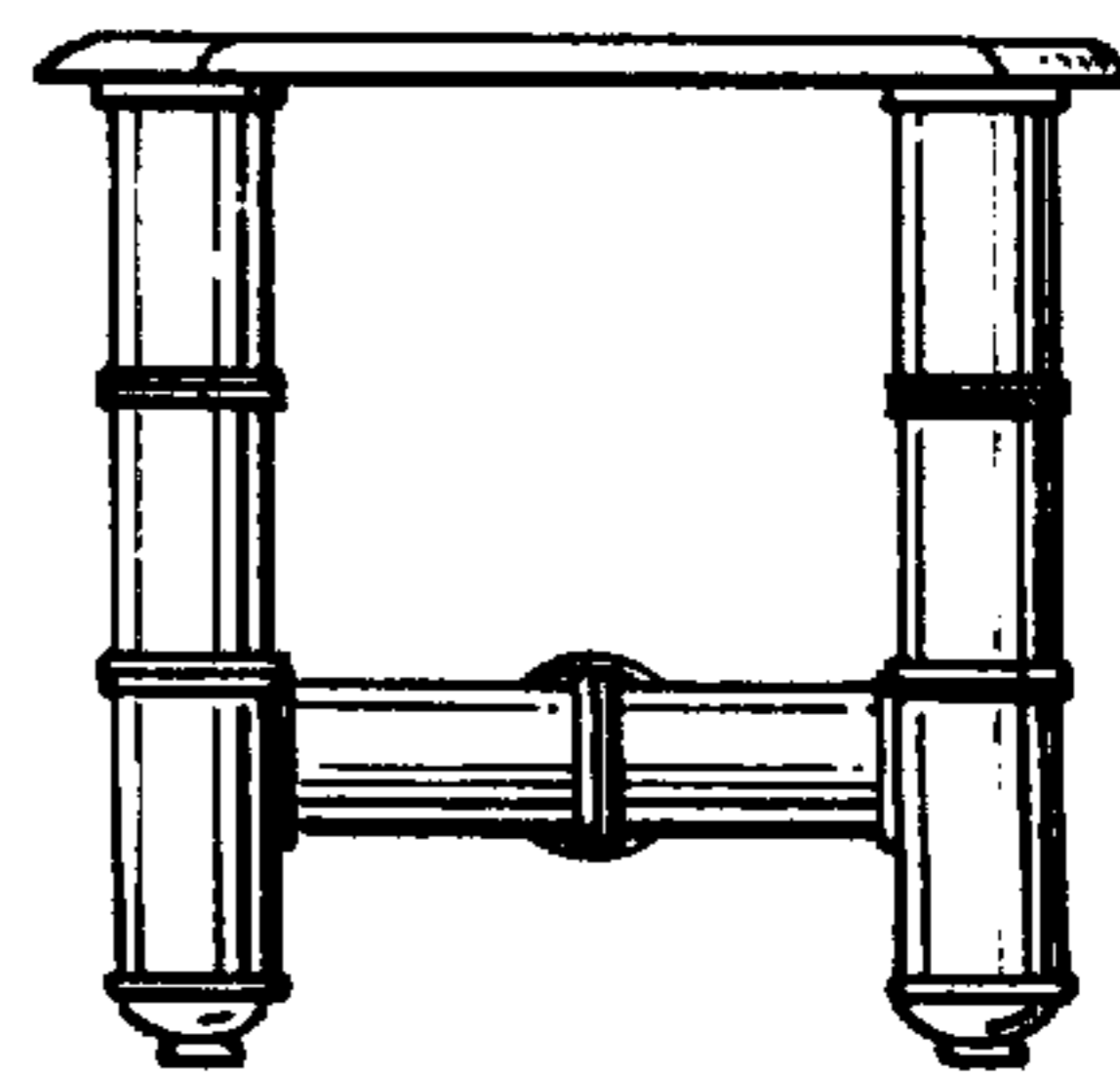


FIG. 3

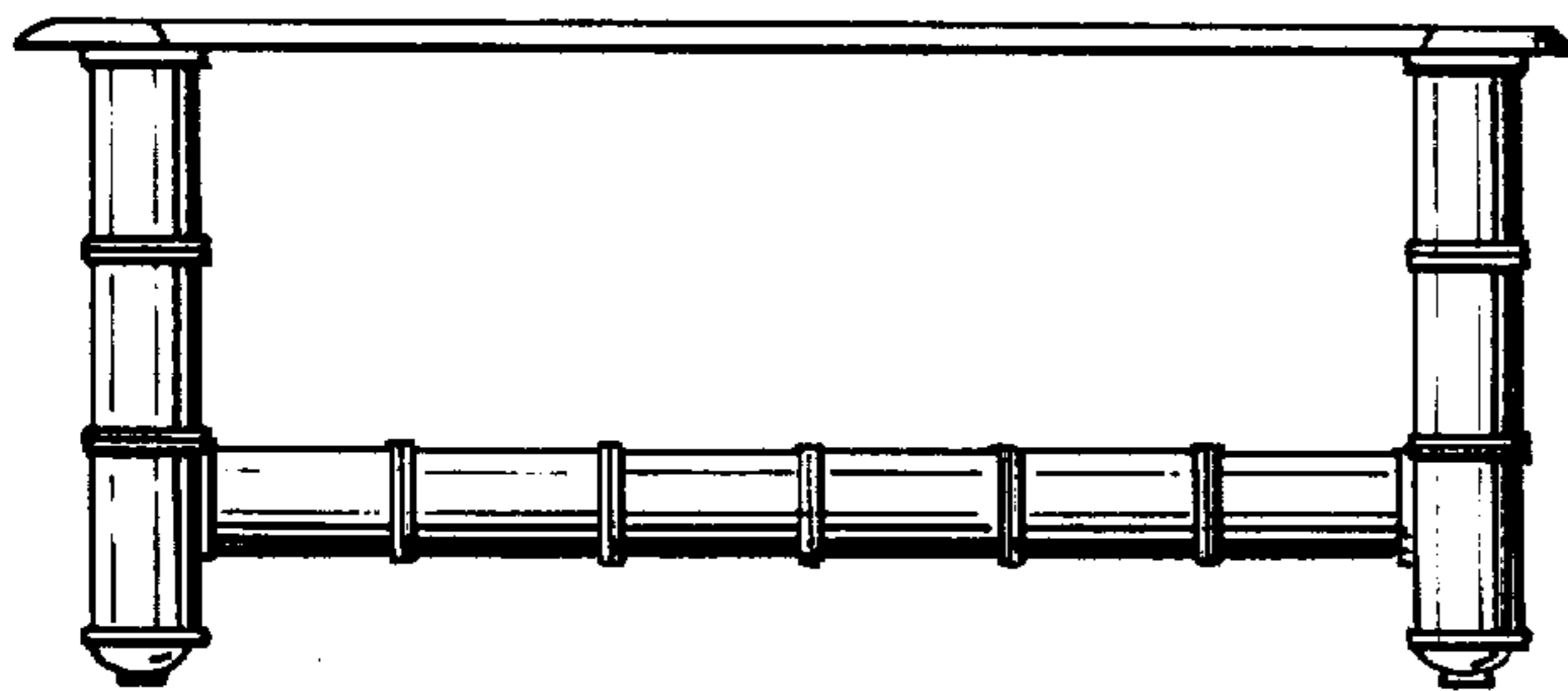


FIG. 4

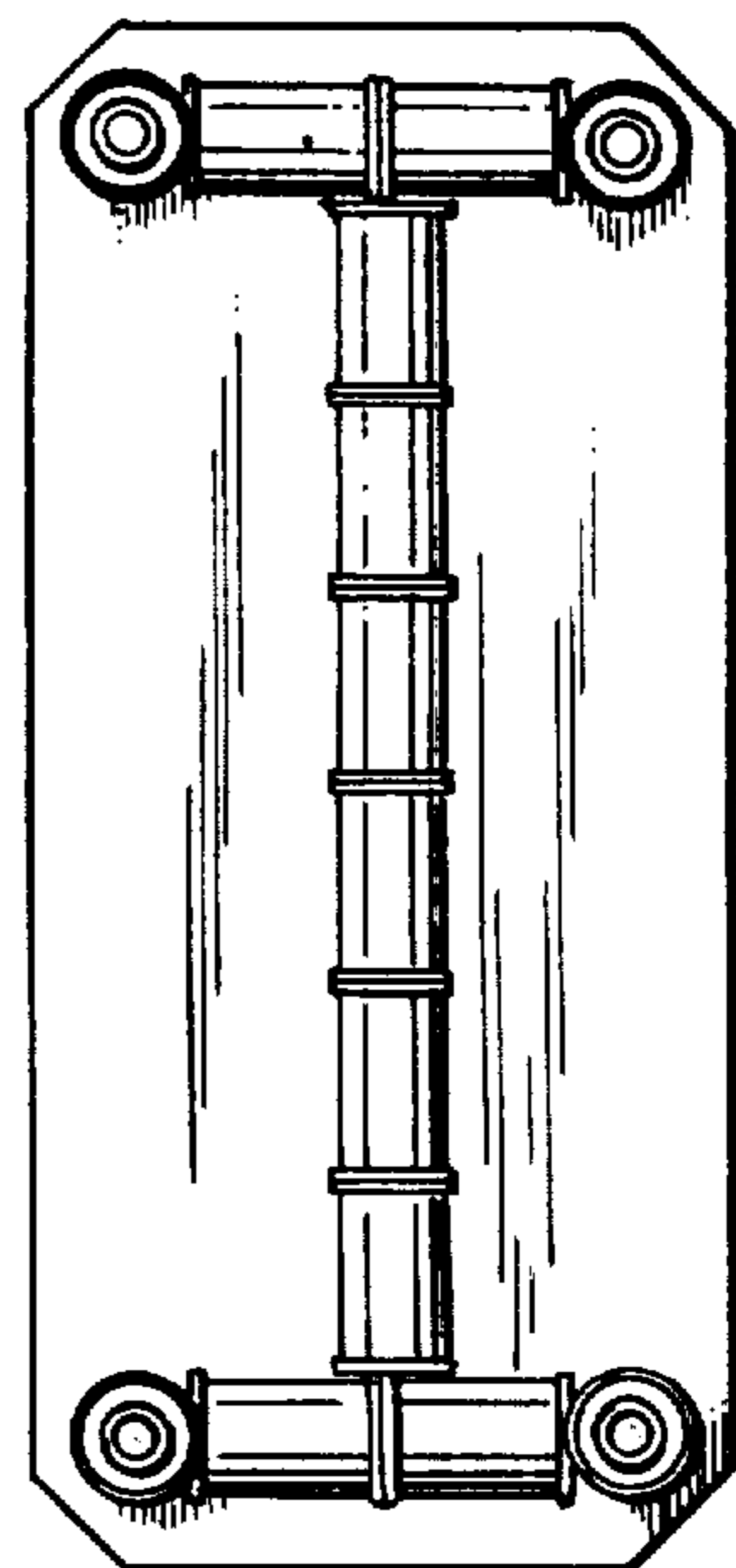


FIG. 5