

[54] OVERBED TABLE

[75] Inventors: Richard Sonder; Joseph L. Russo, both of New York, N.Y.

[73] Assignee: Thonet Industries, Inc., York, Pa.

[**] Term: 14 Years

[21] Appl. No.: 98,170

[22] Filed: Nov. 28, 1979

[51] Int. Cl. D6-03

[52] U.S. Cl. D6/138

[58] Field of Search D6/20, 26, 27, 28, 29, D6/30, 31, 146, 138, 175, 177, 178, 179; 108/102, 106, 5, 144, 149, 150; 248/188.7

[56] References Cited

U.S. PATENT DOCUMENTS

- D. 122,925 10/1940 Holden et al. D6/29
- D. 132,098 4/1942 Corbett D6/138
- D. 198,168 5/1964 Armstrong D6/29

- D. 246,880 1/1978 Miola D6/27 X
- D. 247,034 1/1978 Brodmann D6/29 X
- 3,994,461 11/1976 Dorantes 108/150 X

OTHER PUBLICATIONS

The Washington Post, July 15, 1941, "Adjust-O-Matic" Table, The Hecht Co., Adv.
Aloe Scientific Cat. No. 189, ©1957, p. 188, Rack No. A, top left by Mayo.

Primary Examiner—Bruce W. Dunkins
Attorney, Agent, or Firm—Gregory J. Battersby

[57] CLAIM

The ornamental design for an overbed table, as shown.

DESCRIPTION

FIG. 1 is a front perspective view illustrating the overbed table of the present invention; FIG. 2 is a side view thereof; FIG. 3 is a top view thereof; FIG. 4 is an end view thereof; and FIG. 5 is an opposite end view thereof.

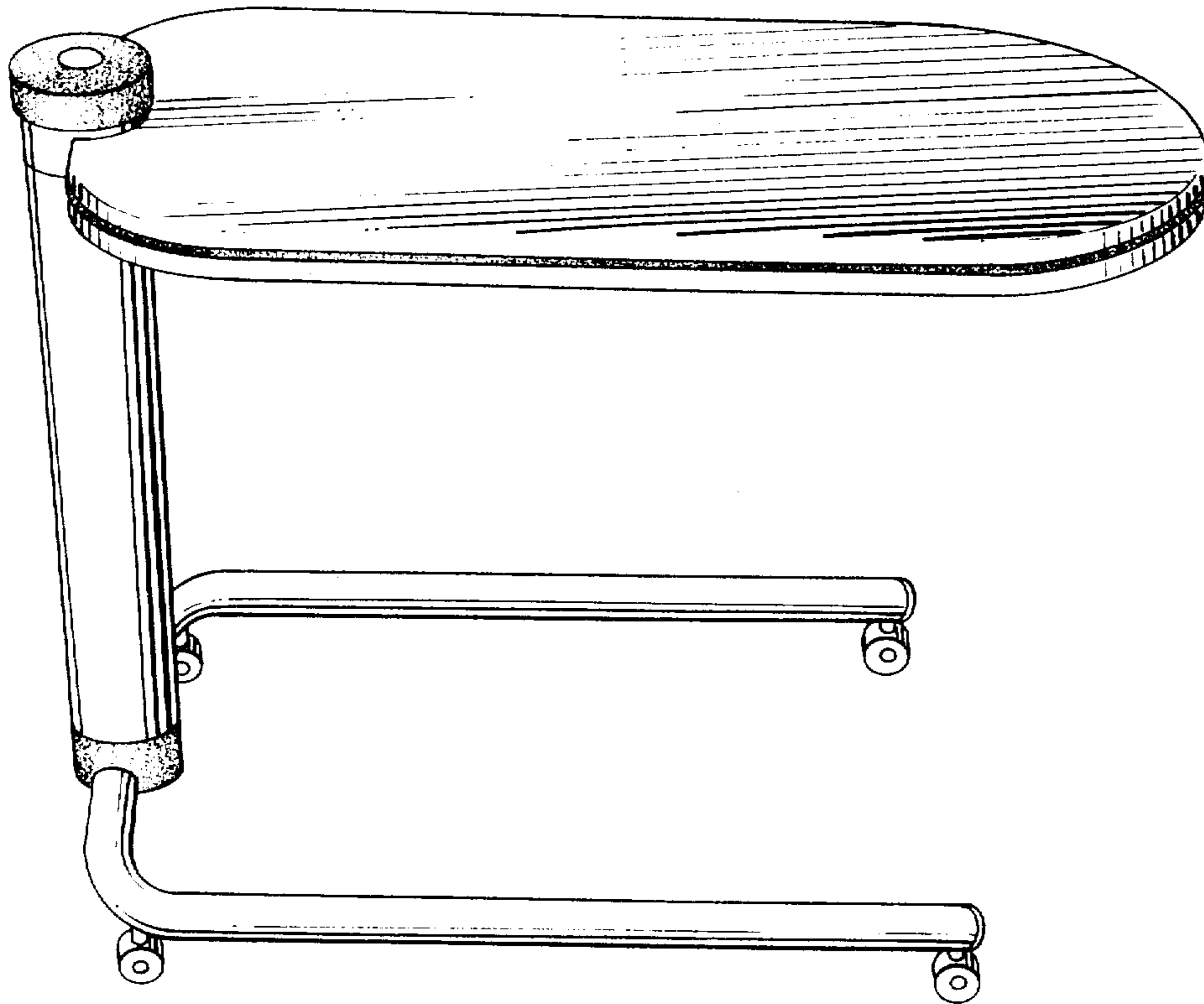


Fig. 1.

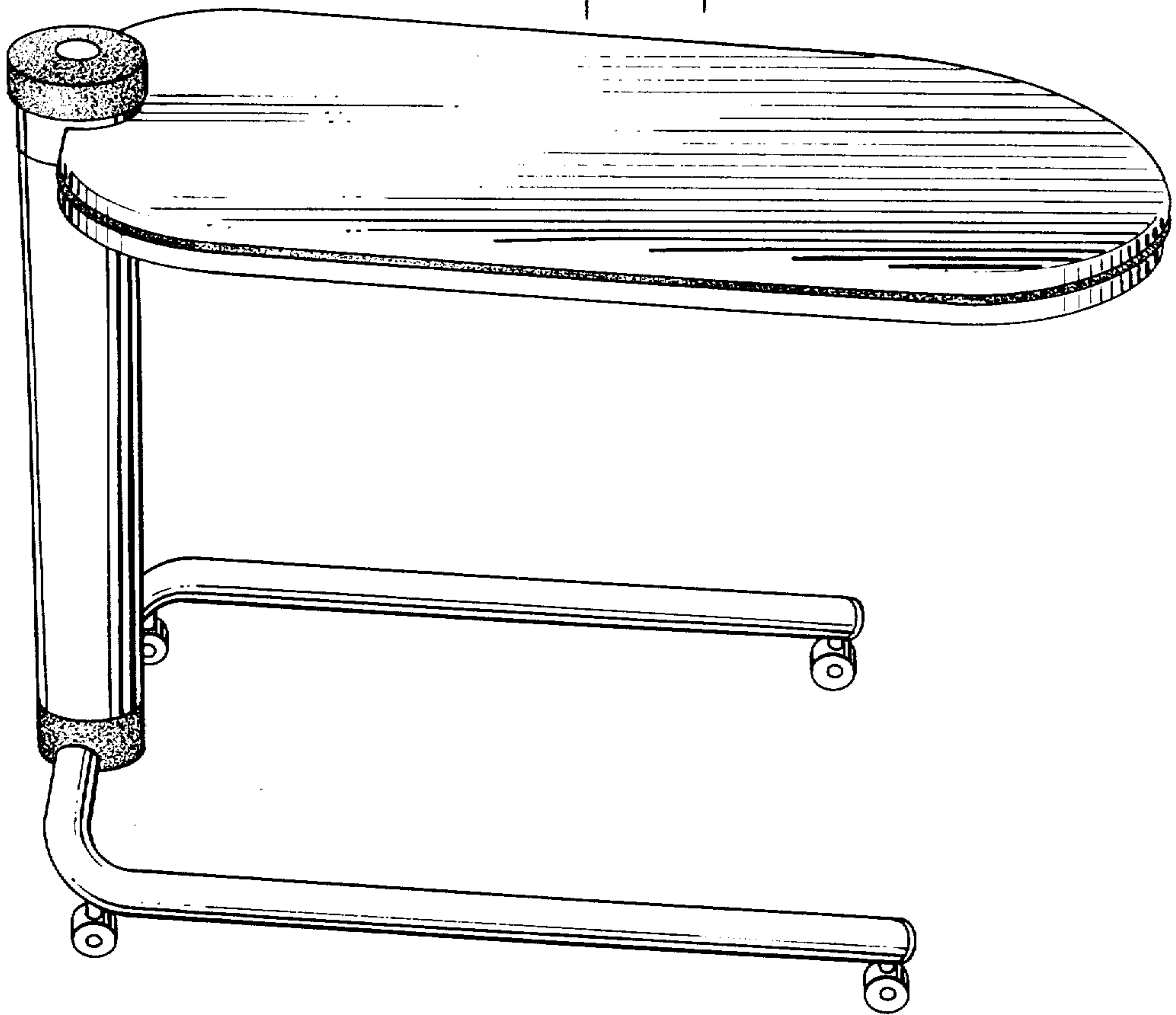


Fig. 4.

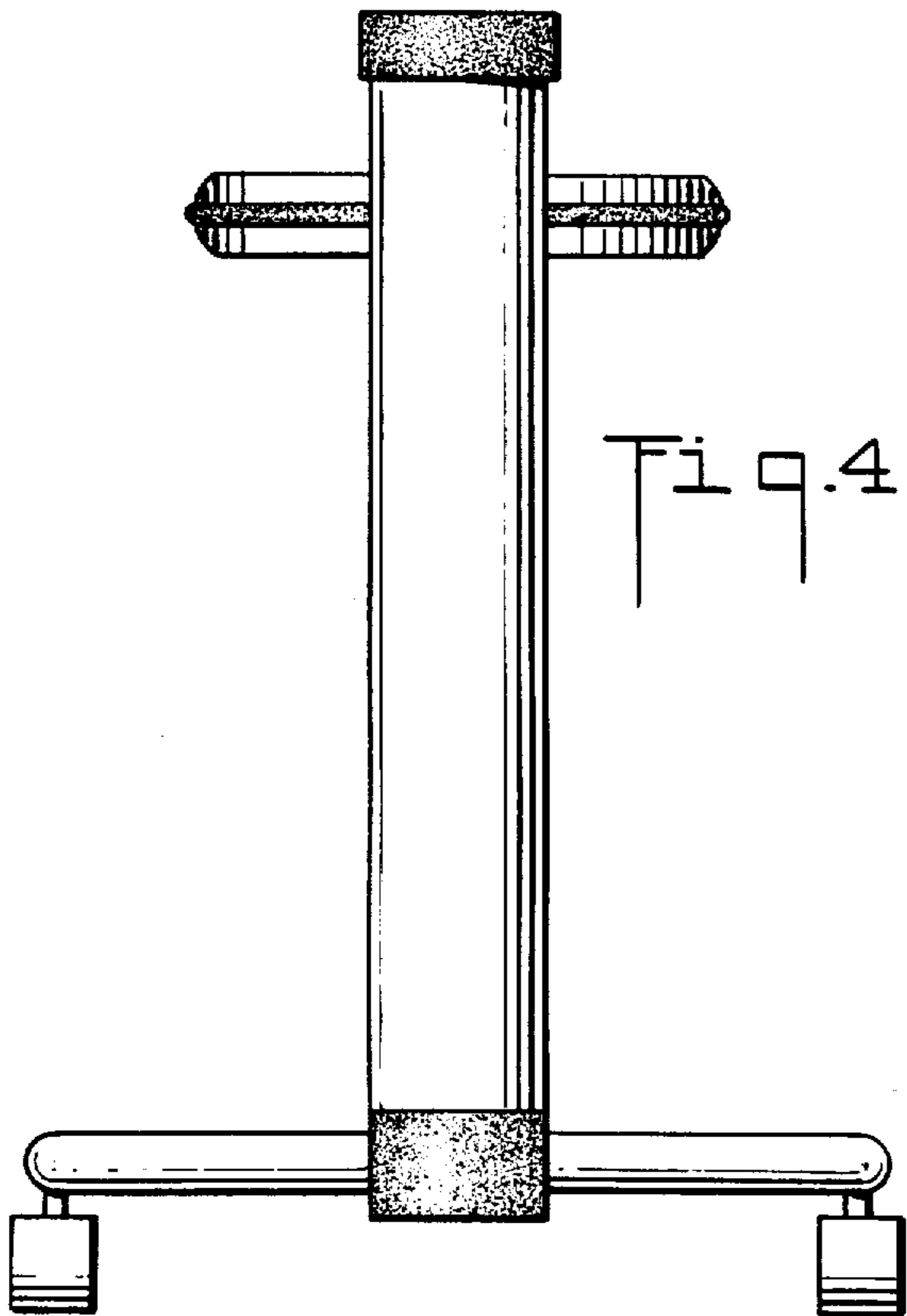


Fig. 5.

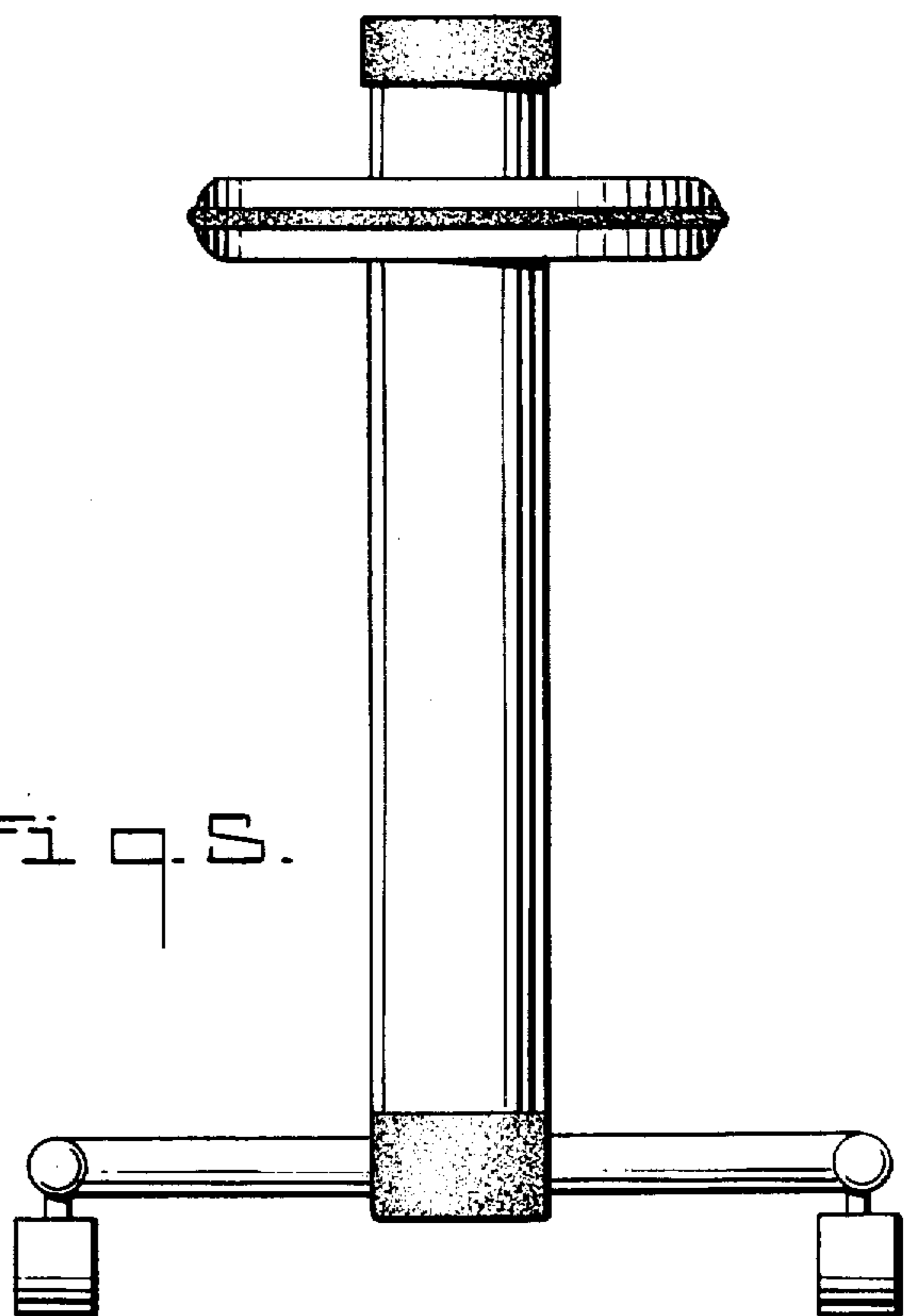


Fig. 2.

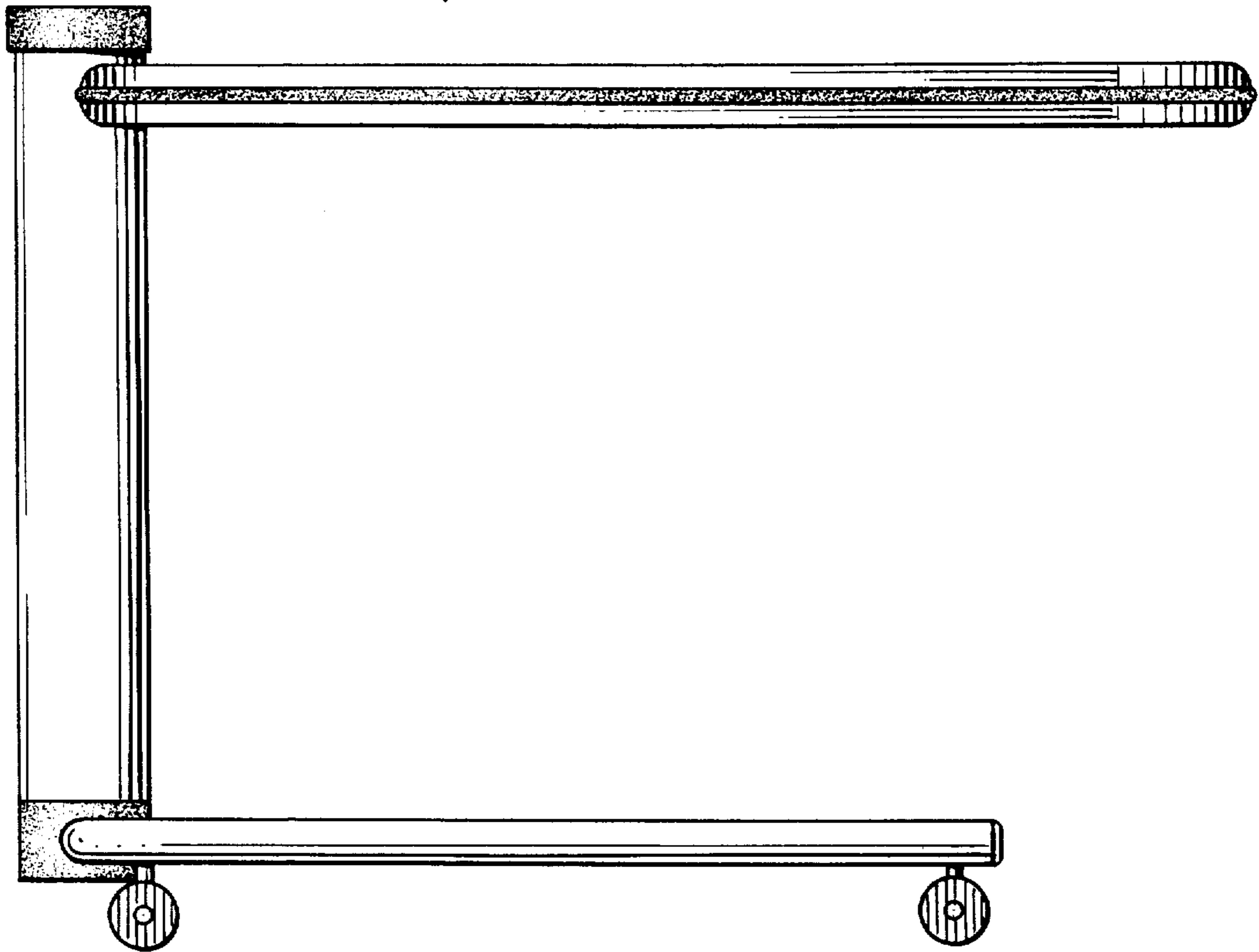


Fig. 3.

