

[54] COMBINED SWIVEL SEAT AND STORAGE BOX OR THE LIKE

D. 256,299 8/1980 MacCready D6/48
2,989,115 6/1961 Egles 297/193 X

[76] Inventor: Harris A. Stebbins, 10127 Fraser Rd., Jacksonville, Fla. 32202

Primary Examiner—Bruce W. Dunkins
Attorney, Agent, or Firm—Arthur G. Yeager

[**] Term: 14 Years

[57] CLAIM

[21] Appl. No.: 68,694

The ornamental design for a combined swivel seat and storage box or the like, substantially as shown and described.

[22] Filed: Aug. 22, 1979

[51] Int. Cl. D6—05

[52] U.S. Cl. D6/64

[58] Field of Search D6/47-78;
D12/155, 157; 297/188, 192, 193

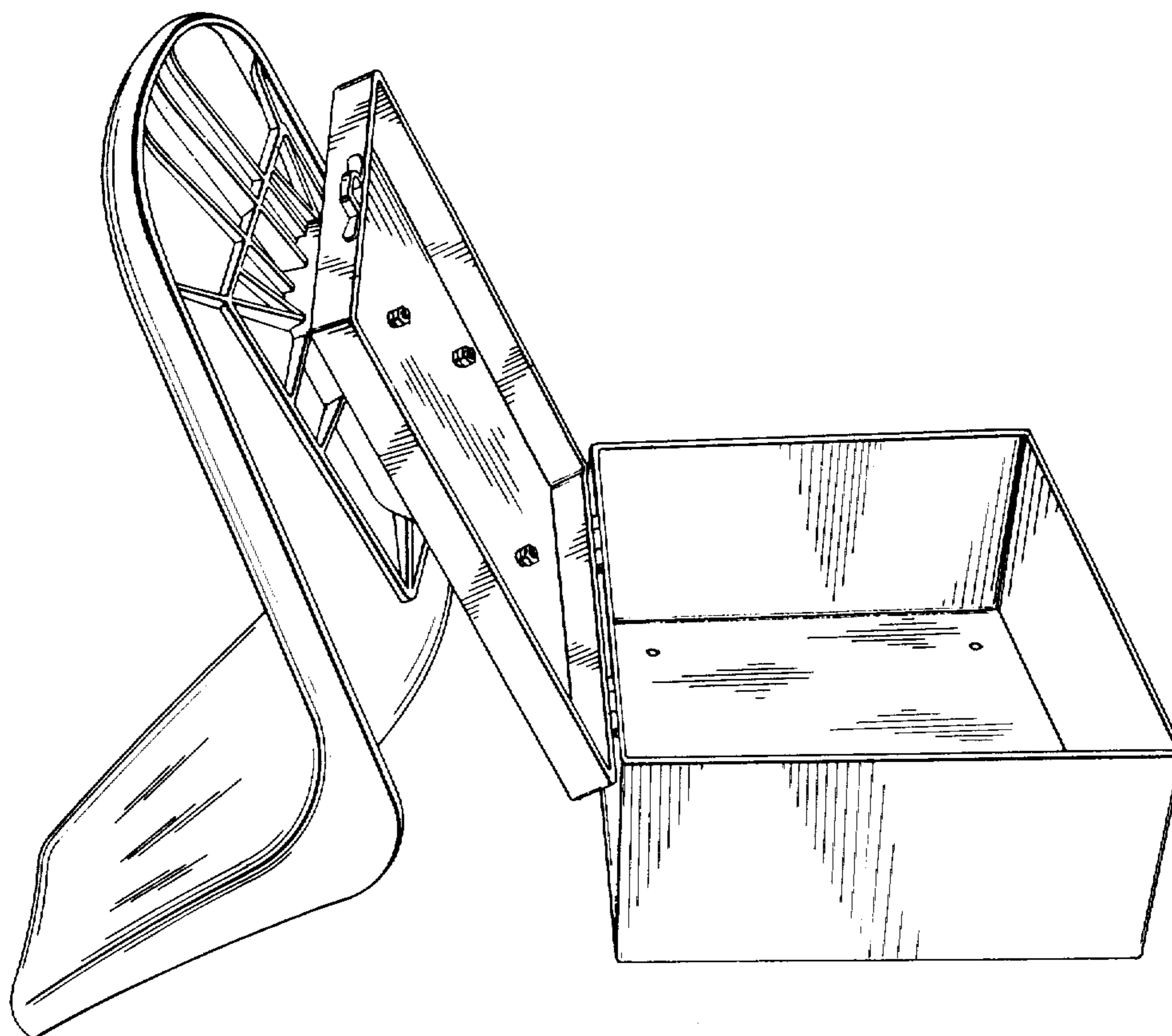
DESCRIPTION

FIG. 1 is a front perspective view of the combined swivel seat and storage compartment primarily used on fishing boats or the like showing my new design; FIG. 2 is a side perspective view thereof showing the storage compartment in open condition; FIG. 3 is a front elevational view thereof; FIG. 4 is a left side elevational view thereof; FIG. 5 is a top plan view thereof; FIG. 6 is a rear elevational view thereof; and FIG. 7 is a bottom plan view thereof.

[56] References Cited

U.S. PATENT DOCUMENTS

- D. 173,828 1/1955 Ziebell D6/64
- D. 197,558 2/1964 Sokolis D6/64
- D. 199,304 10/1964 Rhoades D6/48 X
- D. 245,297 8/1977 Curtin D6/64



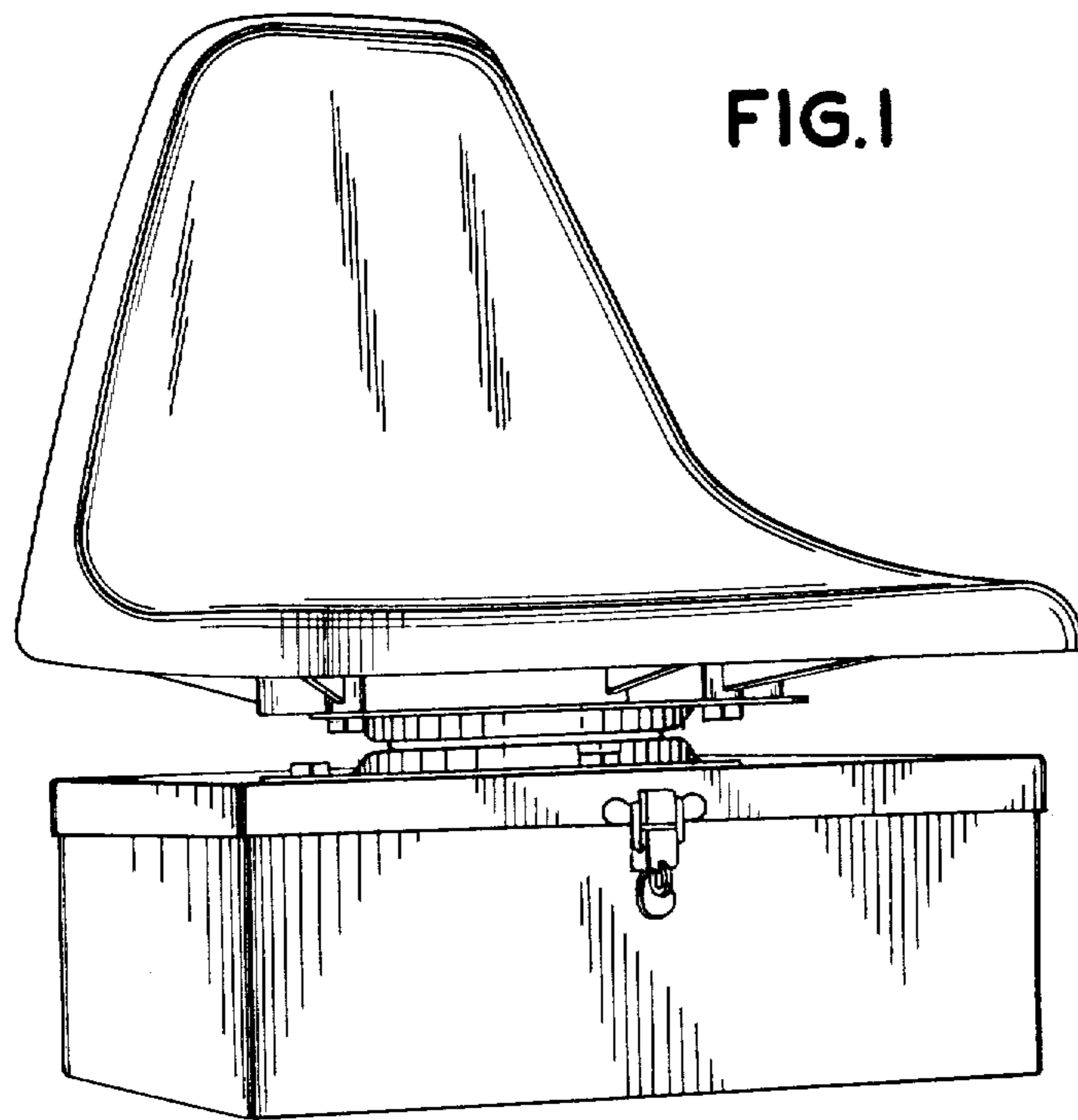


FIG. 1

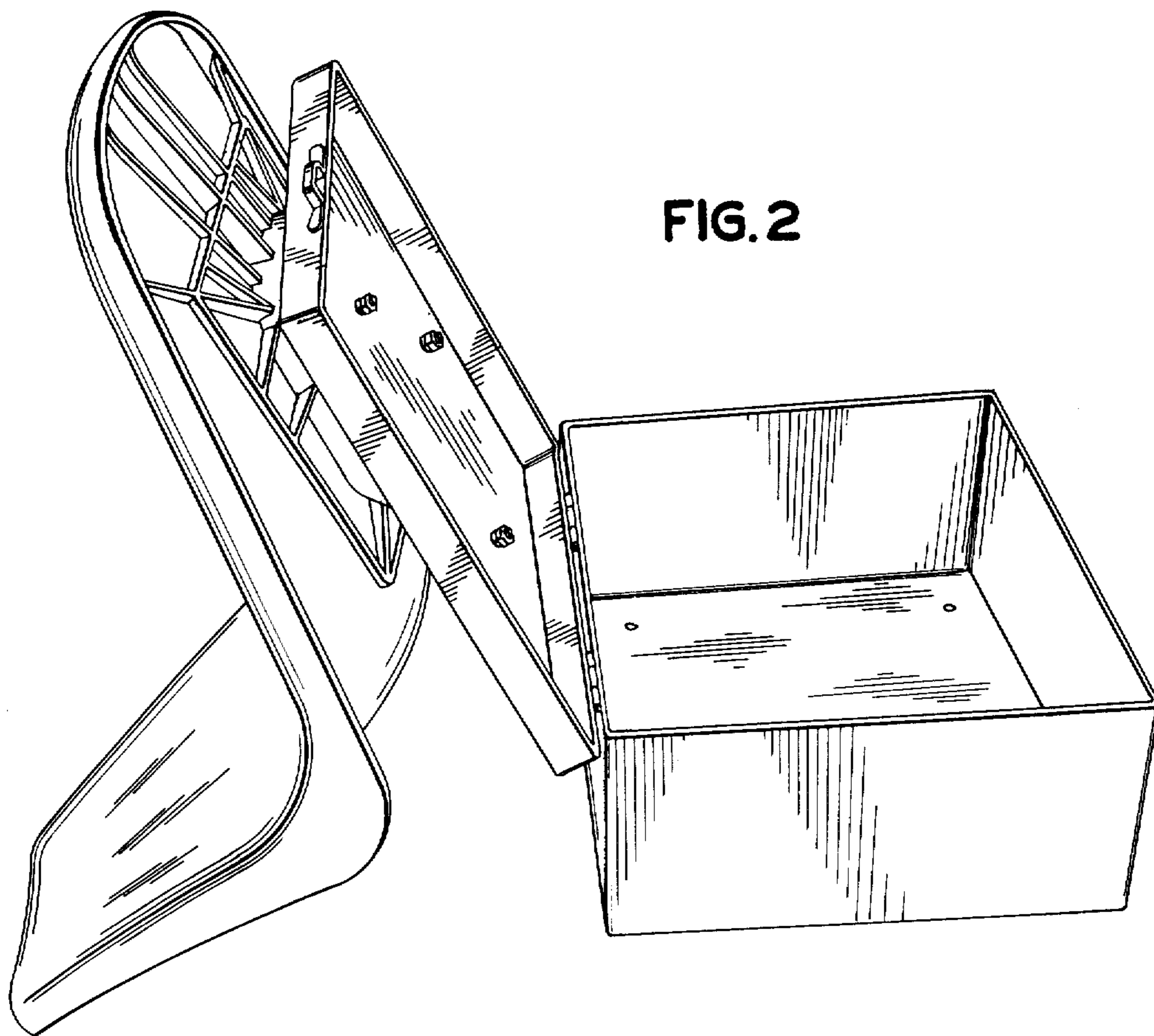


FIG. 2

FIG.3

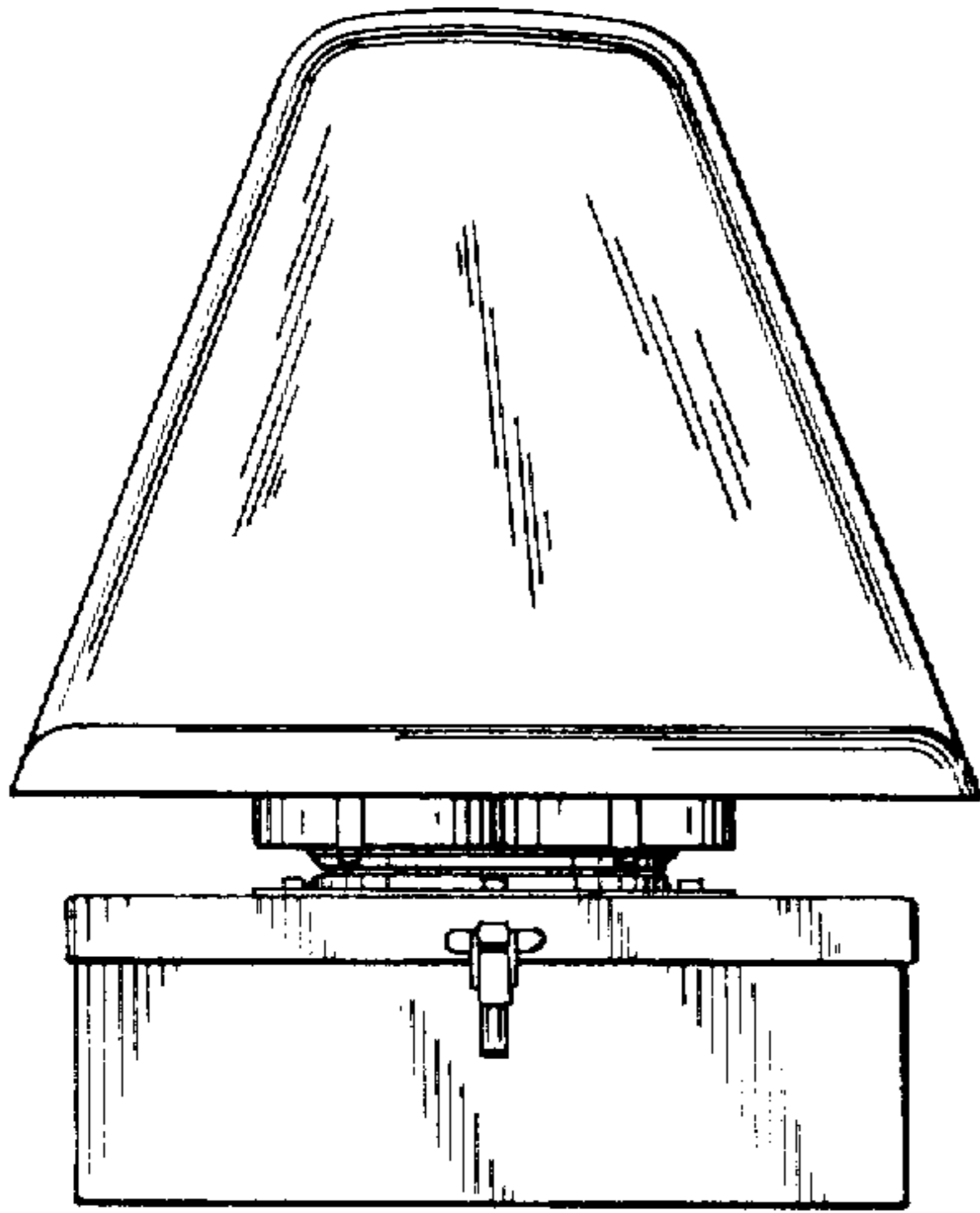


FIG.4

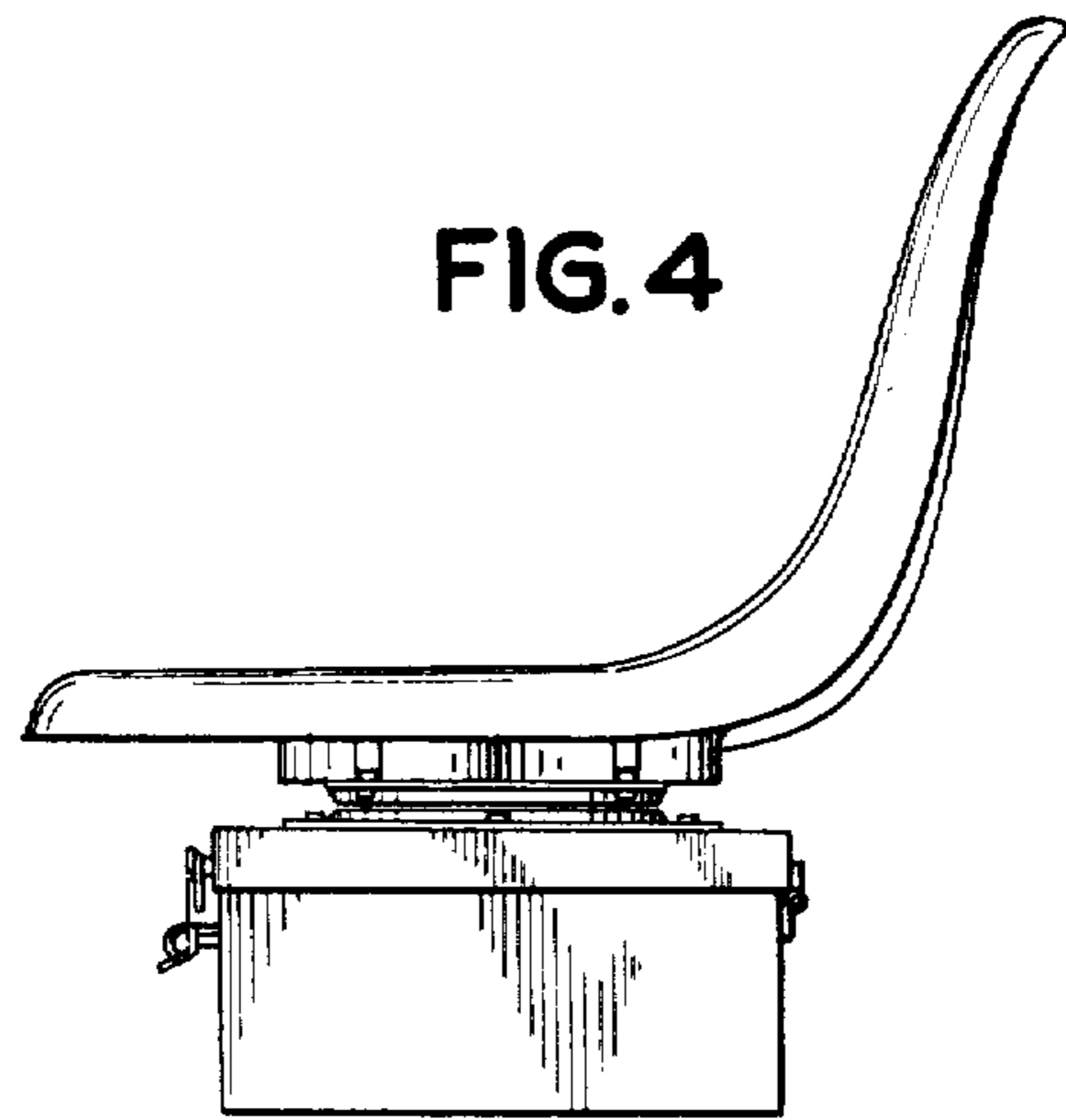


FIG.5

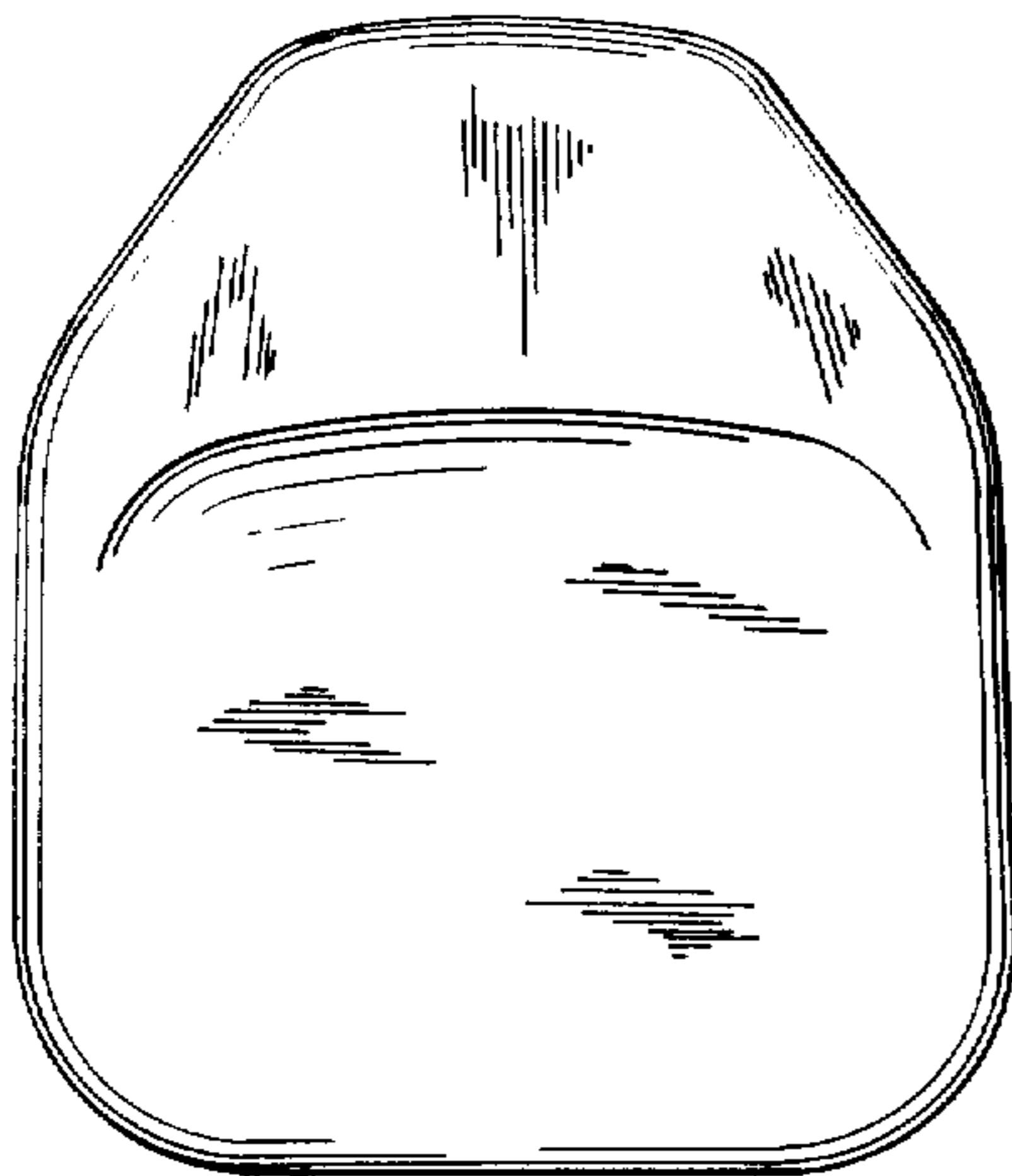


FIG.6

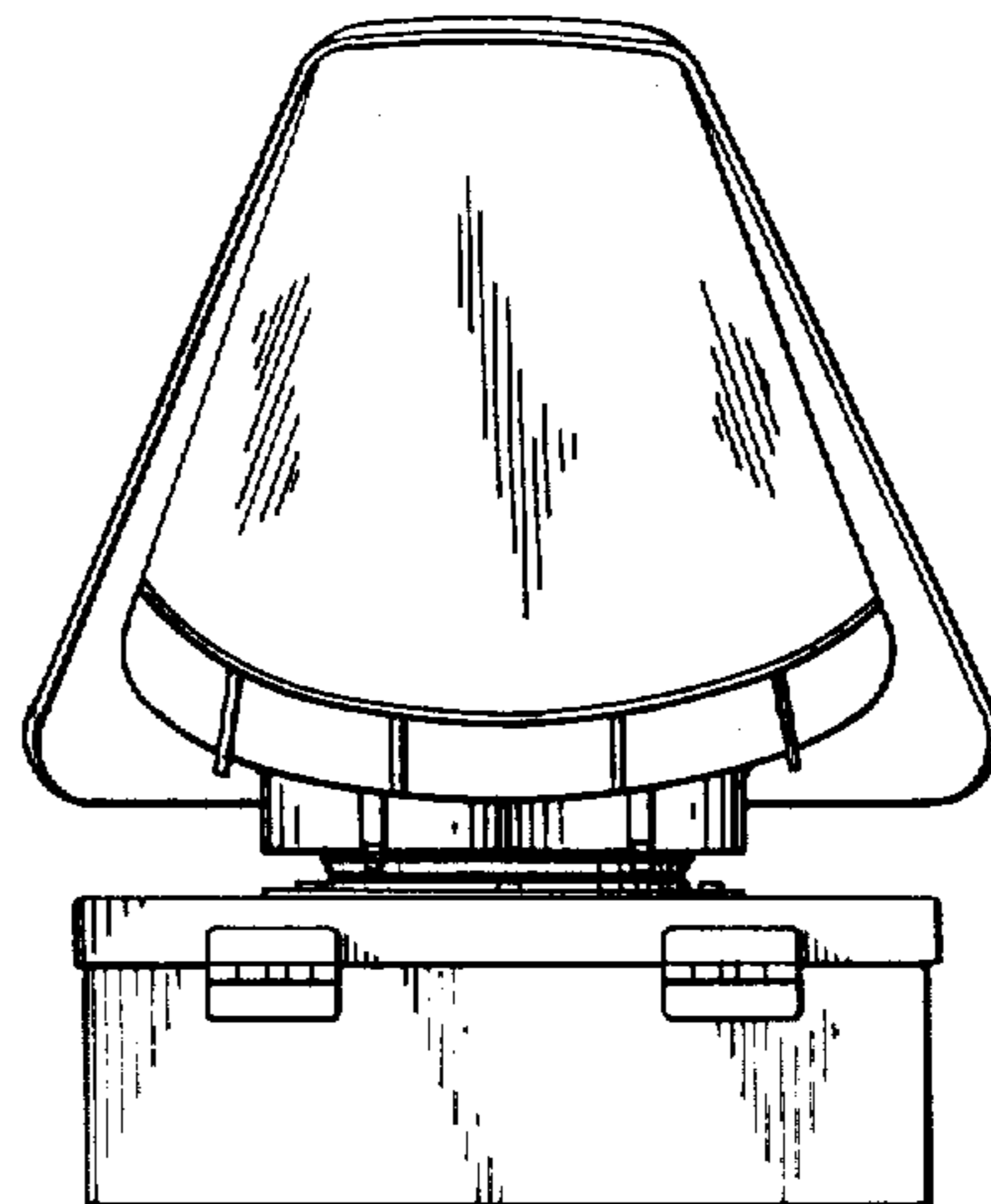


FIG.7

