

- [54] PORTABLE VANITY CASE
- [75] Inventors: **Mason Benson**, Red Bank; **James K. McIntosh**, Somerset, both of N.J.
- [73] Assignee: **Carolina Enterprises, Inc.**, New York, N.Y.
- [\*\*] Term: **14 Years**
- [21] Appl. No.: **85,195**
- [22] Filed: **Oct. 16, 1979**
- [51] Int. Cl. .... **D3-02**
- [52] U.S. Cl. .... **D3/39; D3/38; D3/74**
- [58] Field of Search ..... **D3/30, 33, 35, 39, 78, D3/72, 74; 206/542, 581; 132/79 F, 79 G**

D. 234,164	1/1975	Swayze	.....	D3/33
D. 252,960	9/1979	Faust	.....	D3/39
1,944,502	1/1934	Factor	.....	132/79 G
4,119,107	10/1978	Pinzone	.....	132/79 G

*Primary Examiner*—George P. Word  
*Attorney, Agent, or Firm*—Kirschstein, Kirschstein, Ottinger & Cobrin

[57] **CLAIM**

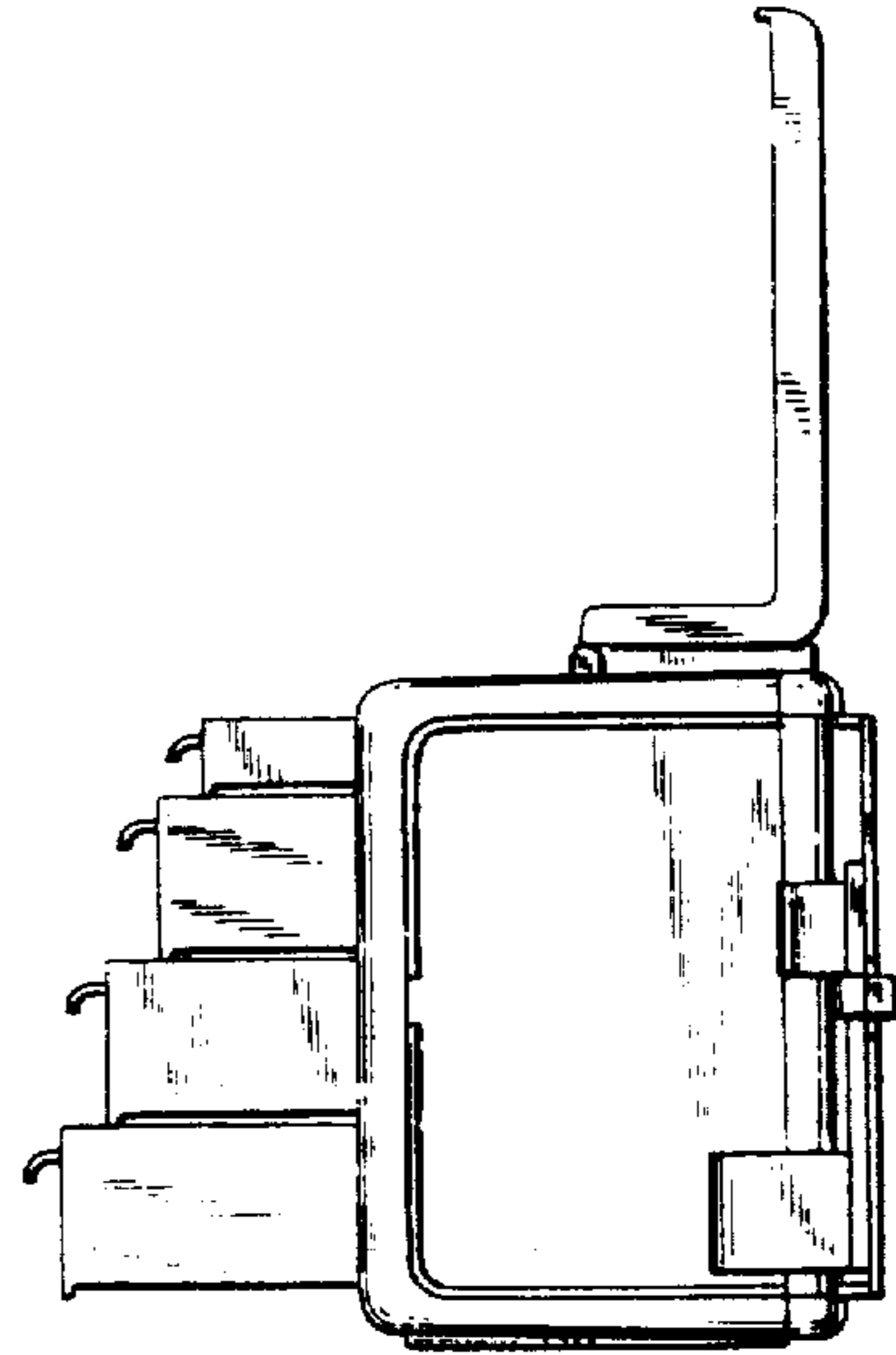
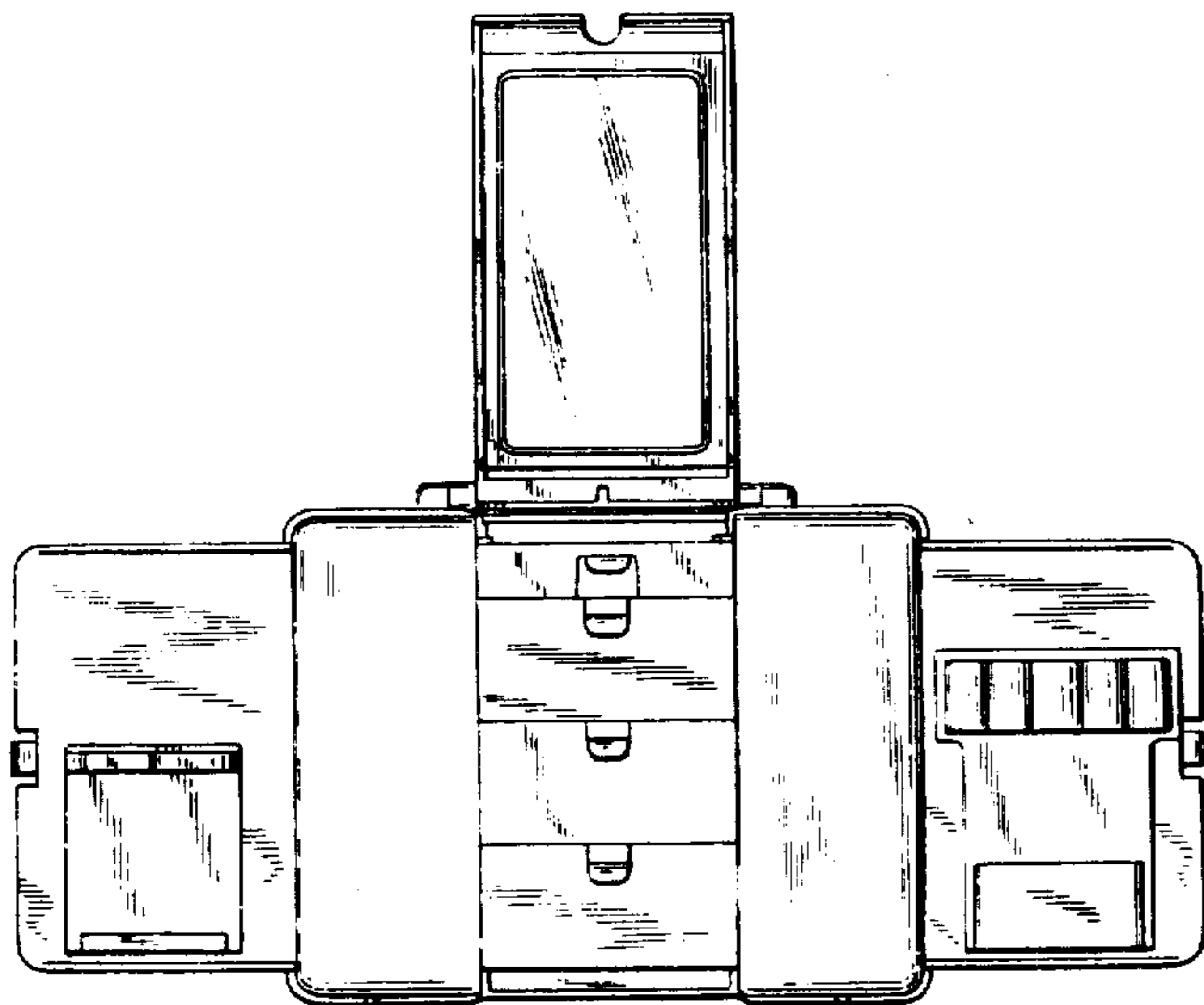
The ornamental design for a portable vanity case, substantially as shown and described.

**DESCRIPTION**

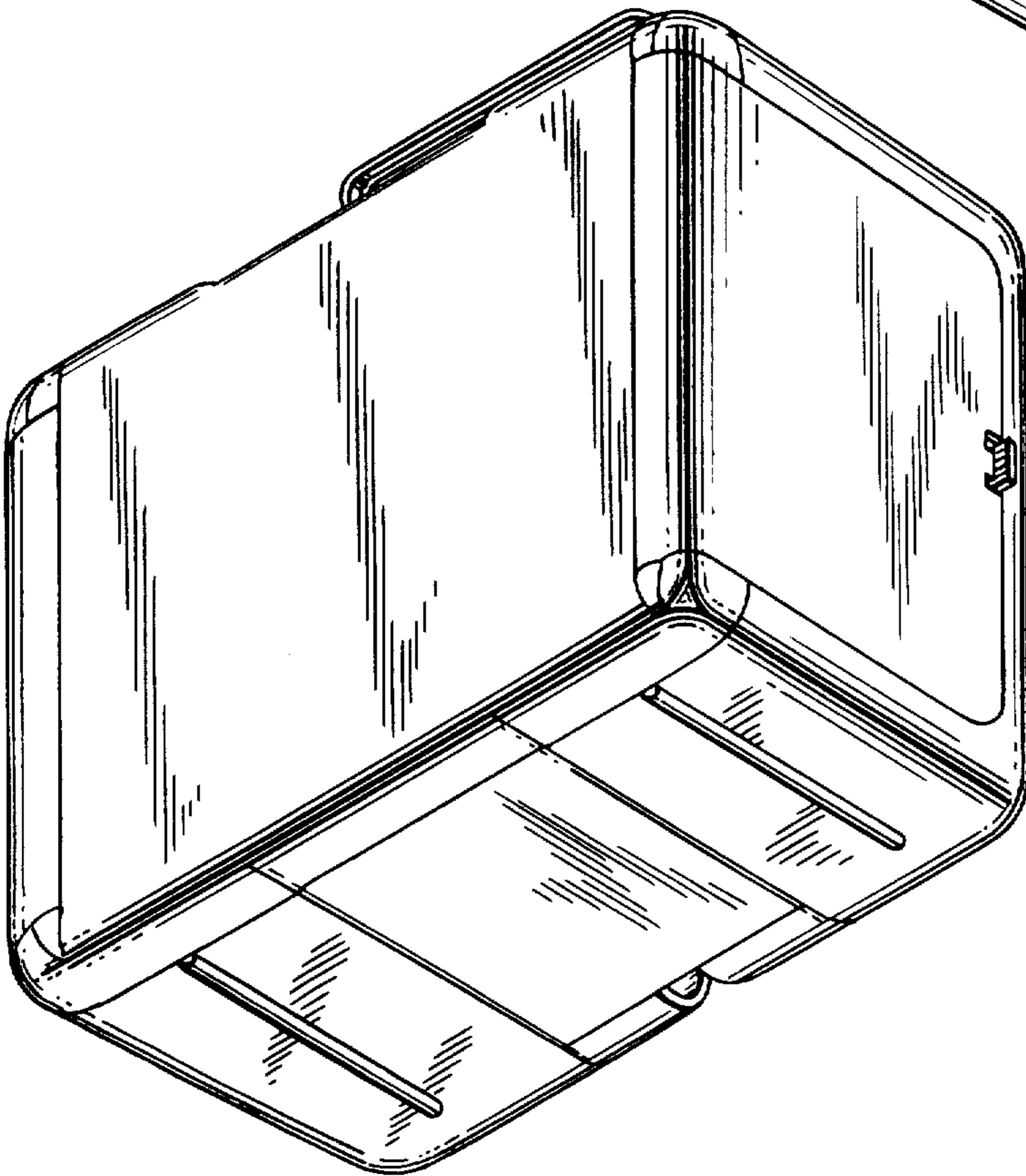
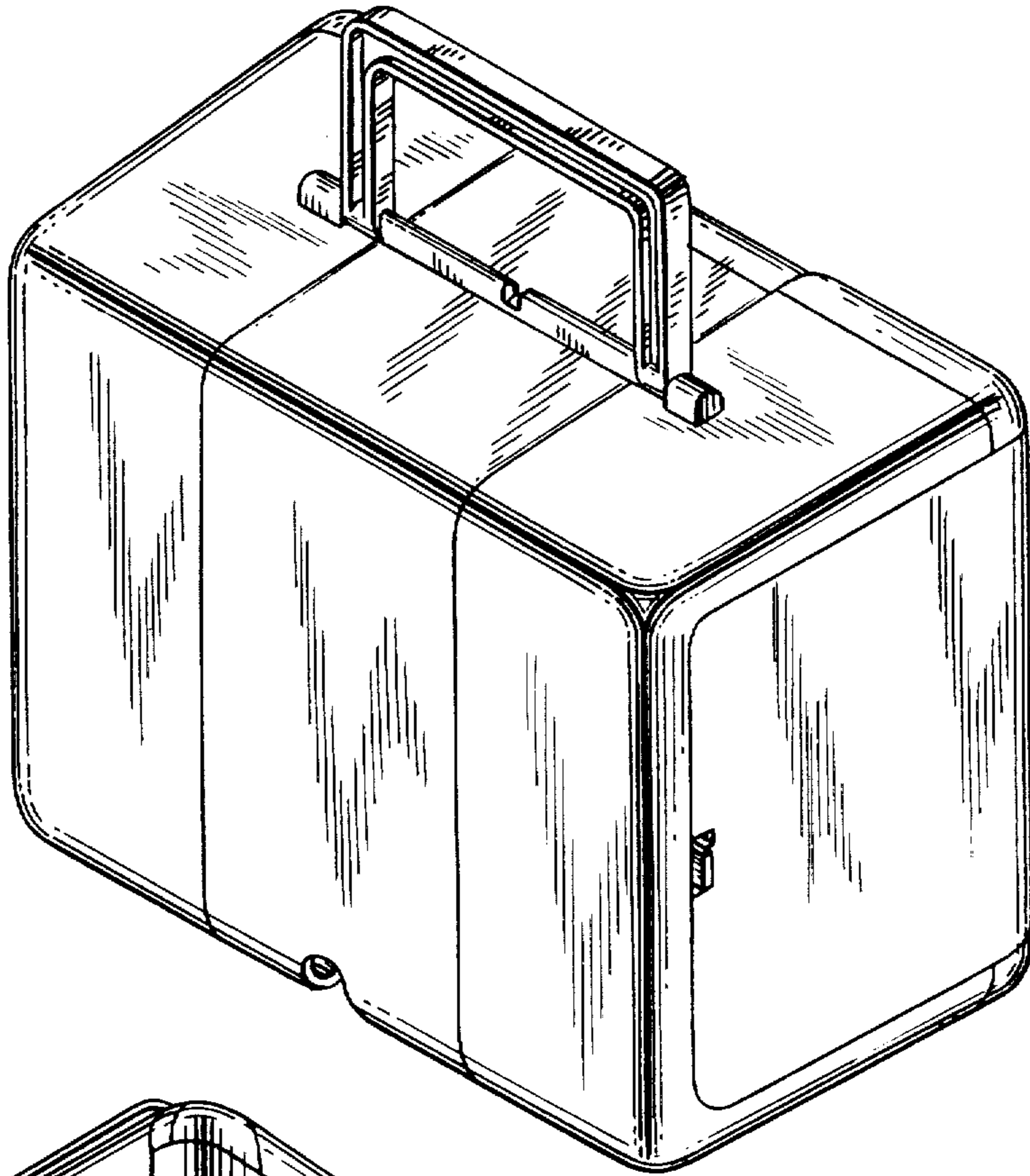
FIG. 1 is a perspective view of a portable vanity case showing our new design;  
 FIG. 2 is a bottom rear perspective view thereof;  
 FIG. 3 is a top plan view thereof, with the doors and drawers open;  
 FIG. 4 is a bottom plan view thereof;  
 FIG. 5 is a front elevational view thereof;  
 FIG. 6 is a right side elevational view thereof;  
 FIG. 7 is a rear elevational view thereof; and  
 FIG. 8 is a left side elevational view thereof.

[56] **References Cited**  
**U.S. PATENT DOCUMENTS**

D. 182,875	5/1958	Brownlie et al.	.....	D3/39
D. 202,160	8/1965	Territo	.....	D3/39
D. 216,853	3/1970	Schurman	.....	D3/72



*FIG. 1*



*FIG. 2*

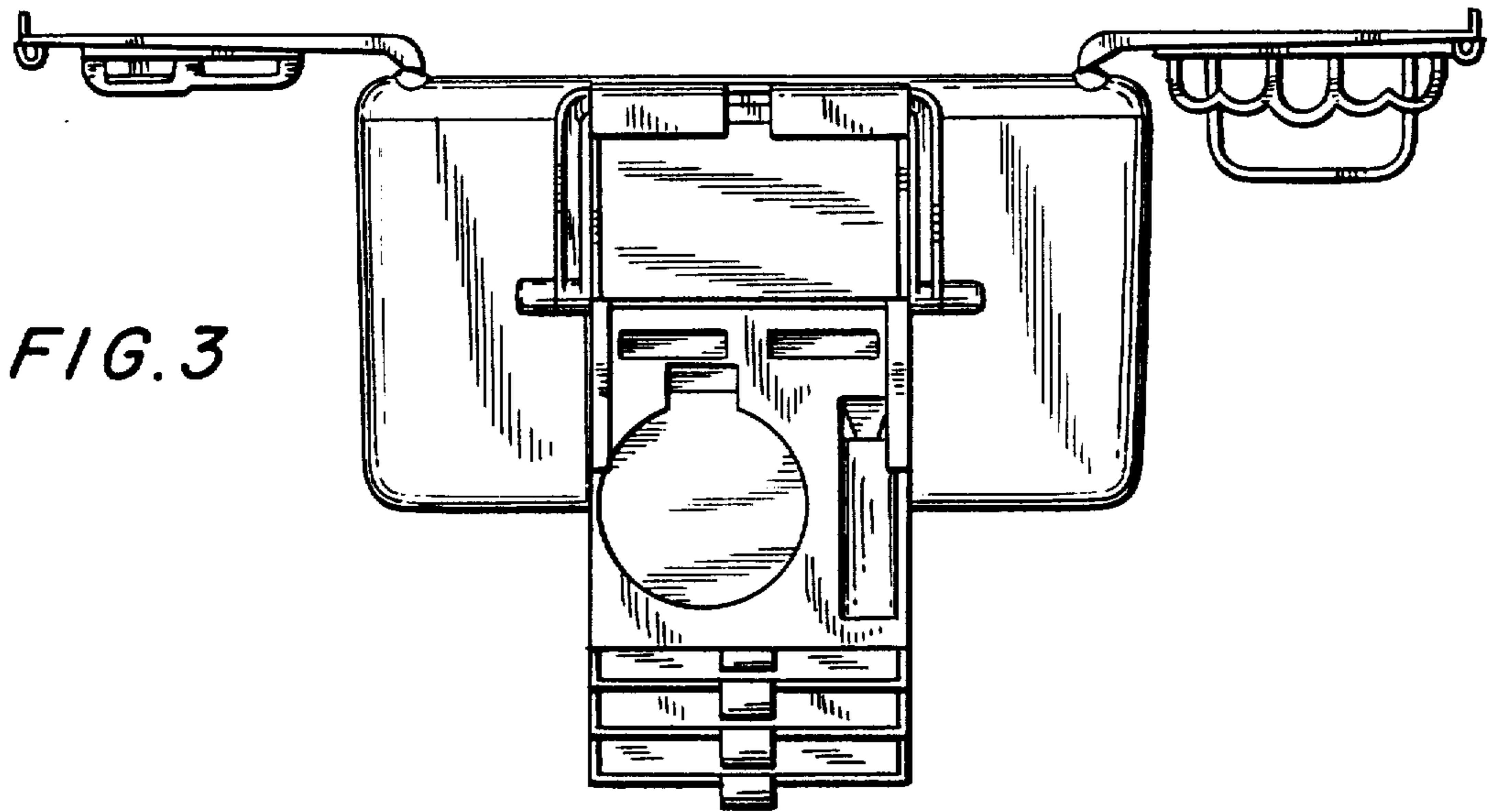


FIG. 3

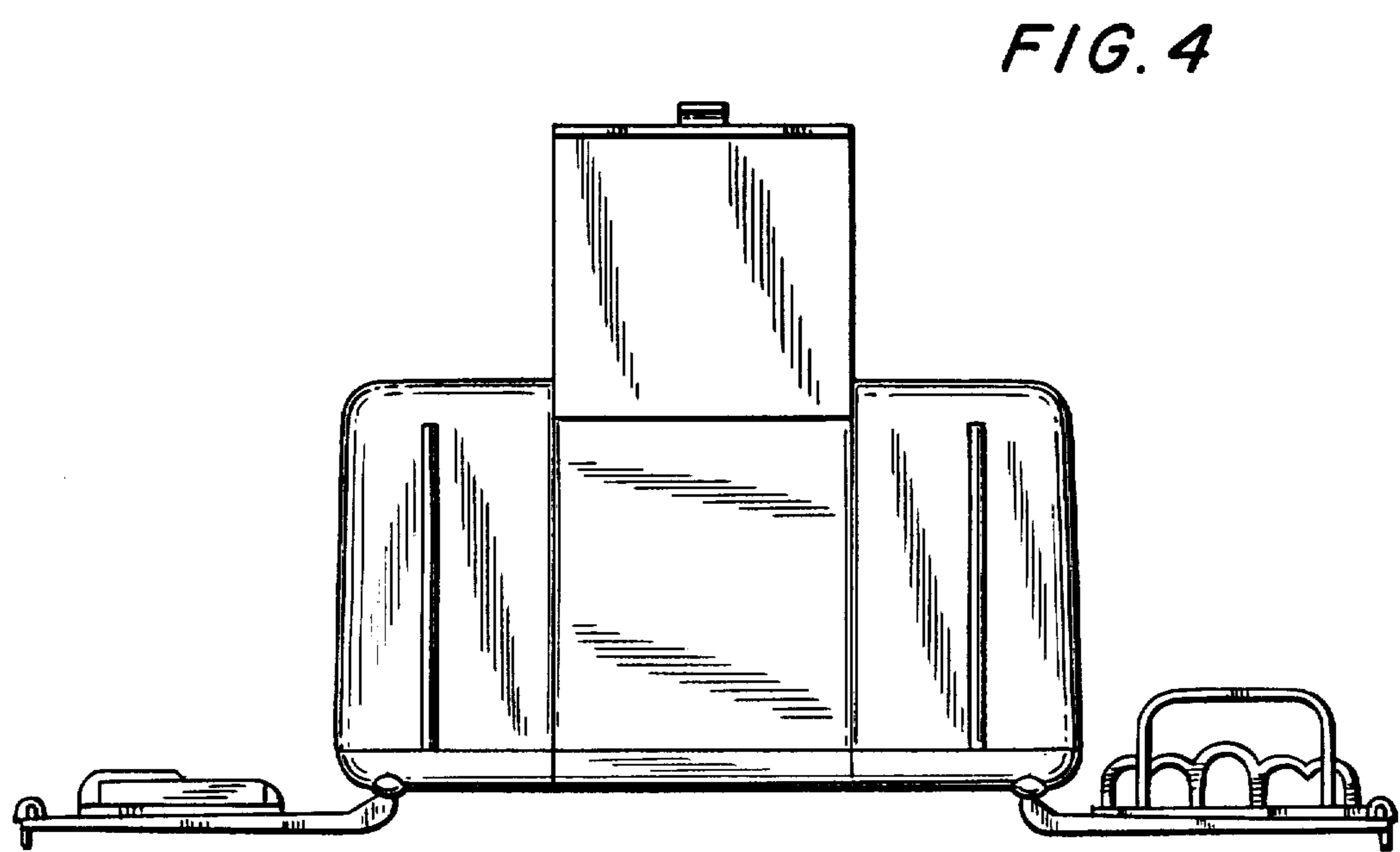


FIG. 4

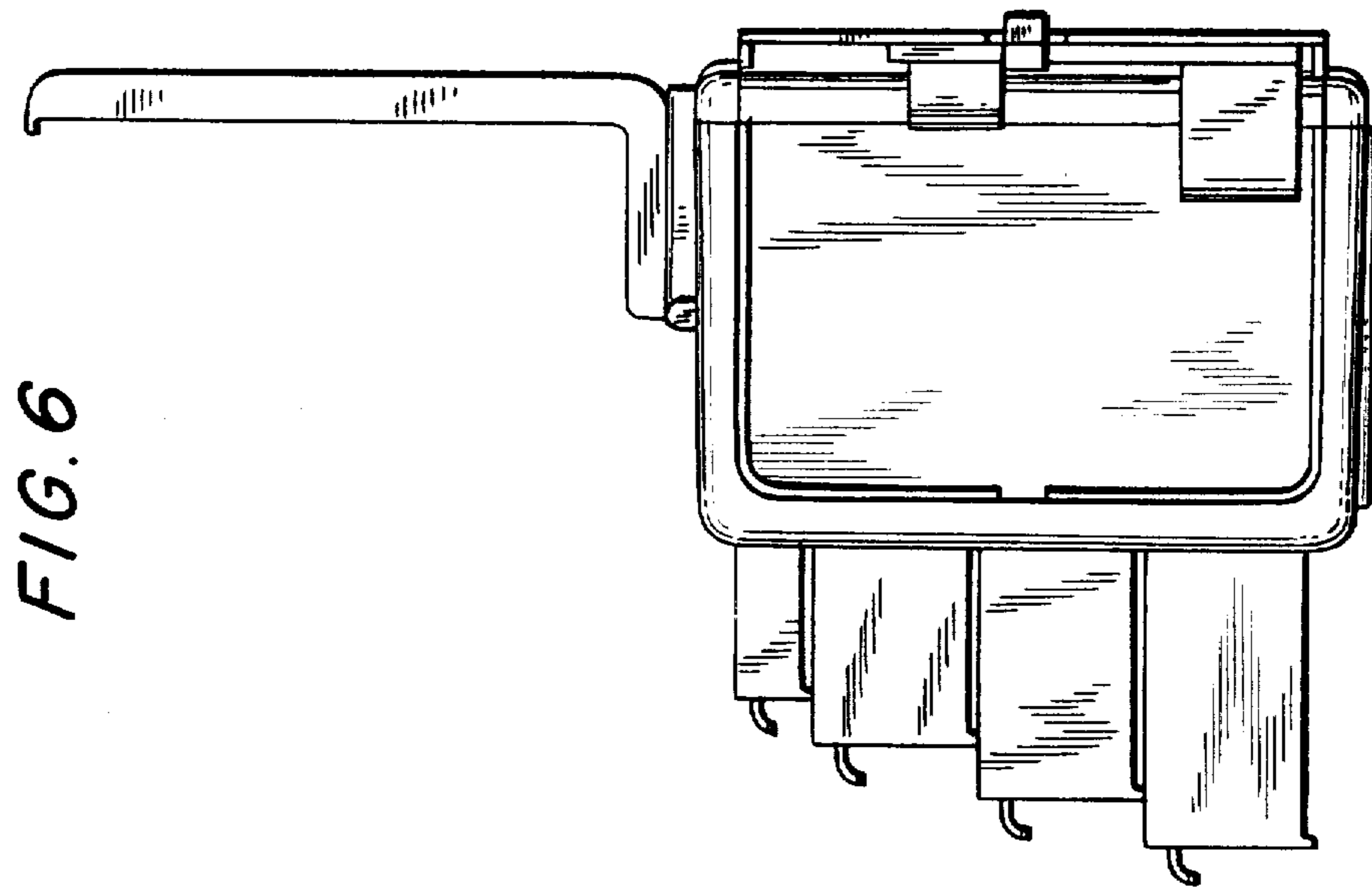


FIG. 6

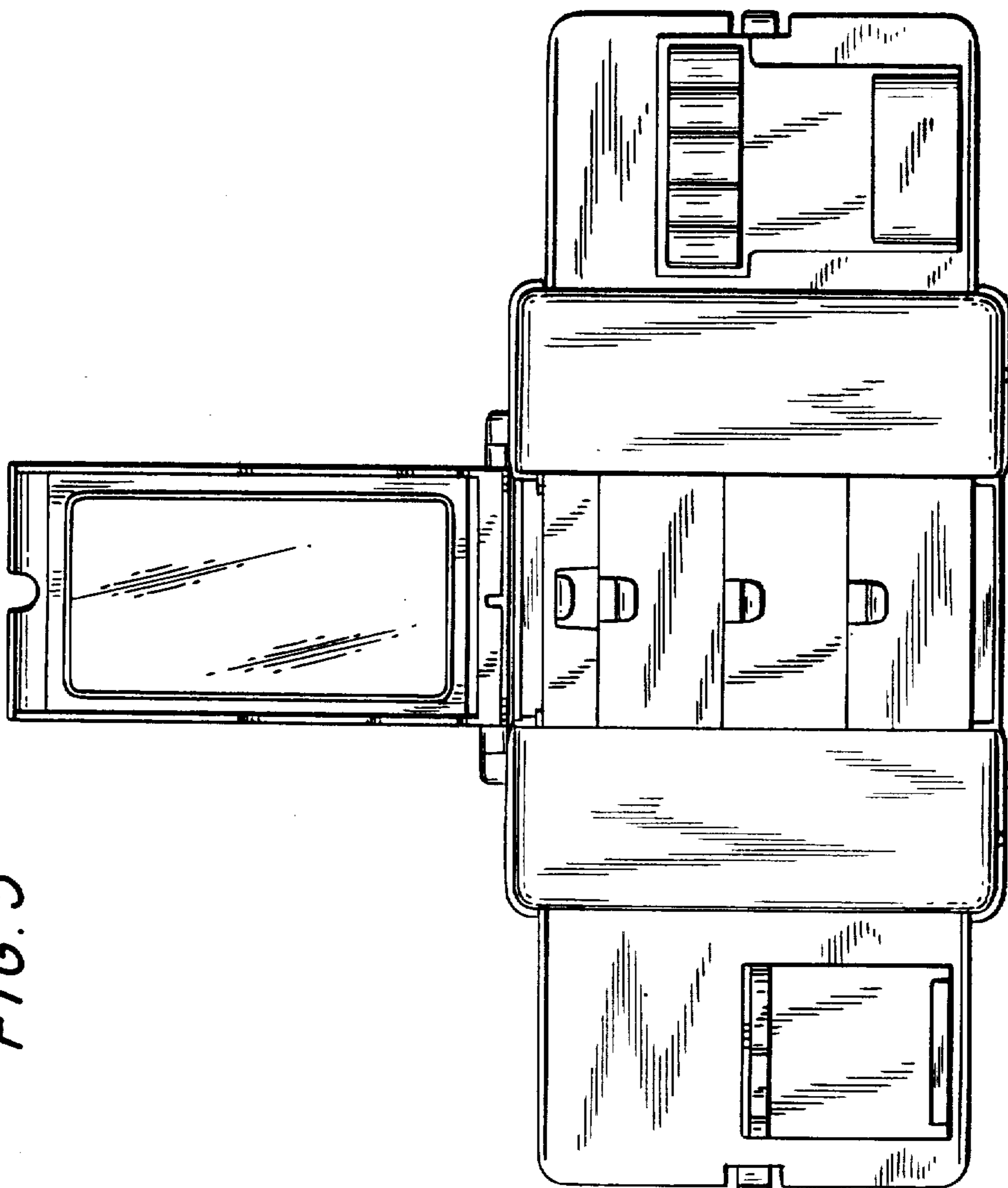


FIG. 5

