

[54] PORTION OF A TONGUE FOR A BUCKLE

D. 250,537 12/1978 Stephens D19/70

[76] Inventor: Don J. Ryon, III, P.O. Box 4250, Fort Worth, Tex. 76106

Primary Examiner—George G. Stellar
Attorney, Agent, or Firm—Arthur F. Zobal

[**] Term: 14 Years

[57] CLAIM

[21] Appl. No.: 57,842

The ornamental design for a portion of a tongue for a buckle, as shown and described.

[22] Filed: Jul. 16, 1979

DESCRIPTION

[51] Int. Cl. D2—07

[52] U.S. Cl. D2/433

[58] Field of Search D2/410, 420-424, D2/430-436, 439, 442, 444, 445, 451; D21/148-155, 166-184, 189, 190, 240; D19/70, 71; D1/18, 22; 24/188, 189

FIG. 1 is a perspective view a portion of a tongue for a buckle showing my new design;

FIG. 2 is a top plan view thereof. The bottom plan view thereof is a mirror image of FIG. 2;

FIG. 3 is a left side elevational view thereof;

FIG. 4 is a right side elevational view thereof;

FIG. 5 is a front elevational view thereof; and

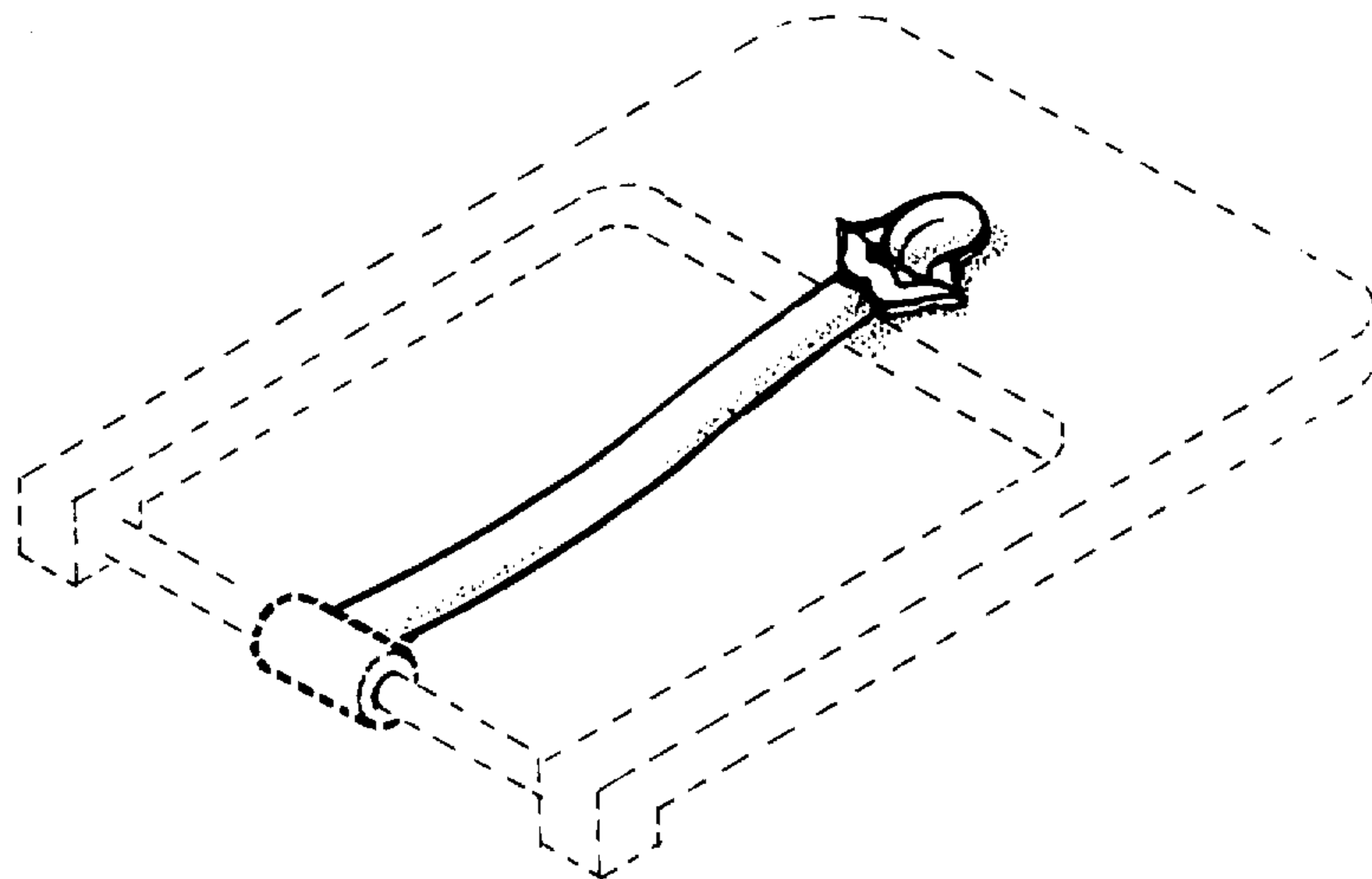
FIG. 6 is a rear elevational view thereof.

In FIGS. 1-6, the dashed lines illustrate the remaining portion of a buckle.

[56] References Cited

U.S. PATENT DOCUMENTS

D. 151,434 10/1948 Eames D21/166



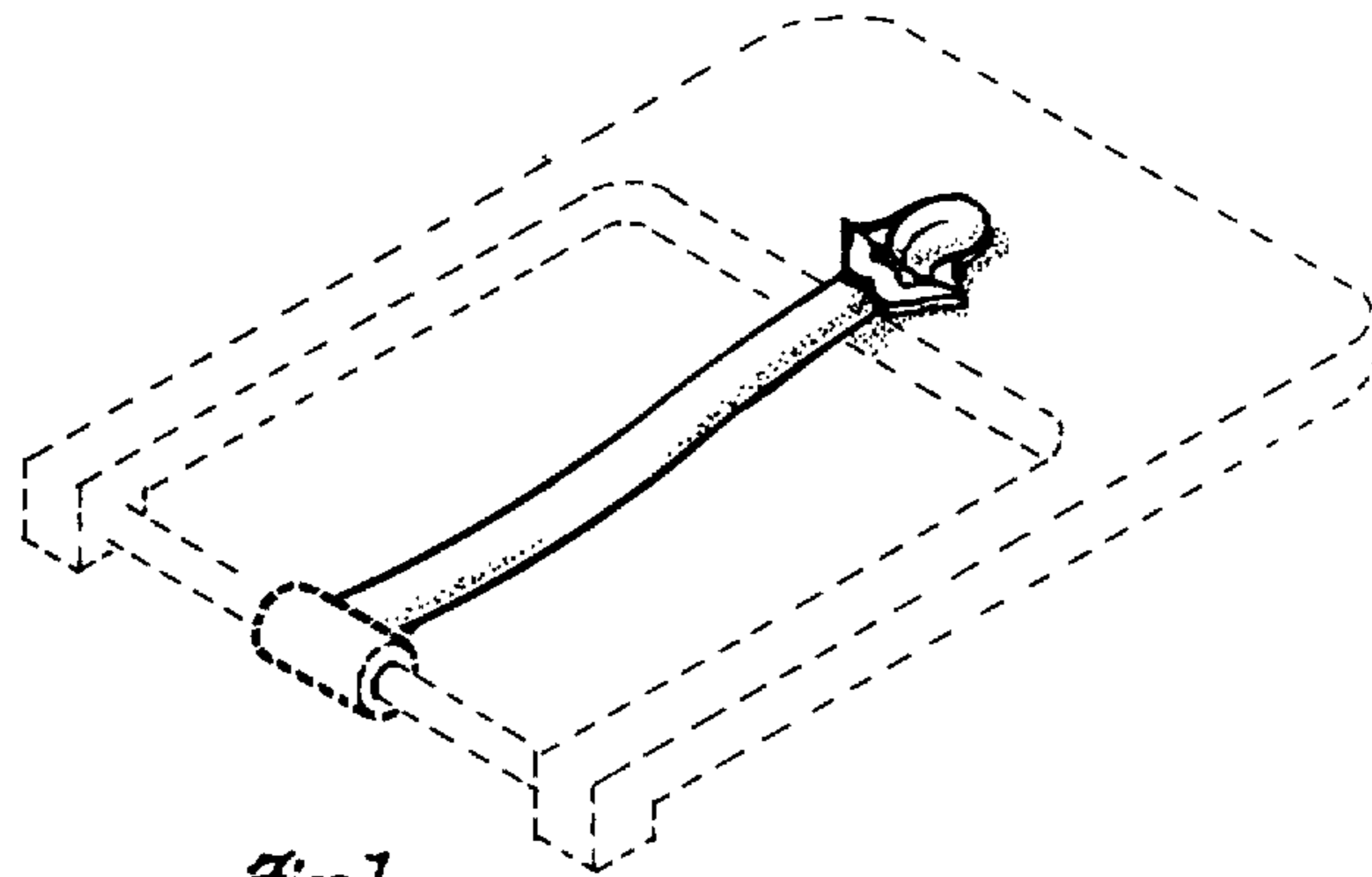


Fig. 1



Fig. 2



Fig. 3



Fig. 4

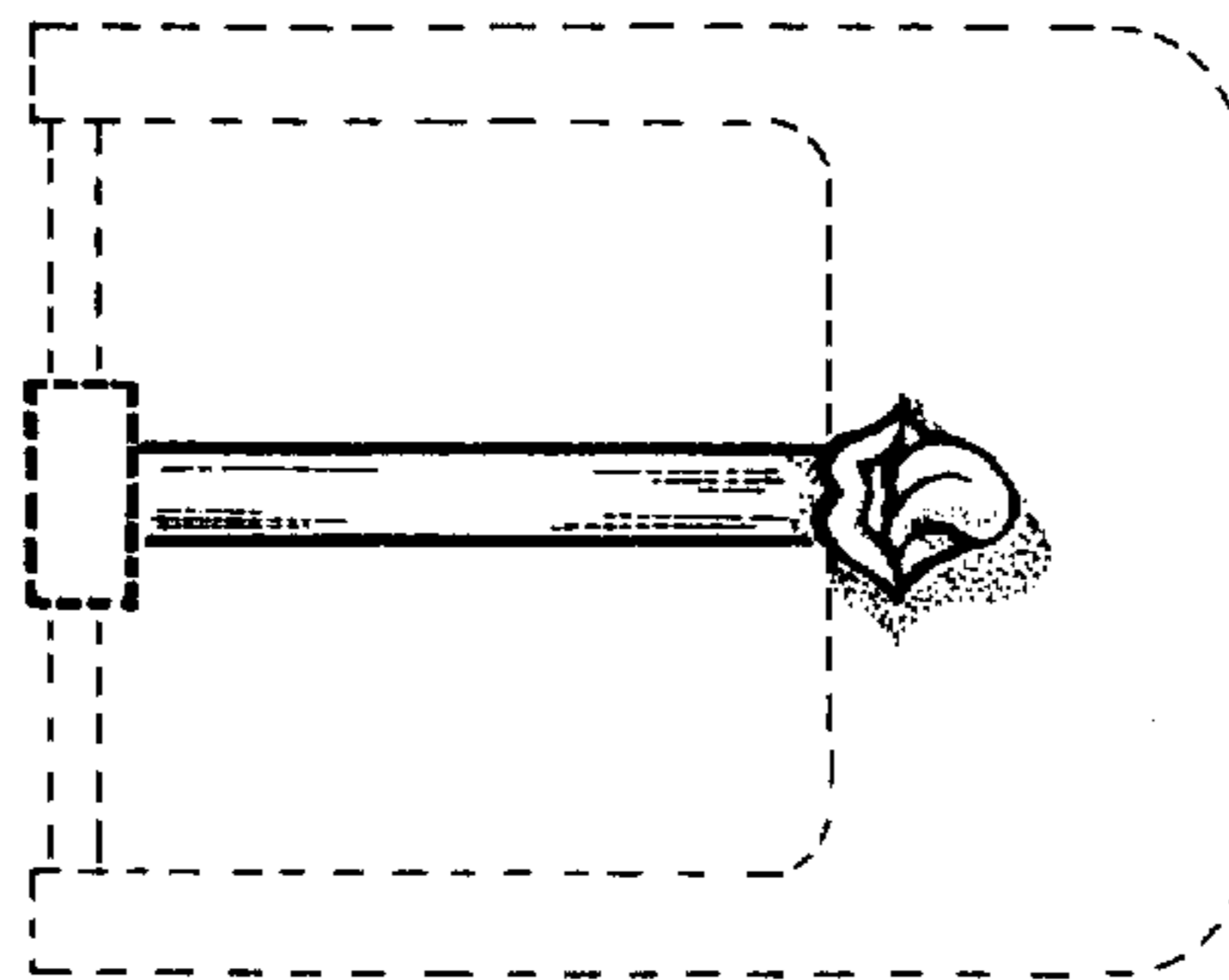


Fig. 5

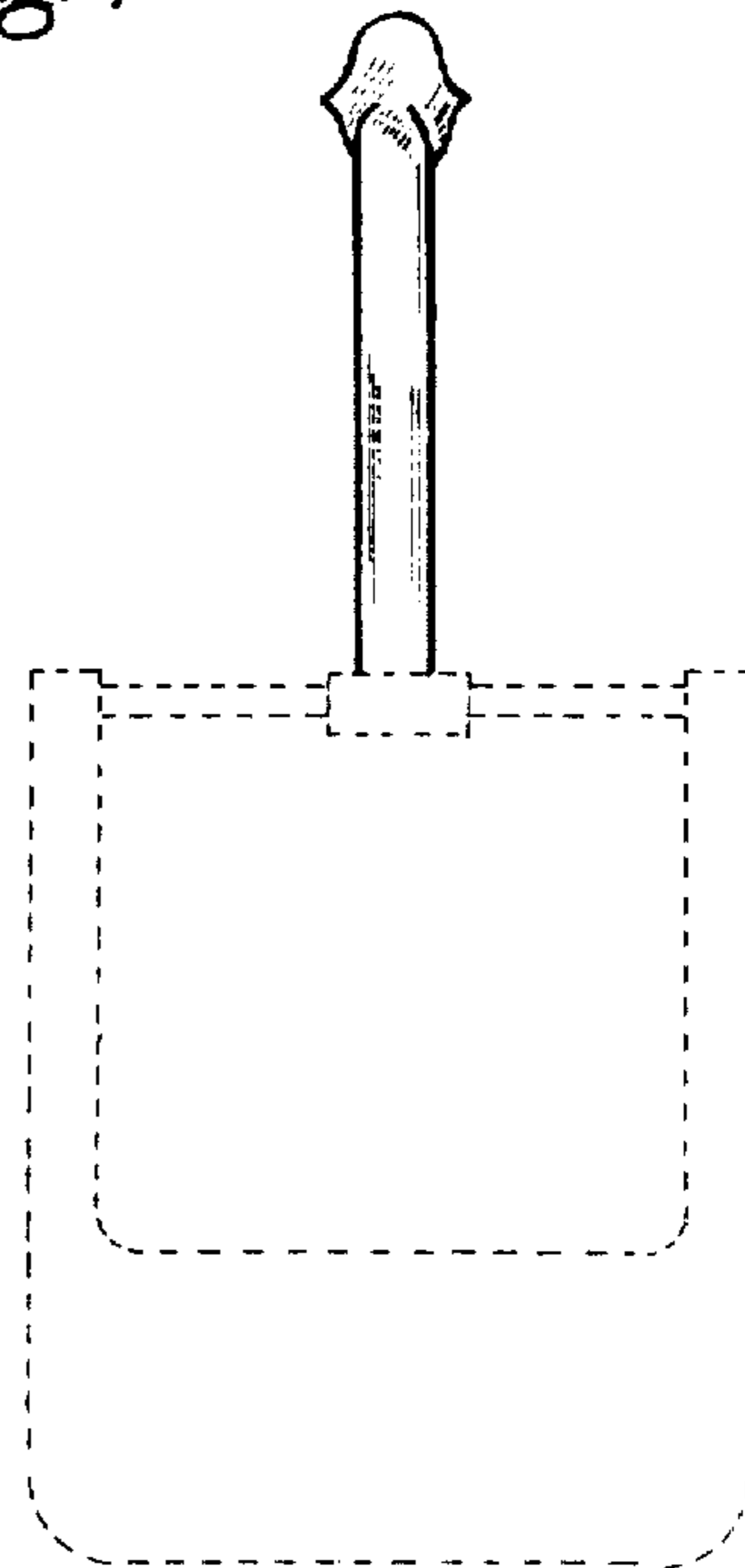


Fig. 6