

[54] EYELASH CURLER

[75] Inventor: John deHaseth, Whittier, Calif.

[73] Assignee: Joneé, Inc., Santa Fe Springs, Calif.

[**] Term: 14 Years

[21] Appl. No.: 59,602

[22] Filed: Jul. 23, 1979

[51] Int. Cl. D28-03

[52] U.S. Cl. D28/36

[58] Field of Search D7/98, 105; D8/4, 83,
D8/94, 97, 98, 107; D24/27, 30; D28/35, 36;
132/31 R, 31 A, 32 R, 32 A, 32 B, 32 C

[56] References Cited

U.S. PATENT DOCUMENTS

D. 230,468	2/1974	Fairbairn	D8/107
2,602,458	7/1952	Tuttle et al.	132/32 C
4,073,533	2/1978	DeBrey et al.	D7/105 X

Primary Examiner—Leland A. Sebastian
Attorney, Agent, or Firm—Charles H. Schwartz;
Ellsworth R. Roston

[57] CLAIM

The ornamental design for an eyelash curler, as shown and described.

DESCRIPTION

FIG. 1 is a perspective view of an eyelash curler showing my new design;

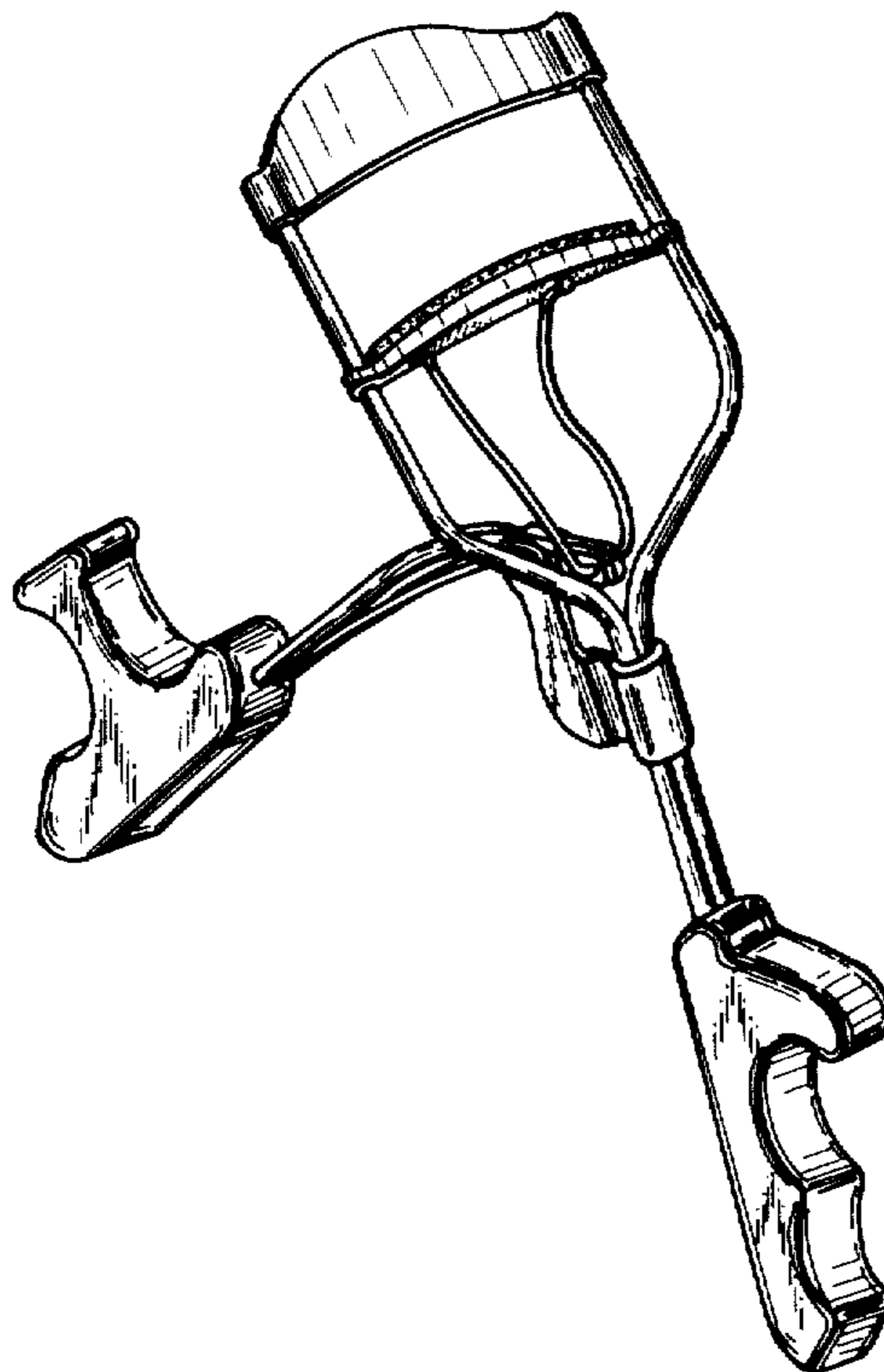
FIG. 2 is a front elevational view thereof;

FIG. 3 is a side elevational view thereof;

FIG. 4 is a top plan view thereof;

FIG. 5 is a front elevational view thereof showing a spare resilient member held in position with a clip member; and

FIG. 6 is a cross-sectional view of the spare resilient member clipped in position and taken along lines 6-6 of FIG. 5.



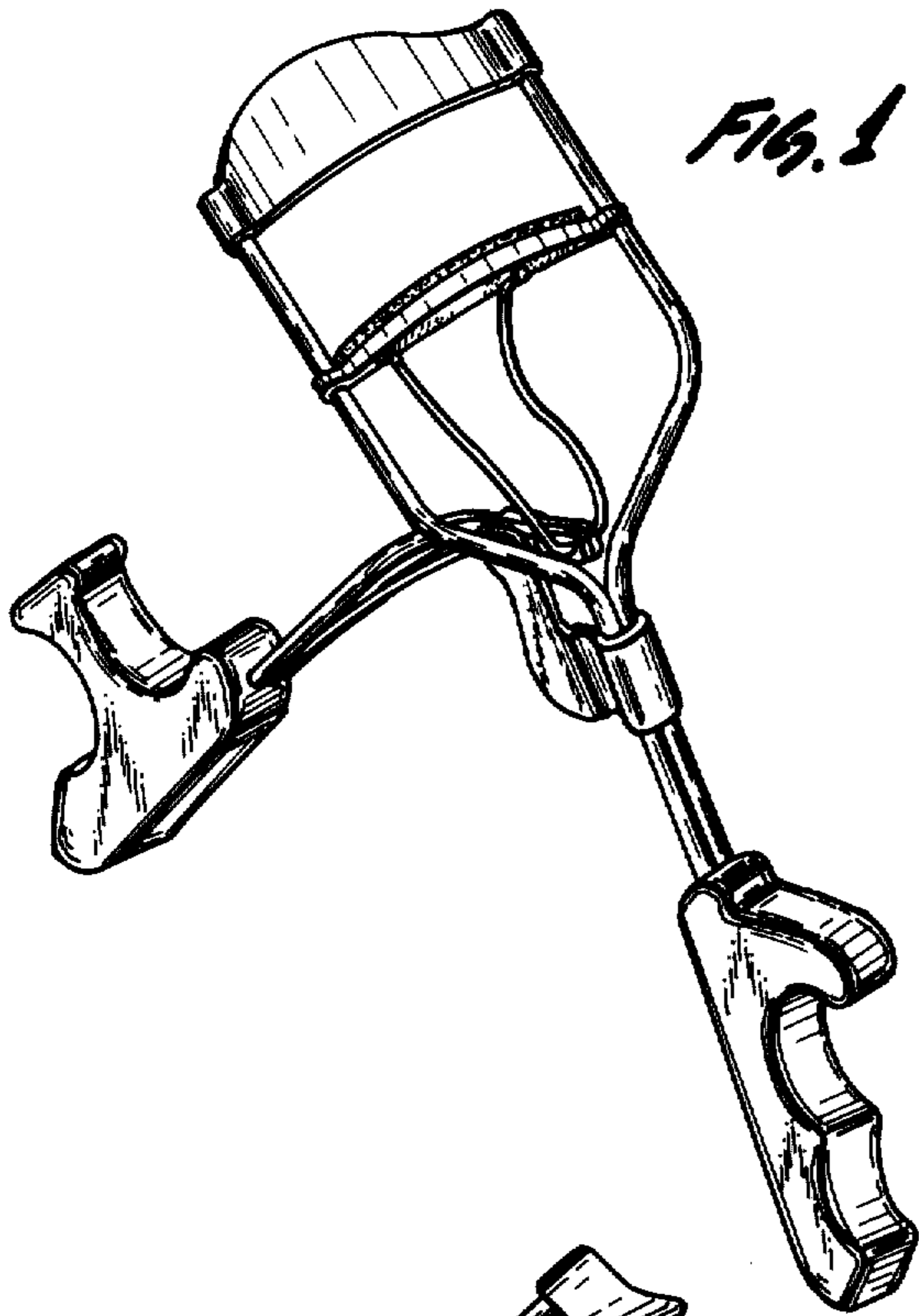


Fig. 1

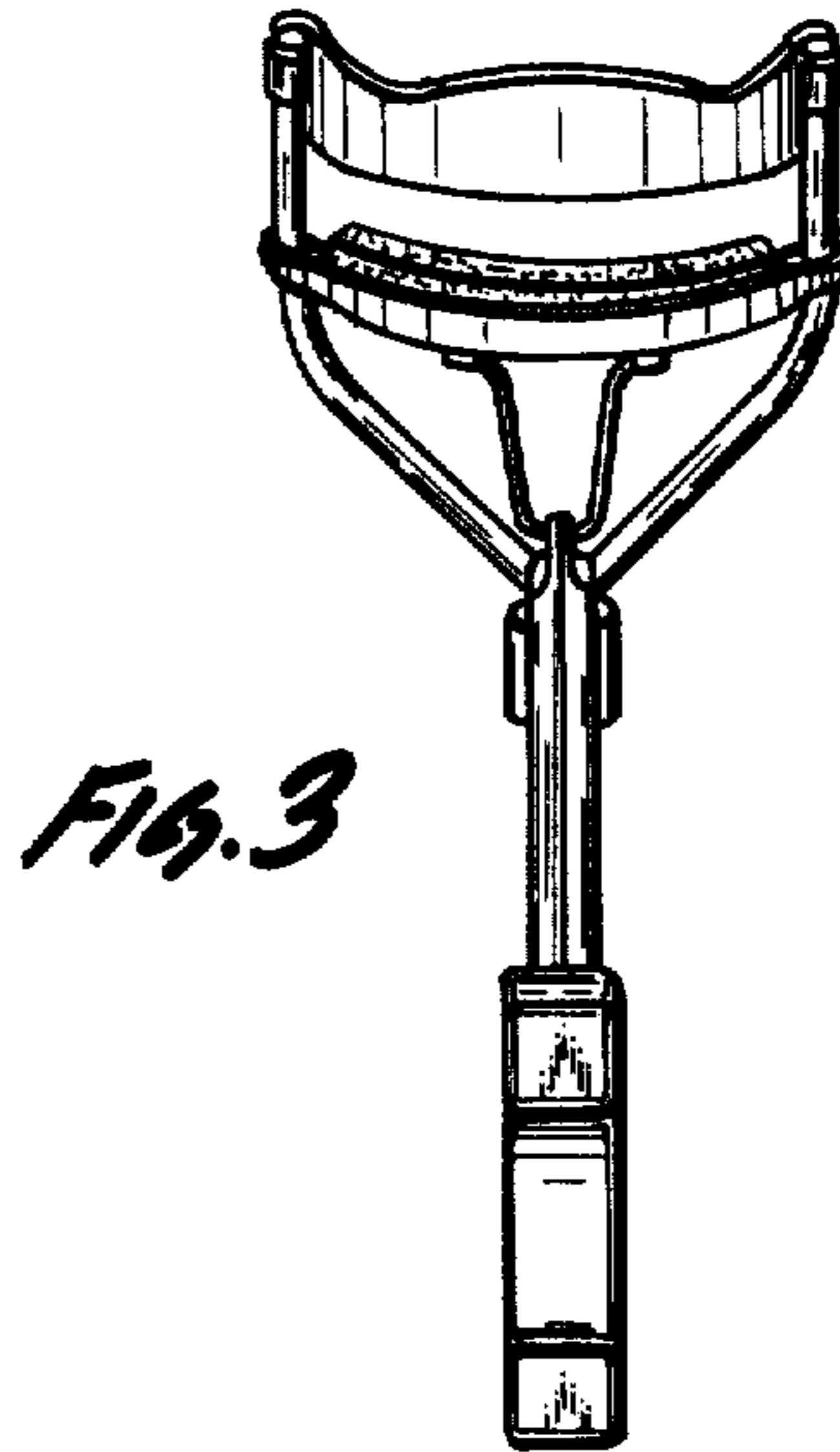


Fig. 3

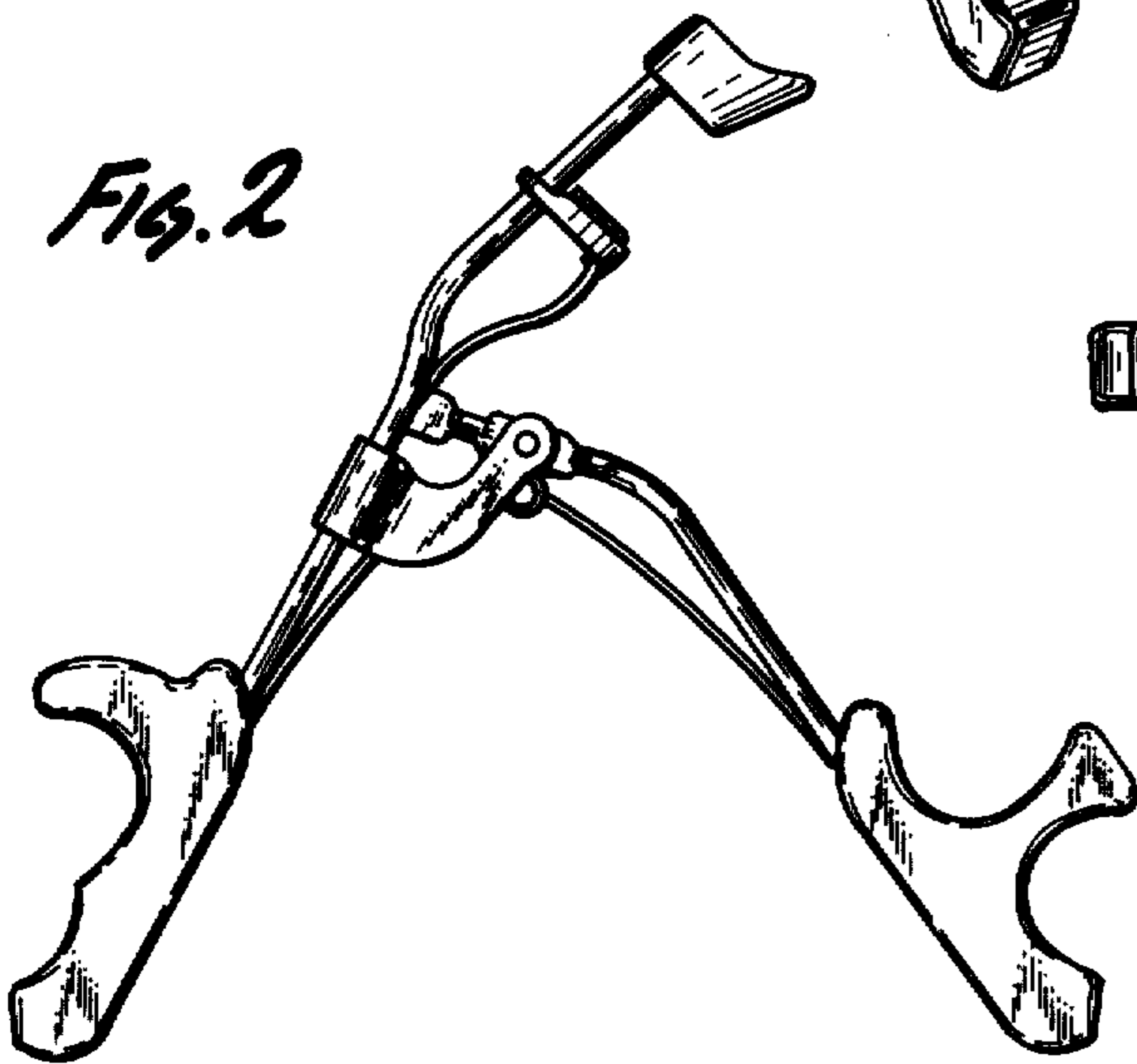


Fig. 2

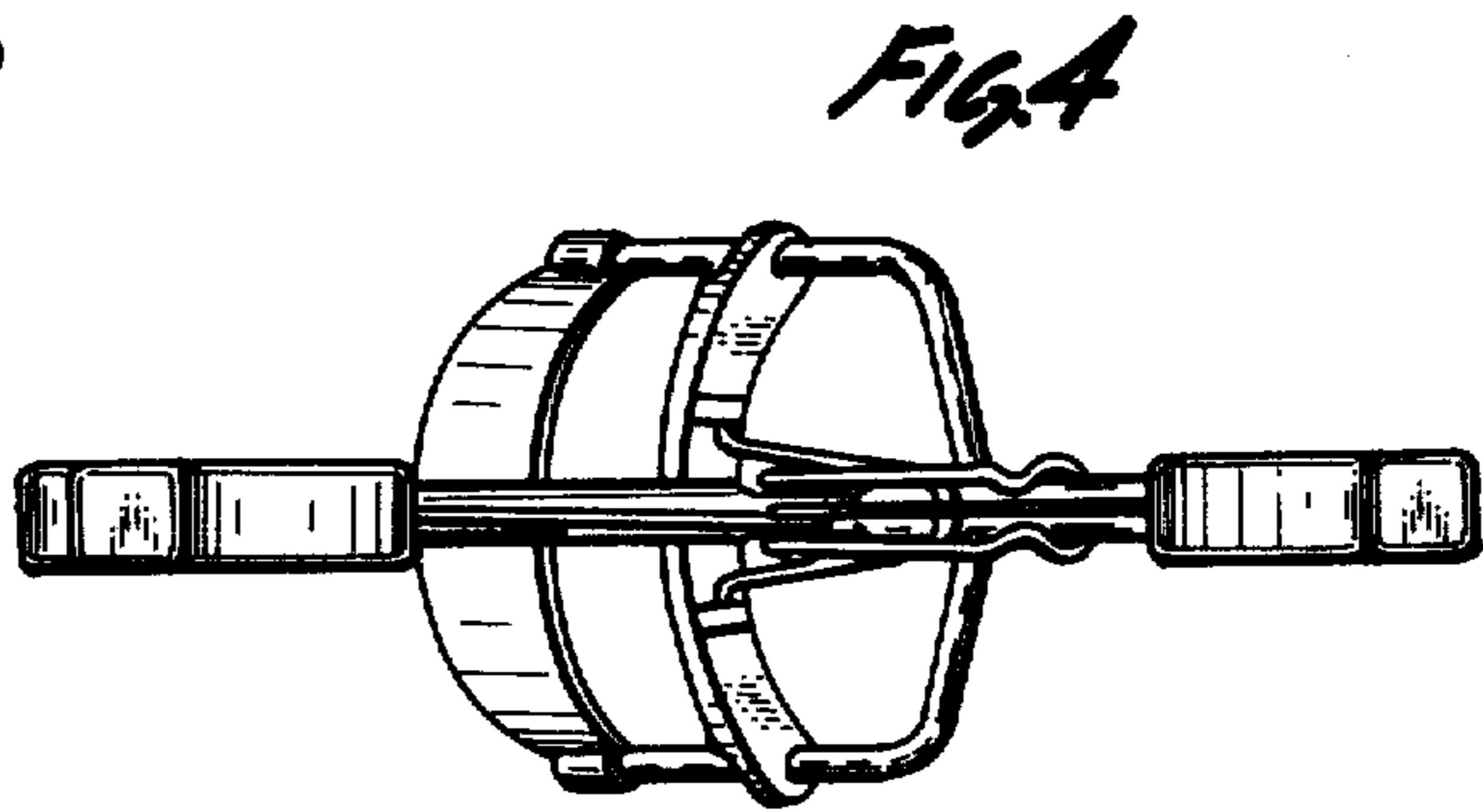


Fig. 4

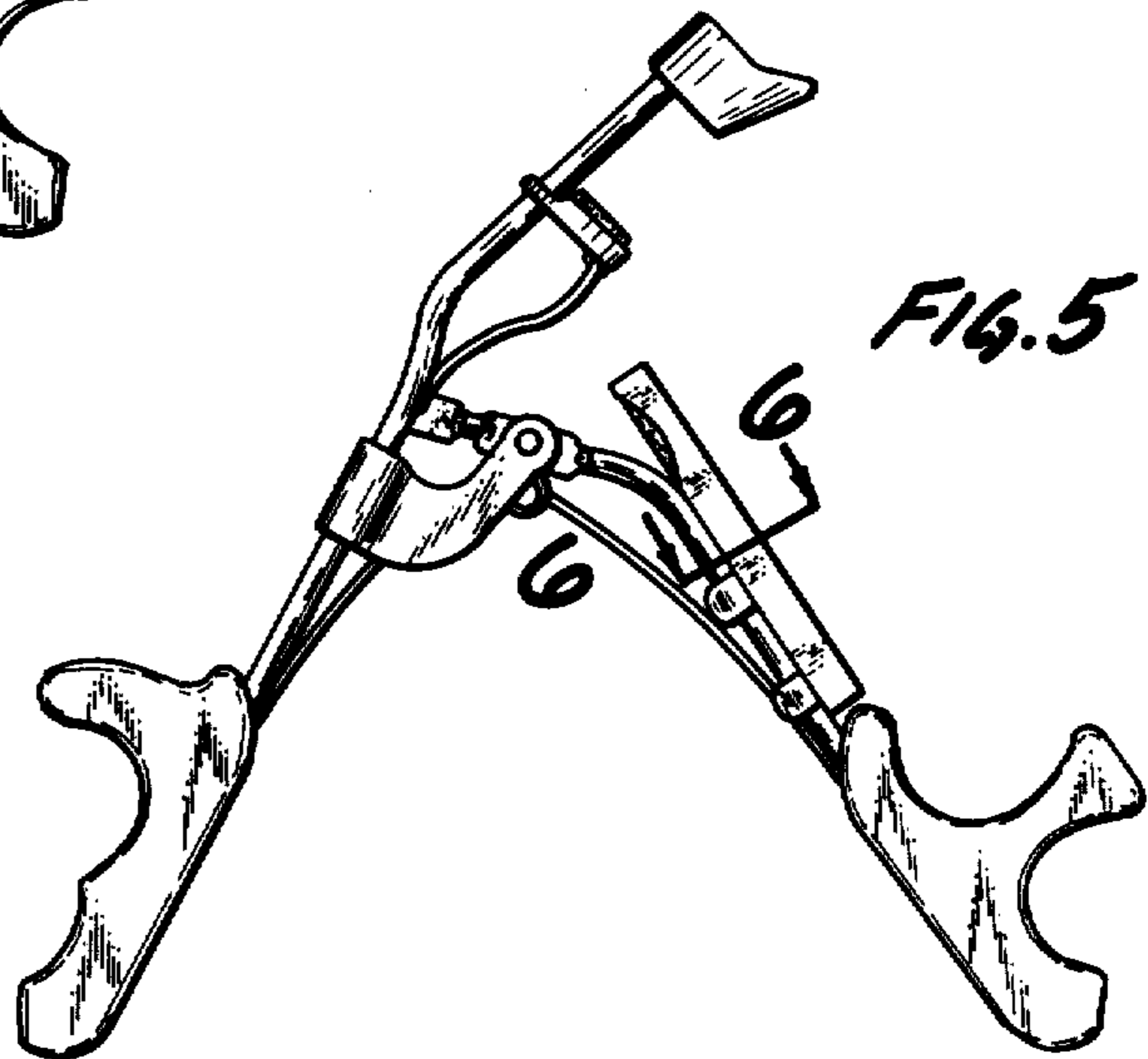


Fig. 5

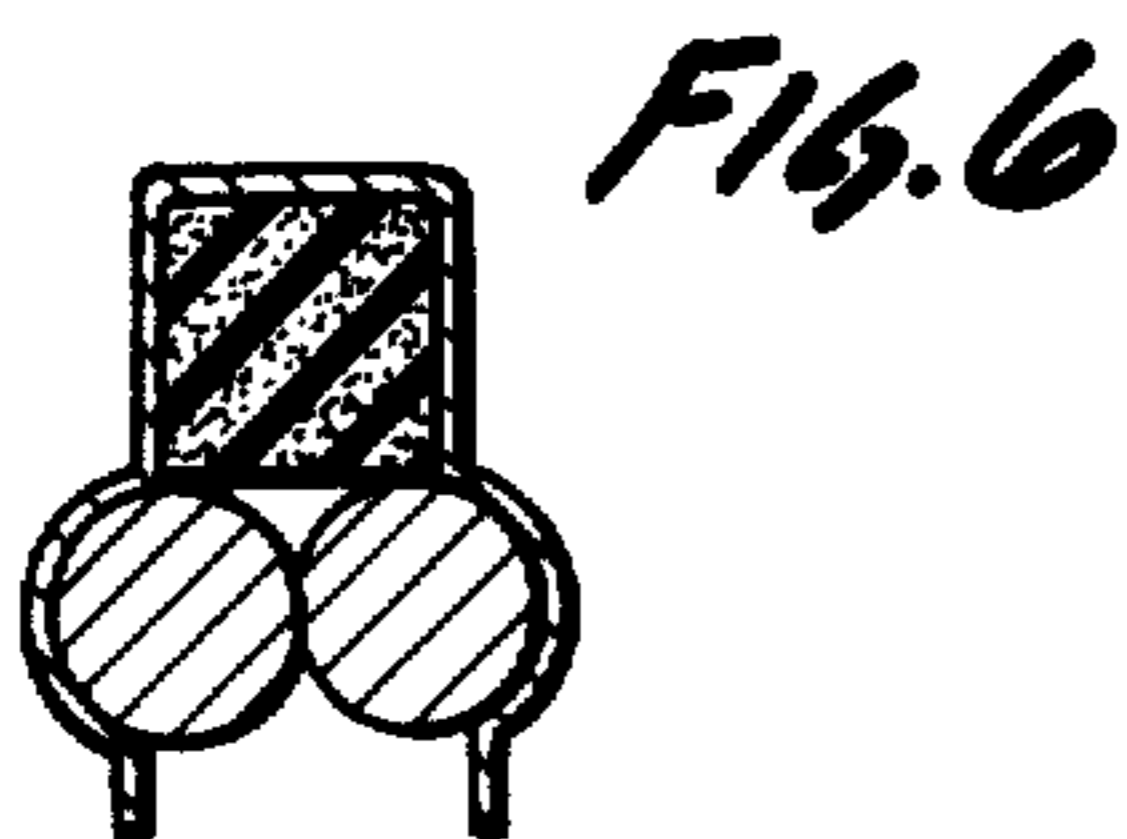


Fig. 6