

[54] PIPE

[76] Inventor: S. Franklin Sher, 609 Lochmoor,
Danville, Calif. 94526

[**] Term: 14 Years

[21] Appl. No.: 156,314

[22] Filed: Jun. 2, 1980

[51] Int. Cl. D27-02
[52] U.S. Cl. D27/03
[58] Field of Search D27/3-7;
131/170 R, 171 R, 173, 191, 195, 198 R, 216

[56] References Cited

U.S. PATENT DOCUMENTS

D. 249,071 8/1978 Shepard, Jr. D27/3
3,882,875 5/1975 Frost D27/3 X

Primary Examiner—Catherine E. Kemper
Attorney, Agent, or Firm—Limbach, Limbach & Sutton

[57] CLAIM

The ornamental design for a pipe, as shown and described.

DESCRIPTION

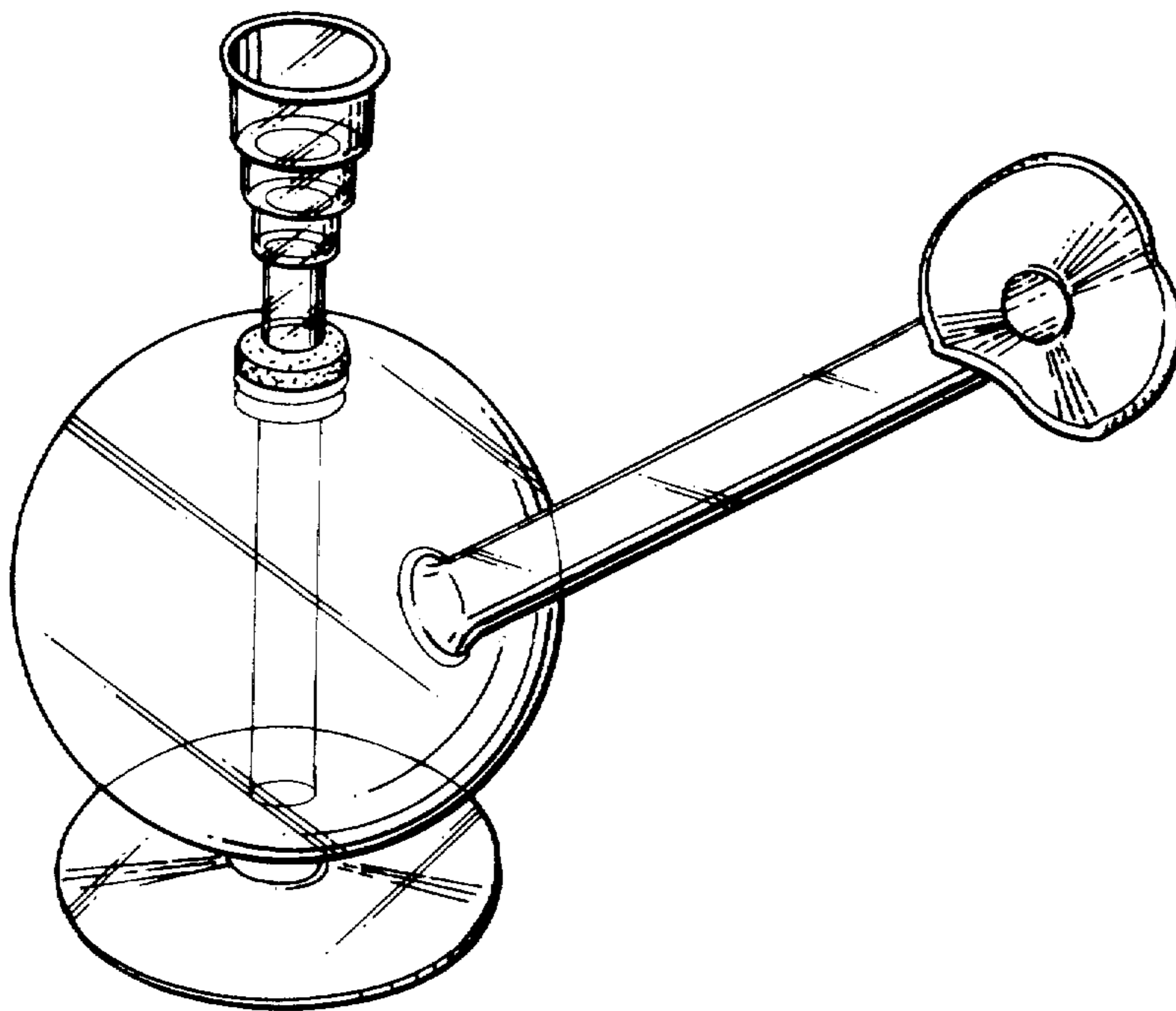
FIG. 1 is a perspective view of a pipe showing my new design;

FIG. 2 is a top plan view thereof;

FIG. 3 is a right elevational view thereof;

FIG. 4 is a rear elevational view thereof; and

FIG. 5 is a bottom plan view thereof.



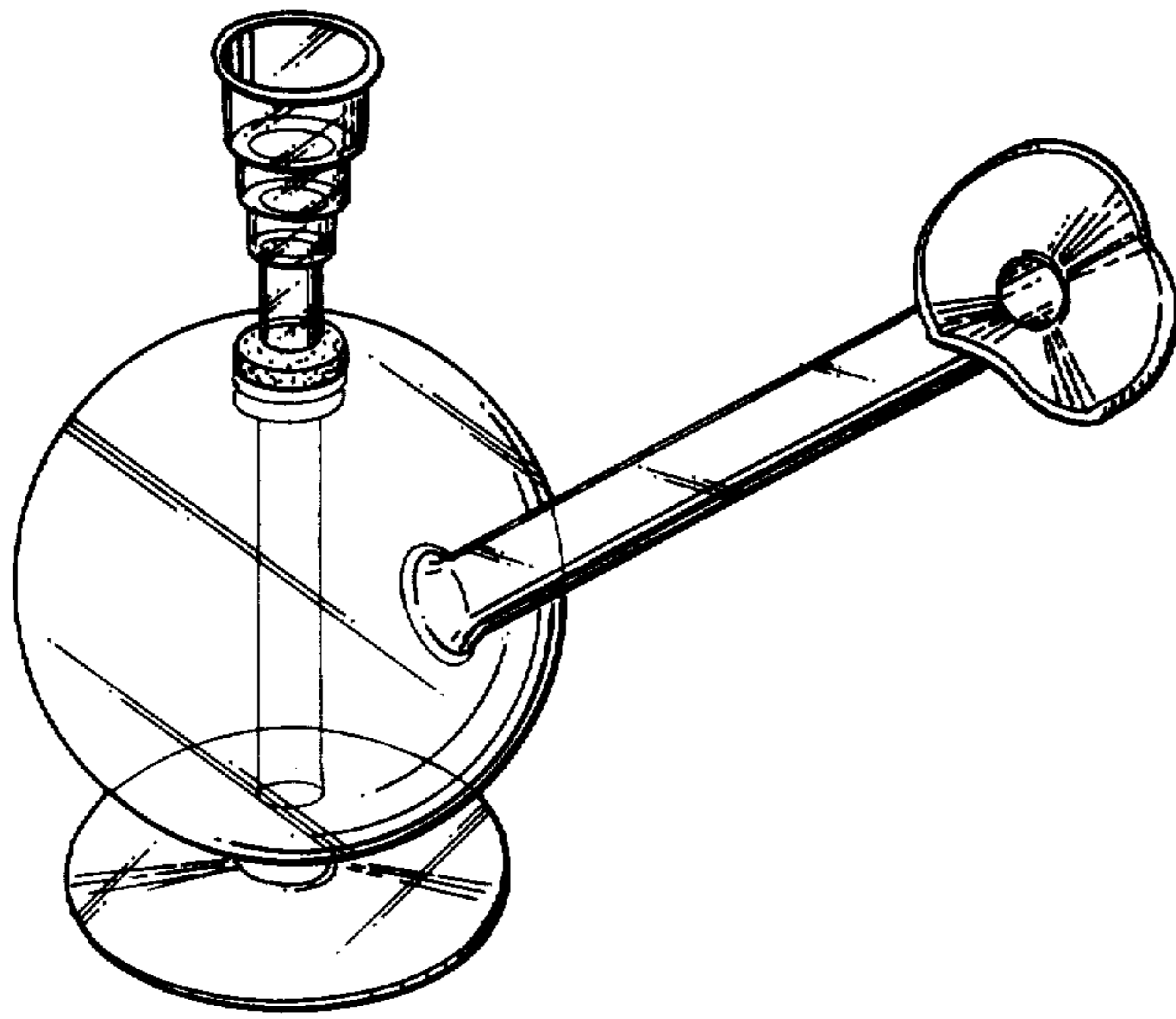


FIG. 1.

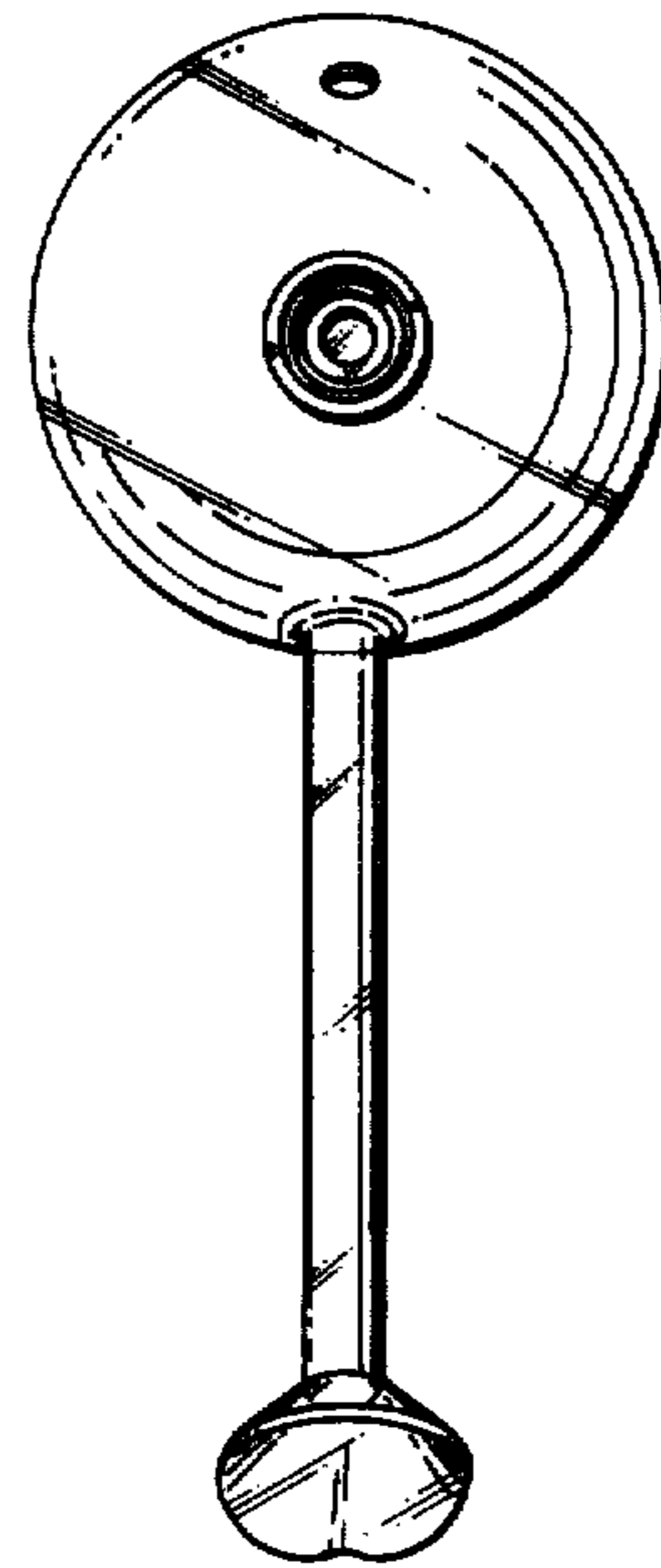


FIG. 2.

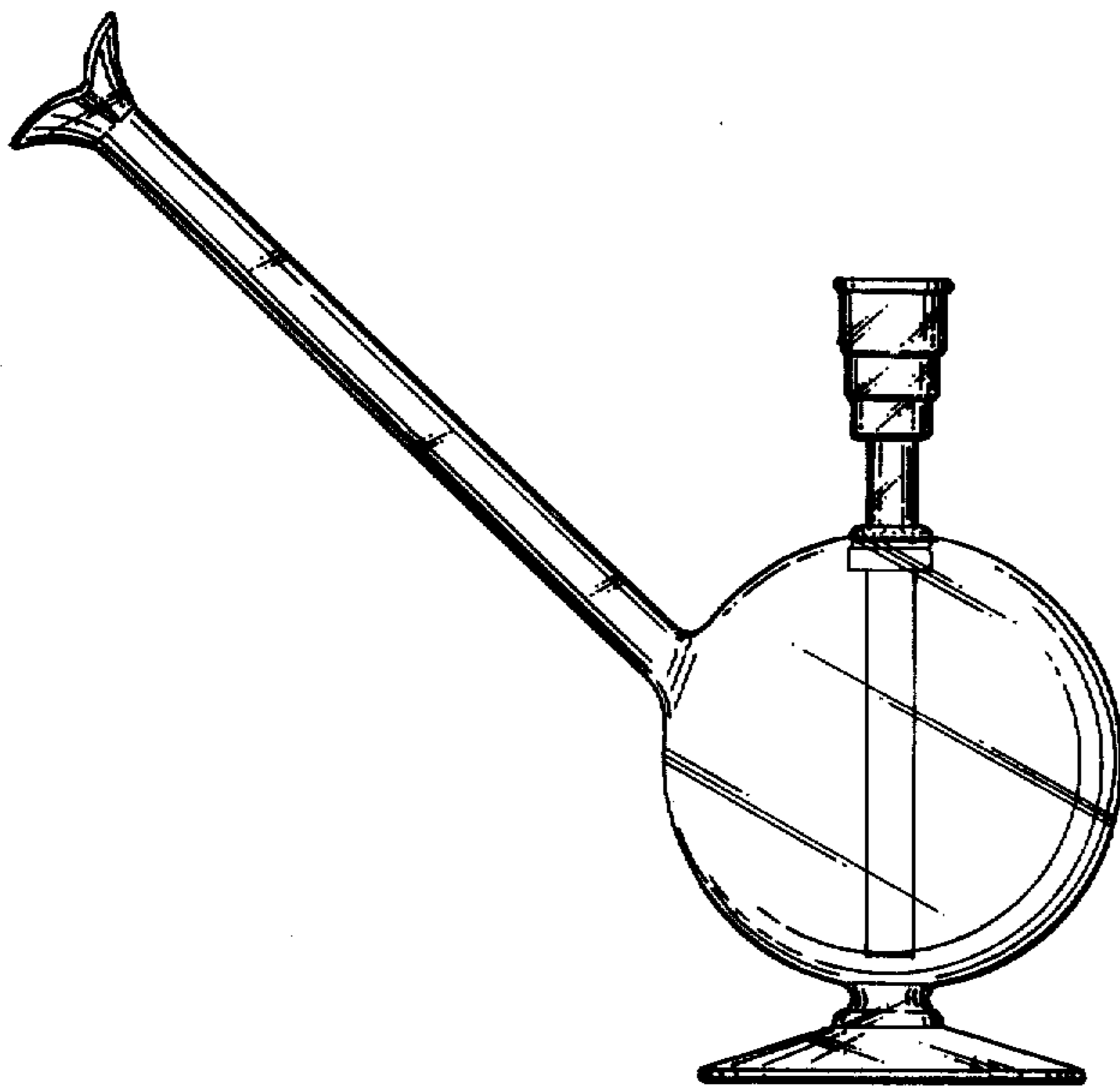


FIG. 3.

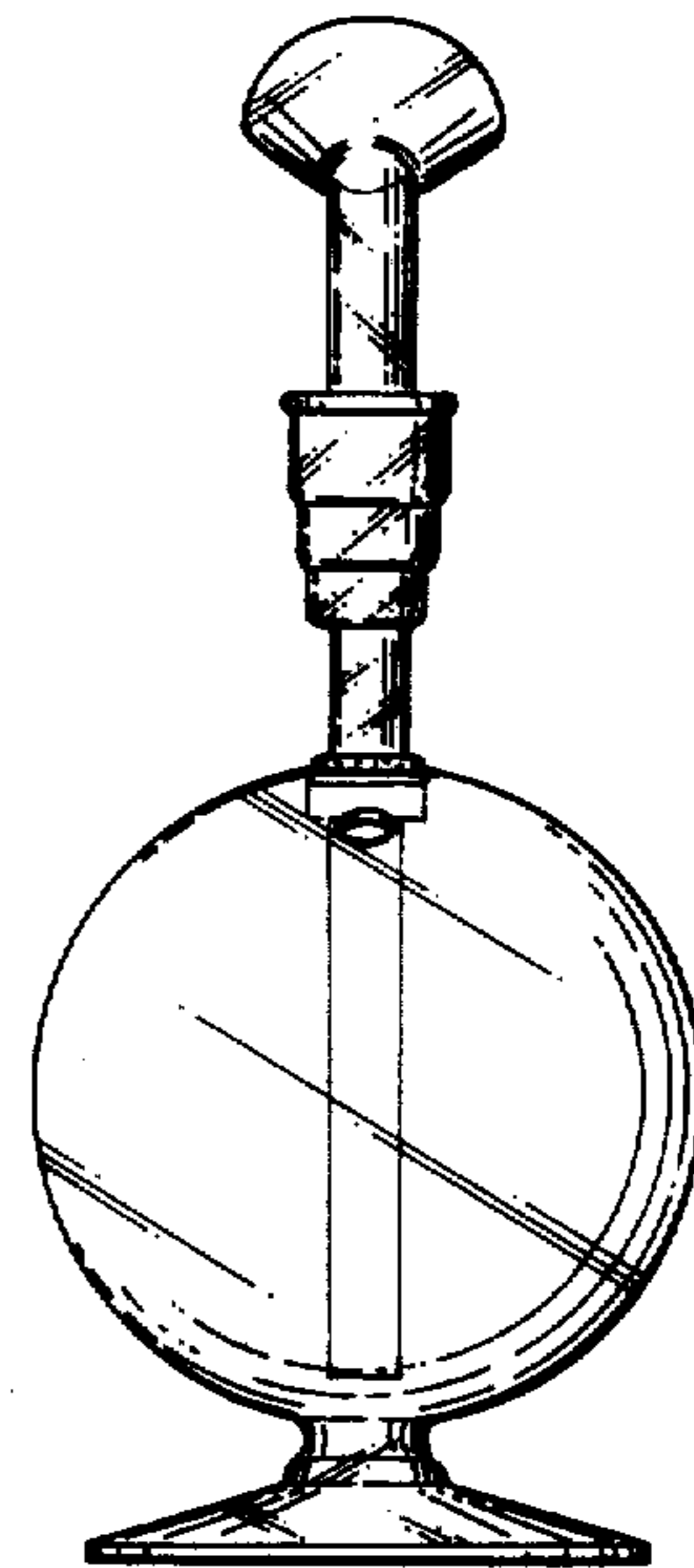


FIG. 4.

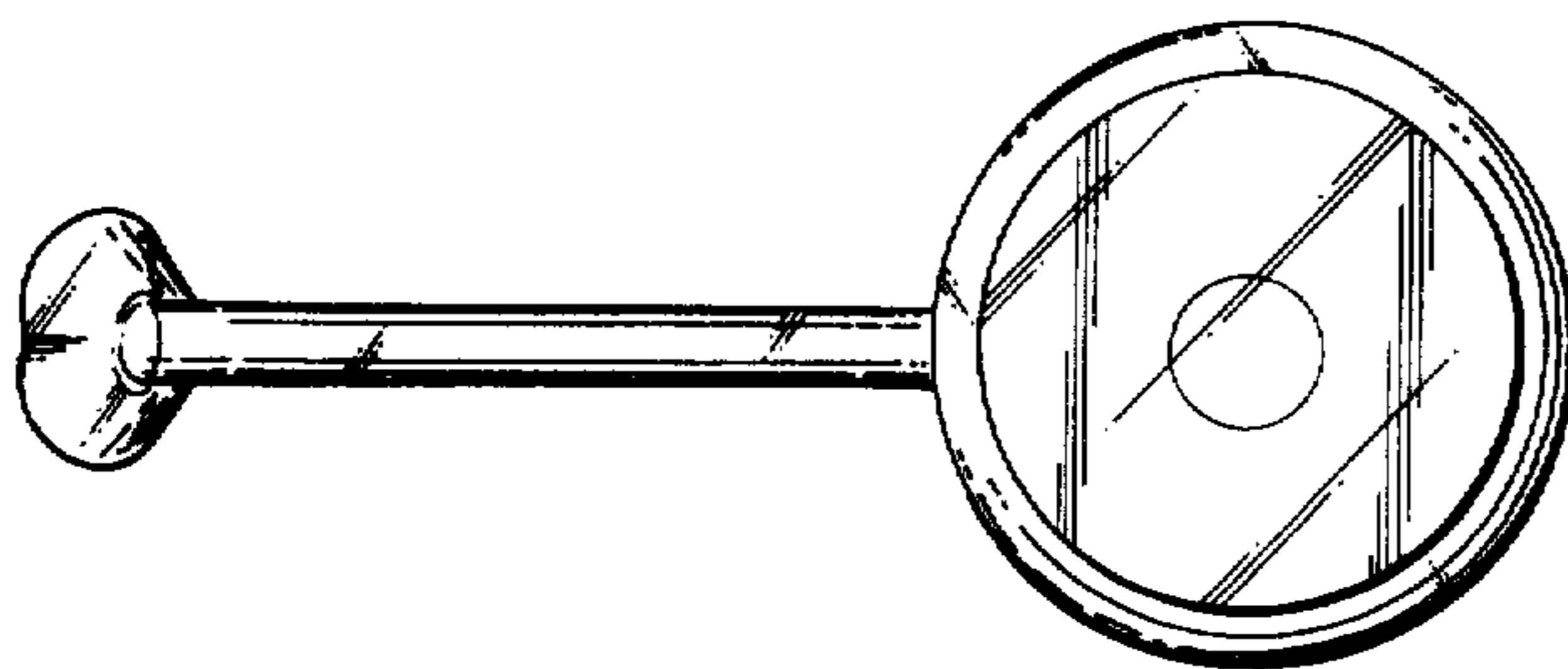


FIG. 5.