

[54] CHARCOAL TEST TRAY CANISTER

[75] Inventor: Daniel D. Whitney, Orangevale, Calif.

[73] Assignee: Sacramento Municipal Utility District, Sacramento, Calif.

[**] Term: 14 Years

[21] Appl. No.: 66,488

[22] Filed: Aug. 13, 1979

[51] Int. Cl. D24-99

[52] U.S. Cl. D24/17; D23/19; 250/328; 250/506

[58] Field of Search D24/17; D23/19; 250/328, 506

[56]

References Cited

U.S. PATENT DOCUMENTS

2,500,492	3/1950	Henriques	250/328
2,875,345	2/1959	Nicoll	250/506
4,021,676	3/1977	Duffy	250/506

Primary Examiner—Veronica O’Keefe
Attorney, Agent, or Firm—Lothrop & West

[57]

CLAIM

The ornamental design for a charcoal test tray canister, as shown.

DESCRIPTION

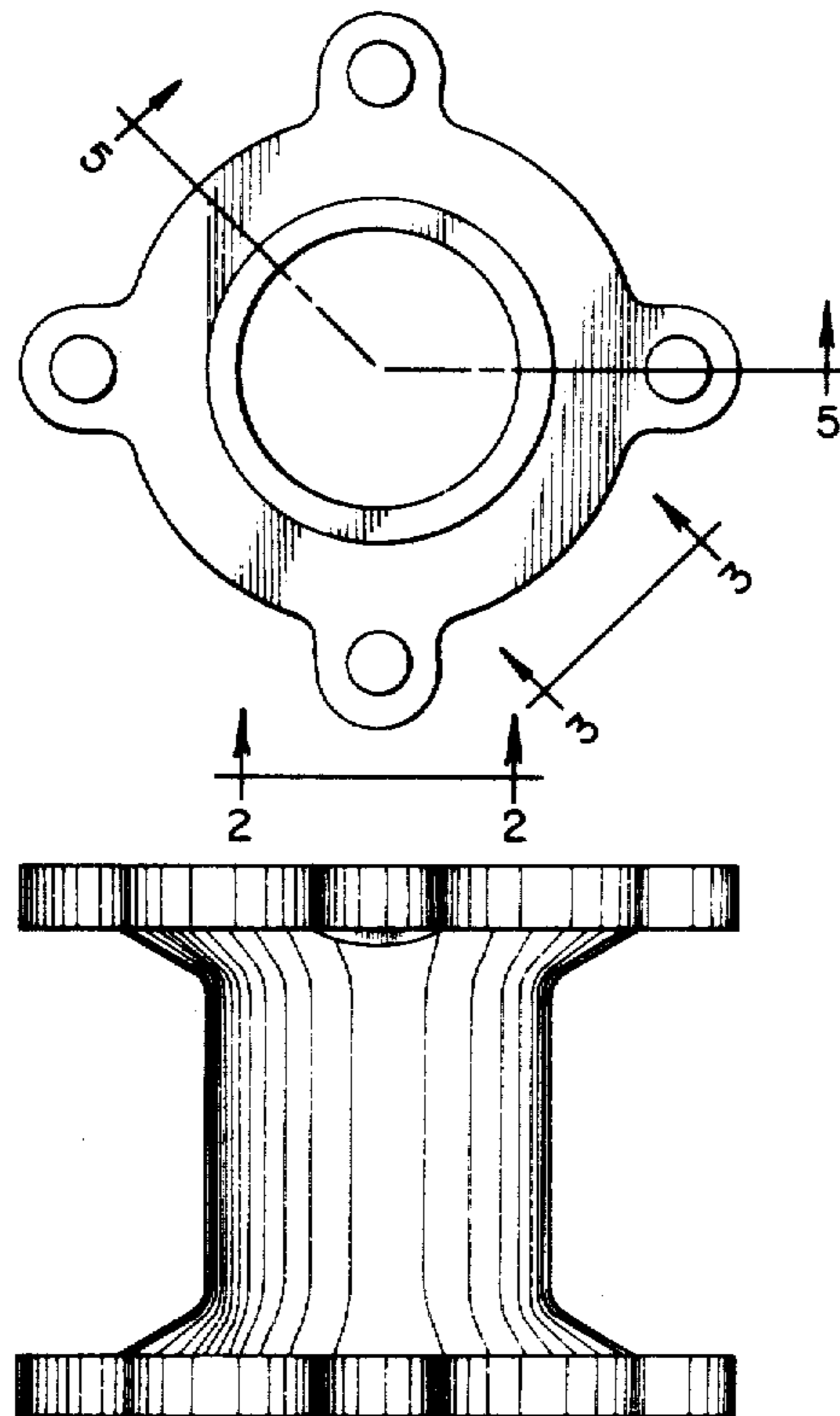
FIG. 1 is a top plan view of a charcoal test tray canister, showing my new design;

FIG. 2 is a side elevational view from the plane indicated by the line 2—2 in FIG. 1;

FIG. 3 is a side elevational view from the plane indicated by the line 3—3 in FIG. 1;

FIG. 4 is a bottom plan view; and,

FIG. 5 is a sectional view taken on the compound planes indicated by the lines 5—5 in FIG. 1.



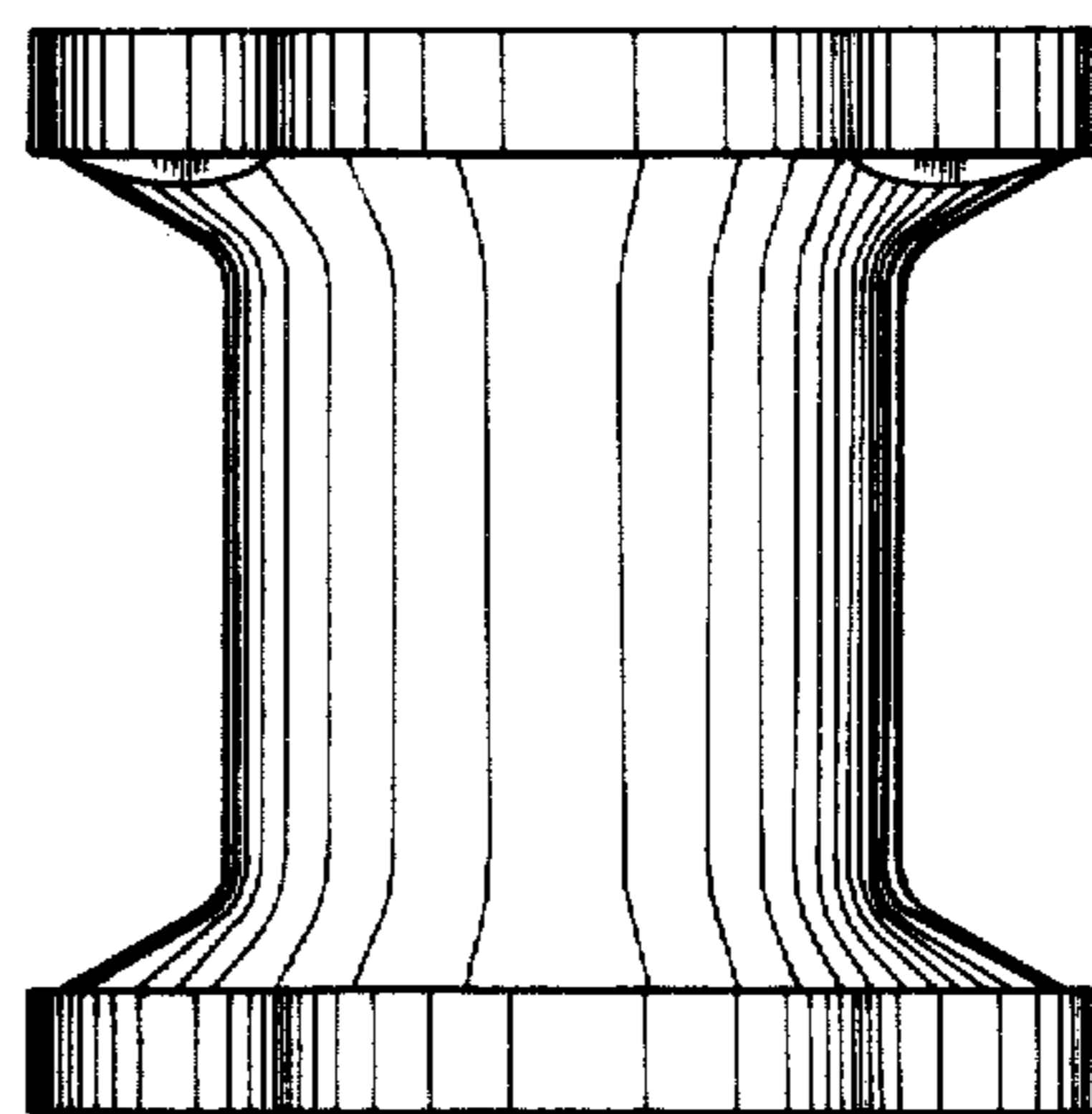
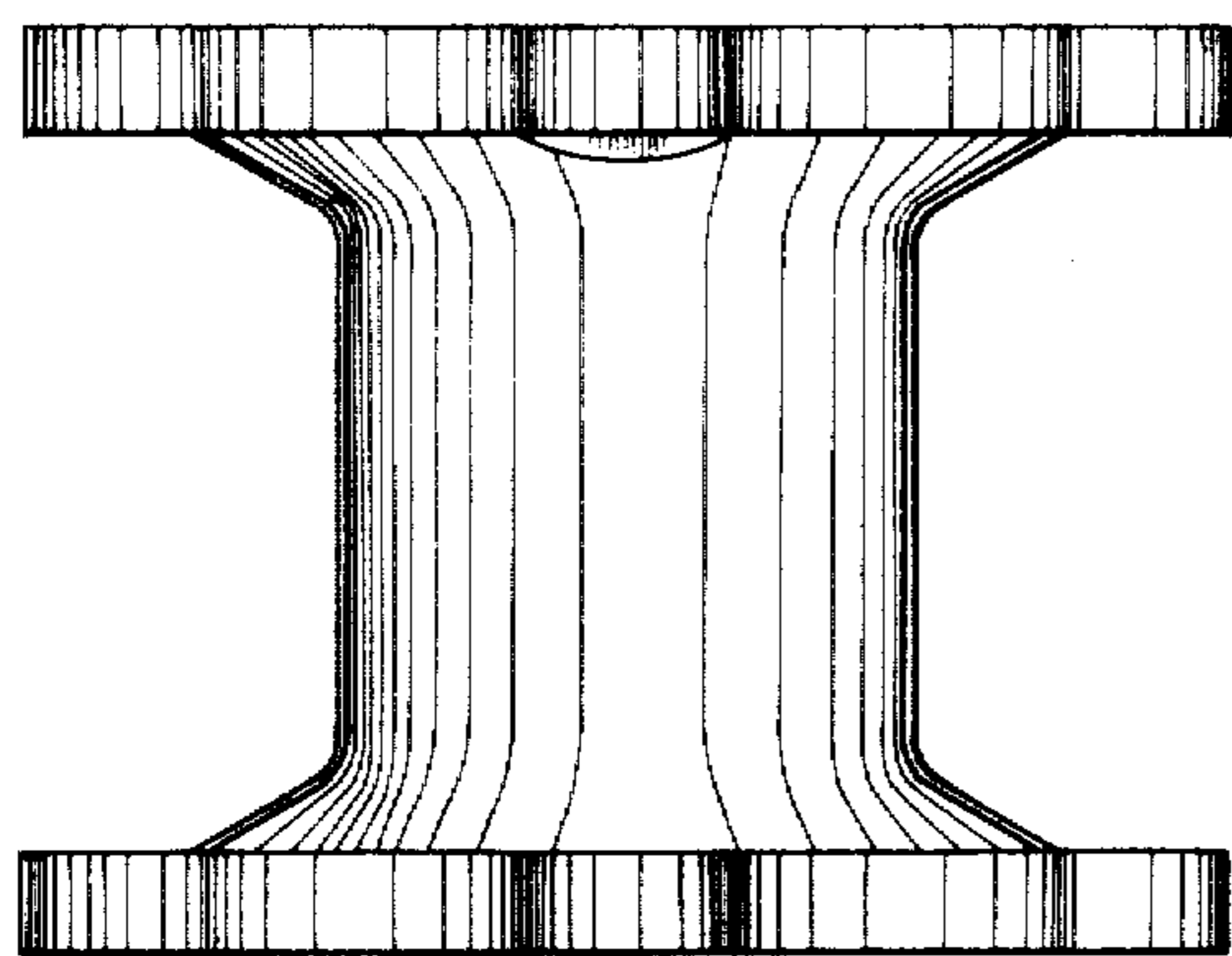
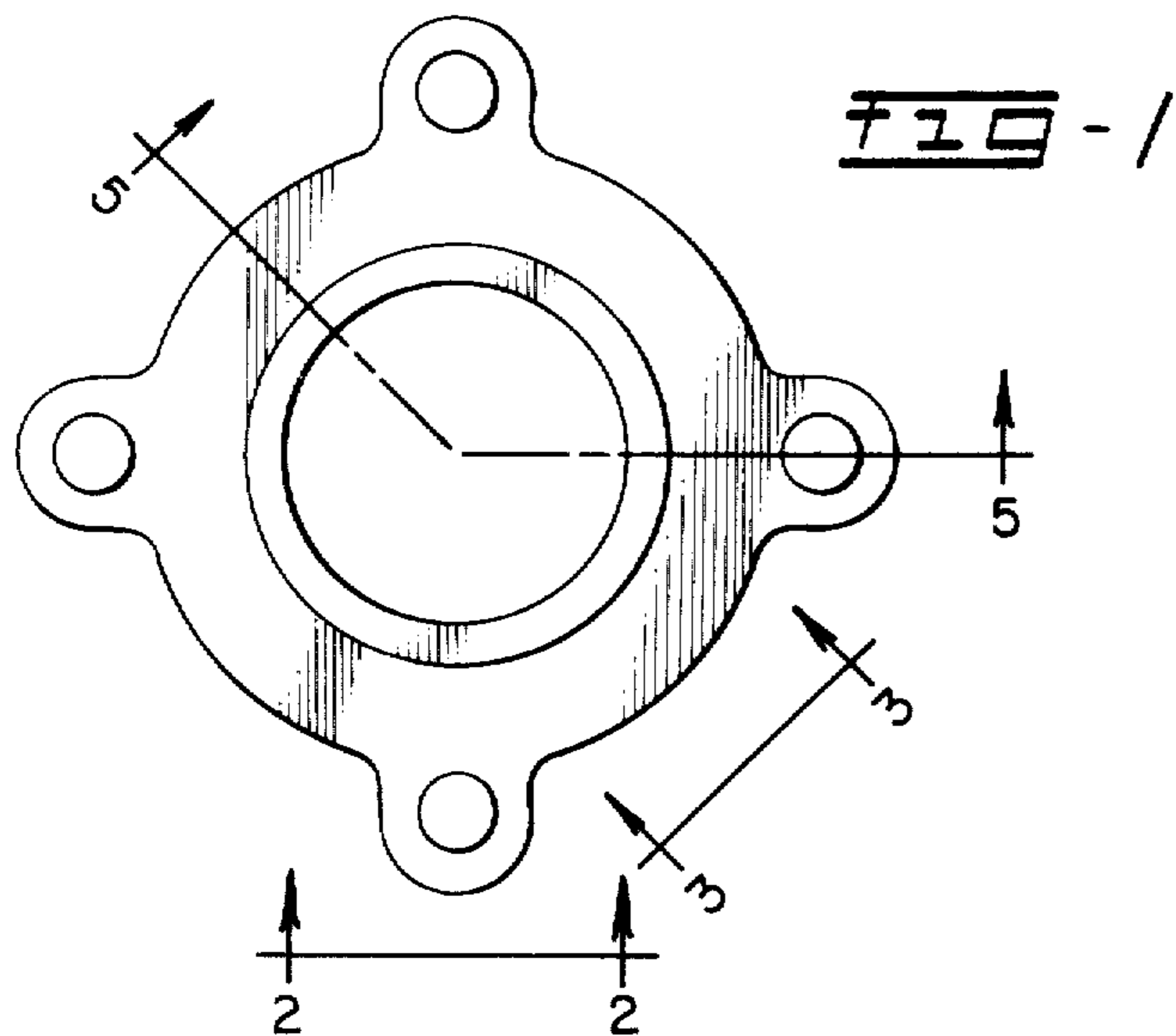


FIG-2

FIG-3

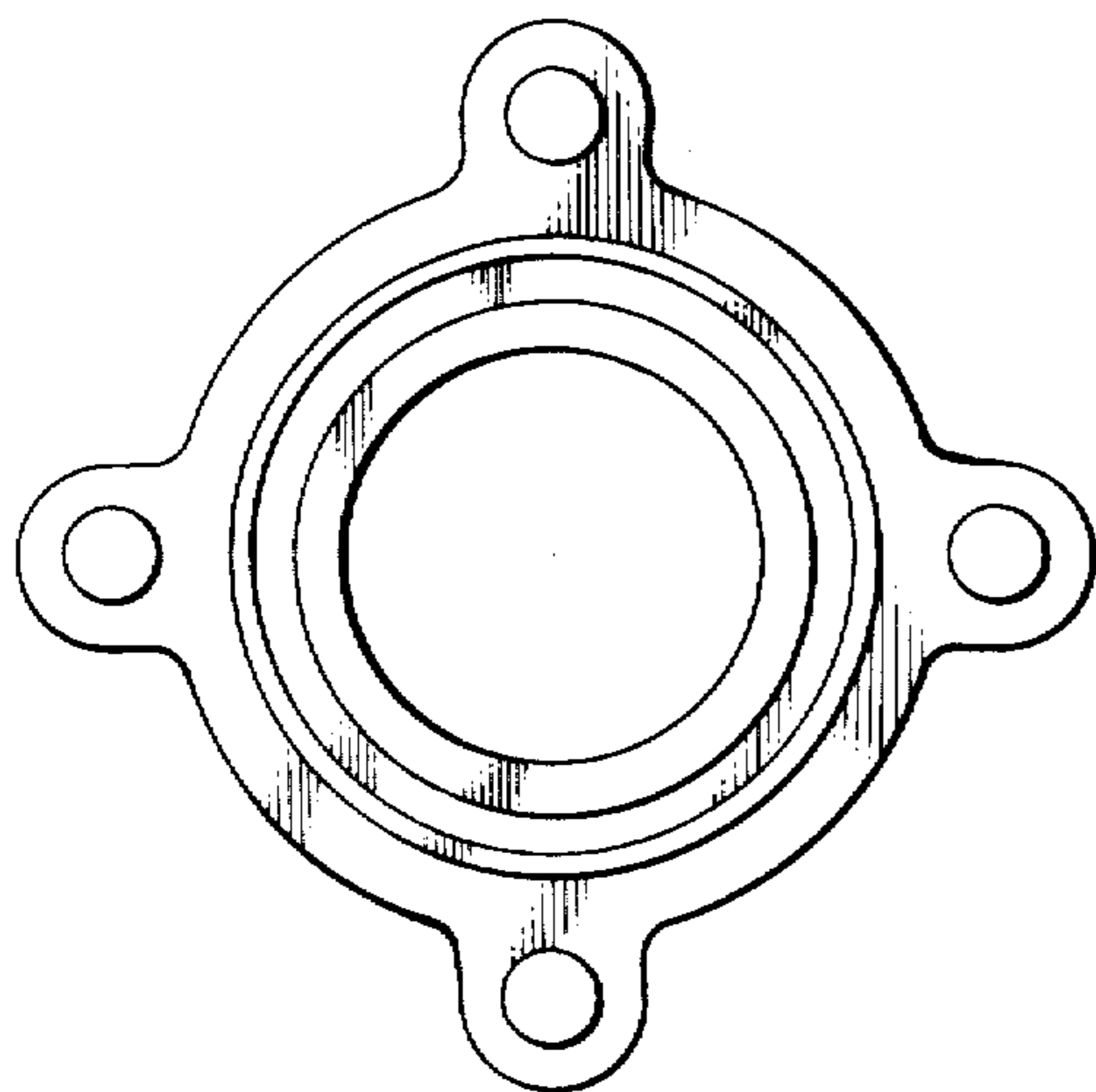


FIG-4

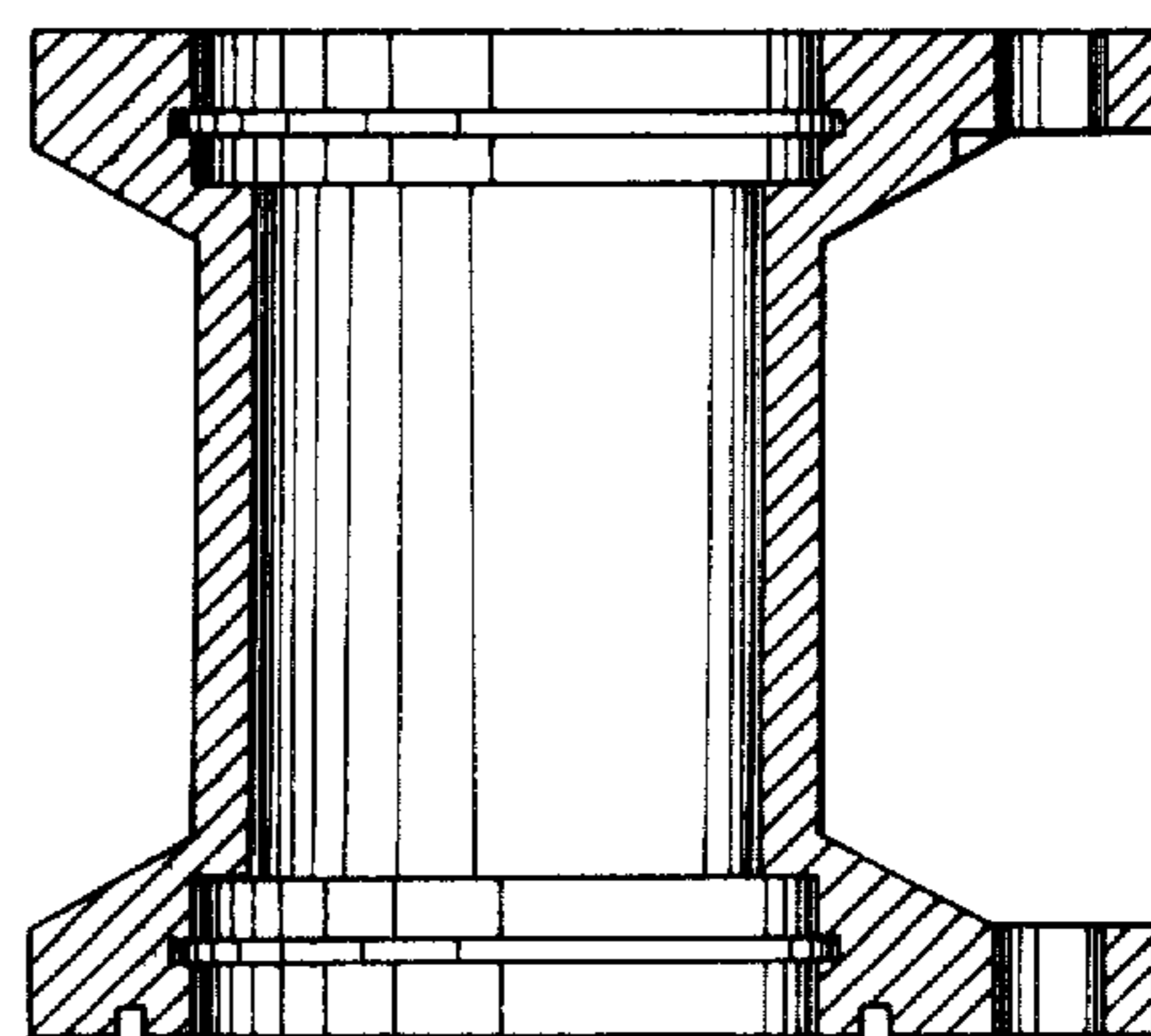


FIG-5