

[54] **ARTICULATOR FOR ARTIFICIAL DENTURES**

[75] Inventor: **Svante R. Edwardson**, Solna, Sweden

[73] Assignee: **AB Dentatus**, Hogersten, Sweden

[\*\*] Term: **14 Years**

[21] Appl. No.: **48,887**

[22] Filed: **Jun. 15, 1979**

[51] Int. Cl. .... **D24-02**

[52] U.S. Cl. .... **D24/10**

[58] Field of Search ..... 433/54, 55, 56, 57, 433/58, 59, 60; D24/10

[56] **References Cited**

**U.S. PATENT DOCUMENTS**

D. 204,381	4/1966	Orofino	.....	D24/10
3,105,300	10/1963	Beresin	.....	433/55 X
3,159,915	12/1964	Beu et al.	.....	433/57
3,343,264	9/1967	Guichet et al.	.....	433/56

3,409,986	11/1968	Freeman	.....	433/55
4,169,314	10/1979	Mercer et al.	.....	433/60

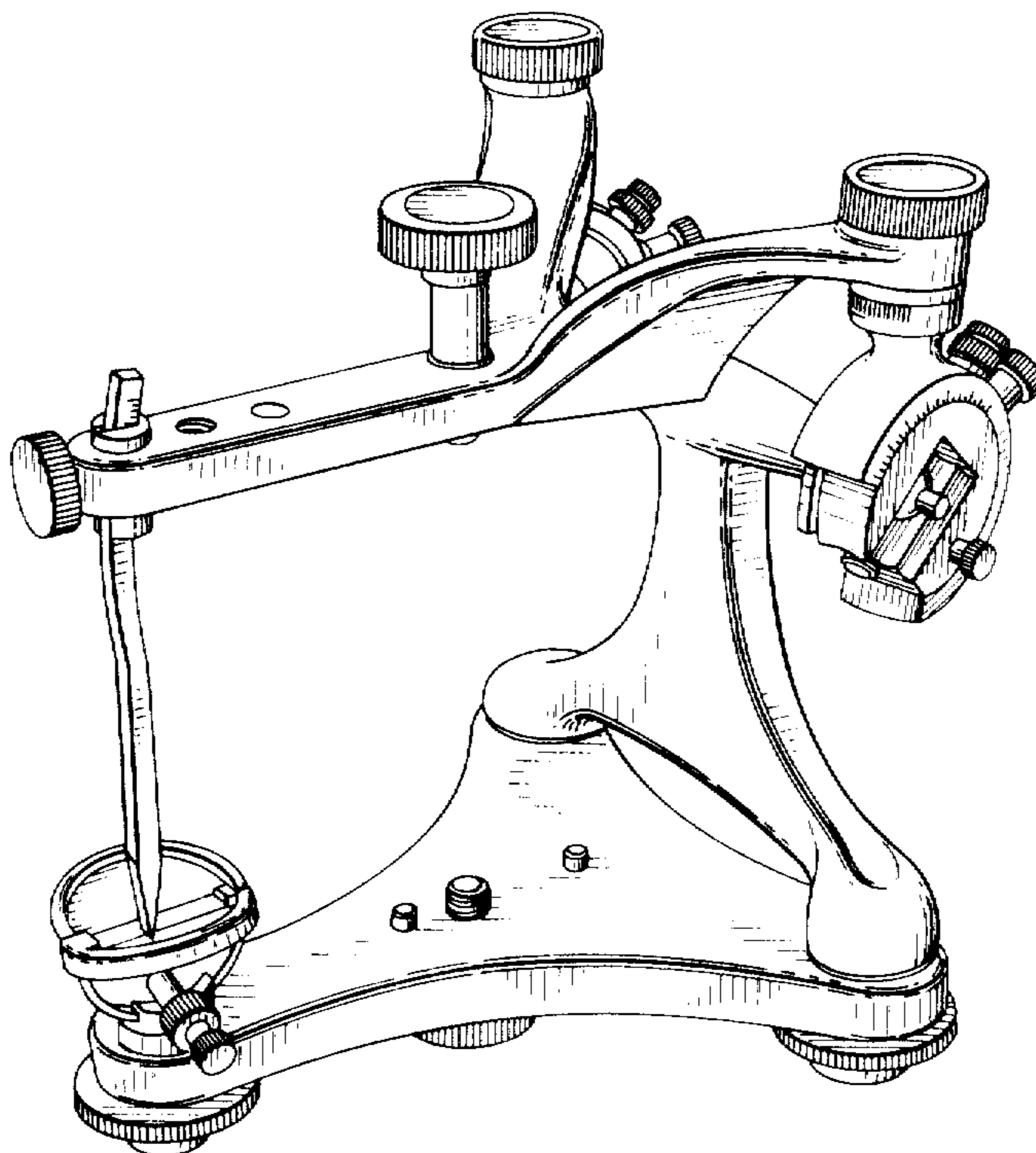
*Primary Examiner*—Bernard Ansher  
*Attorney, Agent, or Firm*—Young & Thompson

[57] **CLAIM**

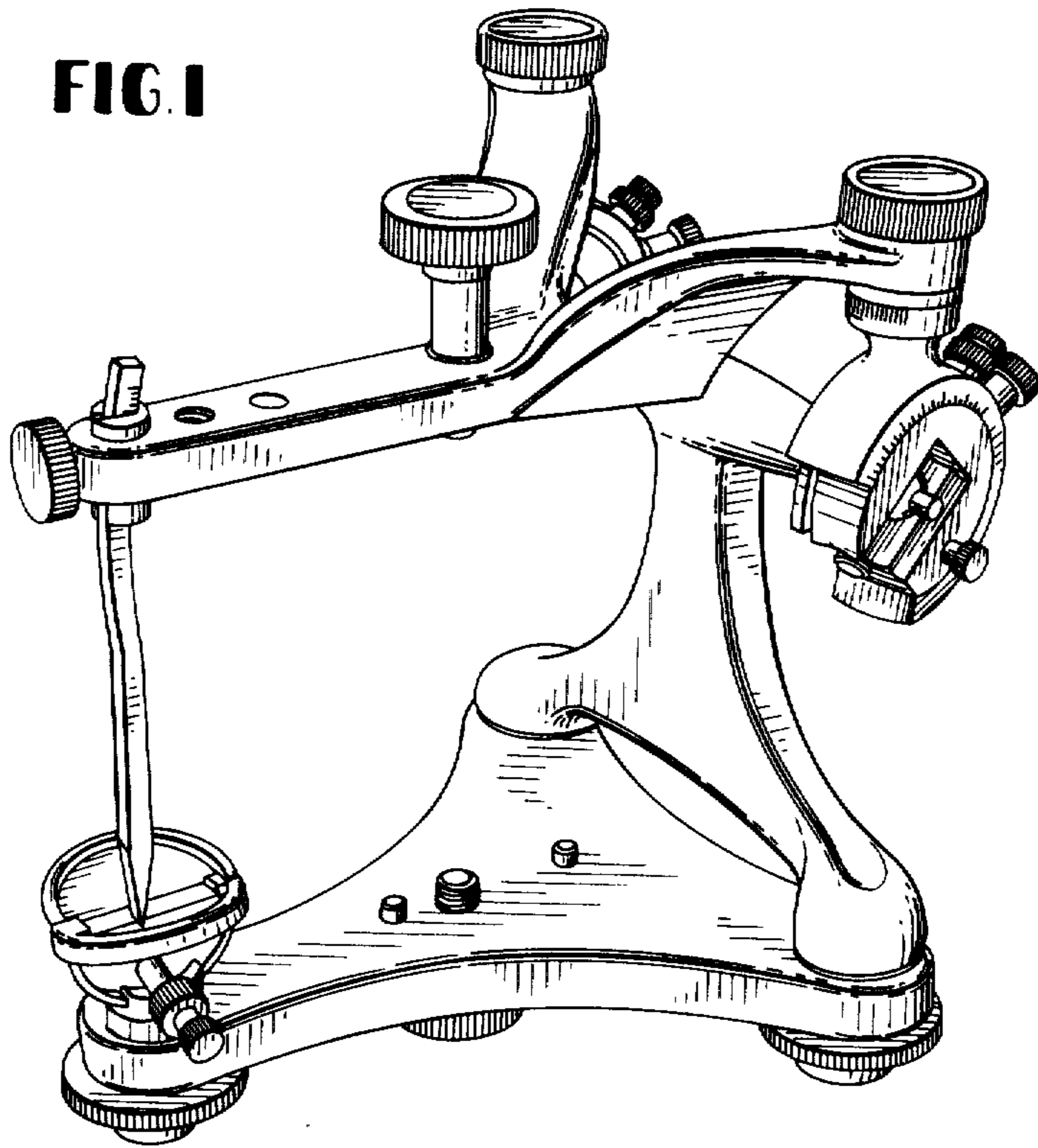
The ornamental design for an articulator for artificial dentures, as shown and described.

**DESCRIPTION**

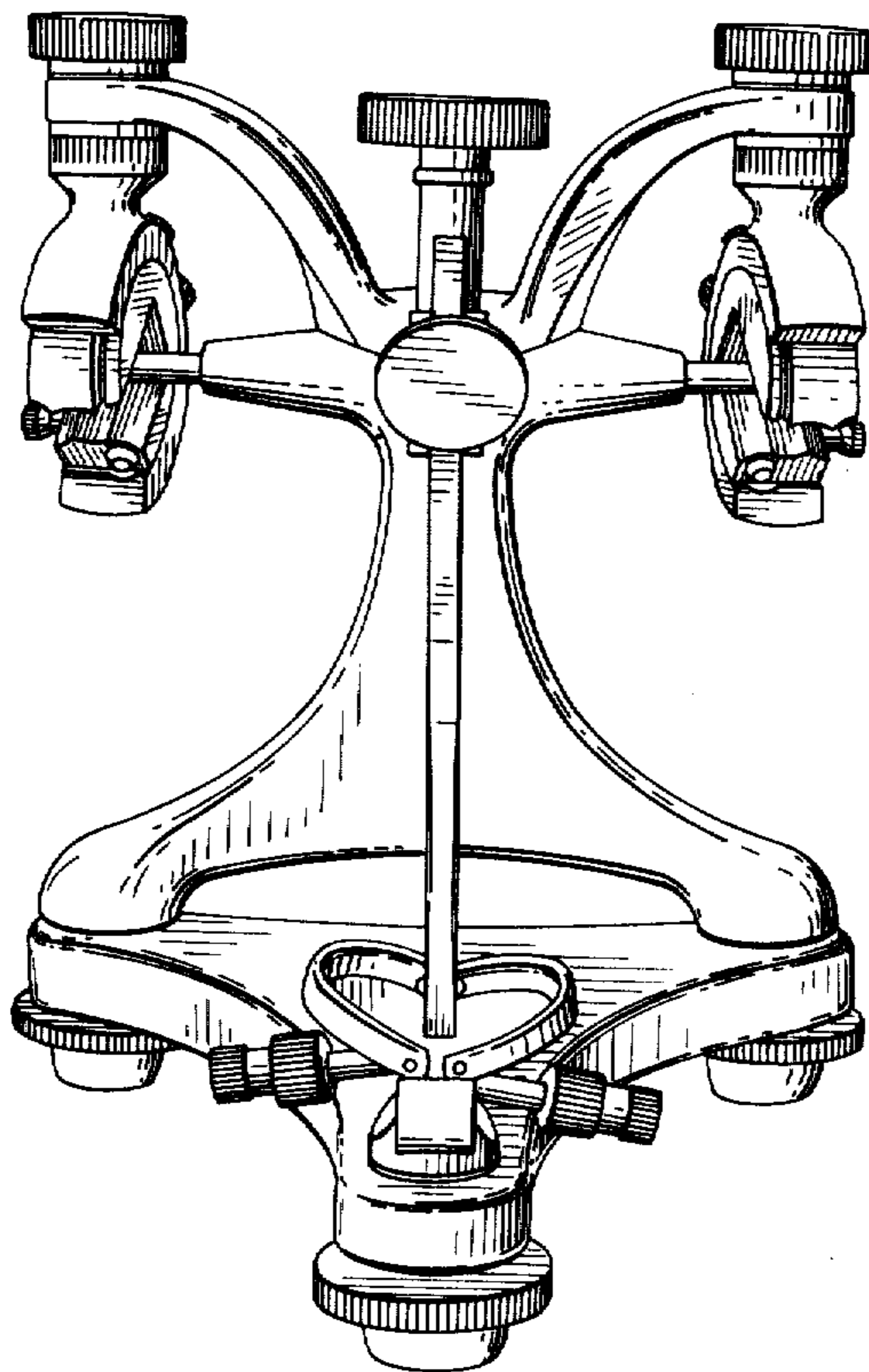
FIG. 1 is a top and front perspective view of an articulator for artificial dentures, showing my new design;  
 FIG. 2 is a front view thereof;  
 FIG. 3 is a rear view thereof;  
 FIG. 4 is a bottom plan view thereof;  
 FIG. 5 is a top plan view thereof;  
 FIG. 6 is a side elevational view thereof from one side;  
 FIG. 7 is a side elevational view from the side opposite that shown in FIG. 6; and  
 FIG. 8 is a top perspective view thereof, taken from the side opposite that shown in FIG. 1, and showing the articulator in its fully open position.



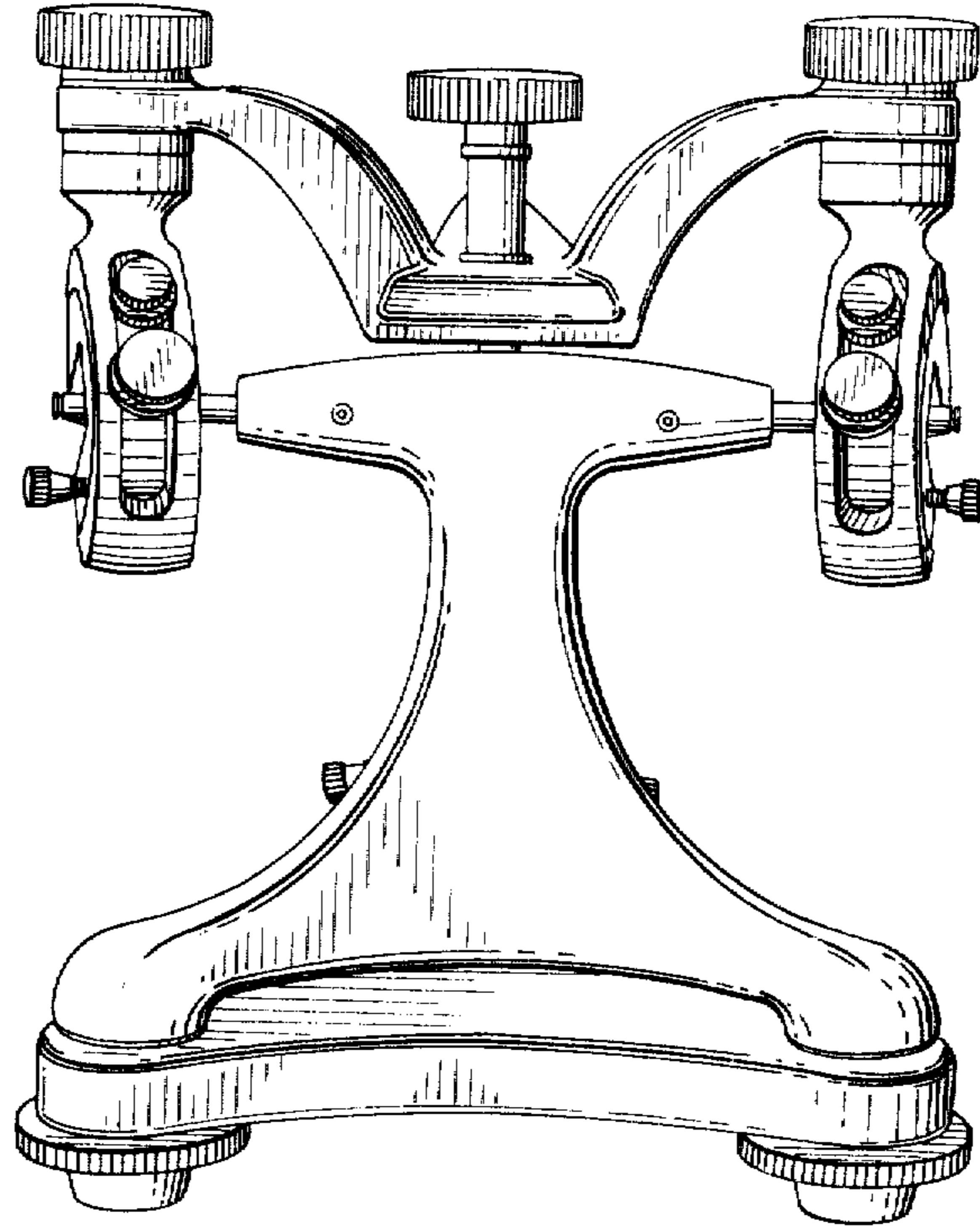
**FIG. 1**



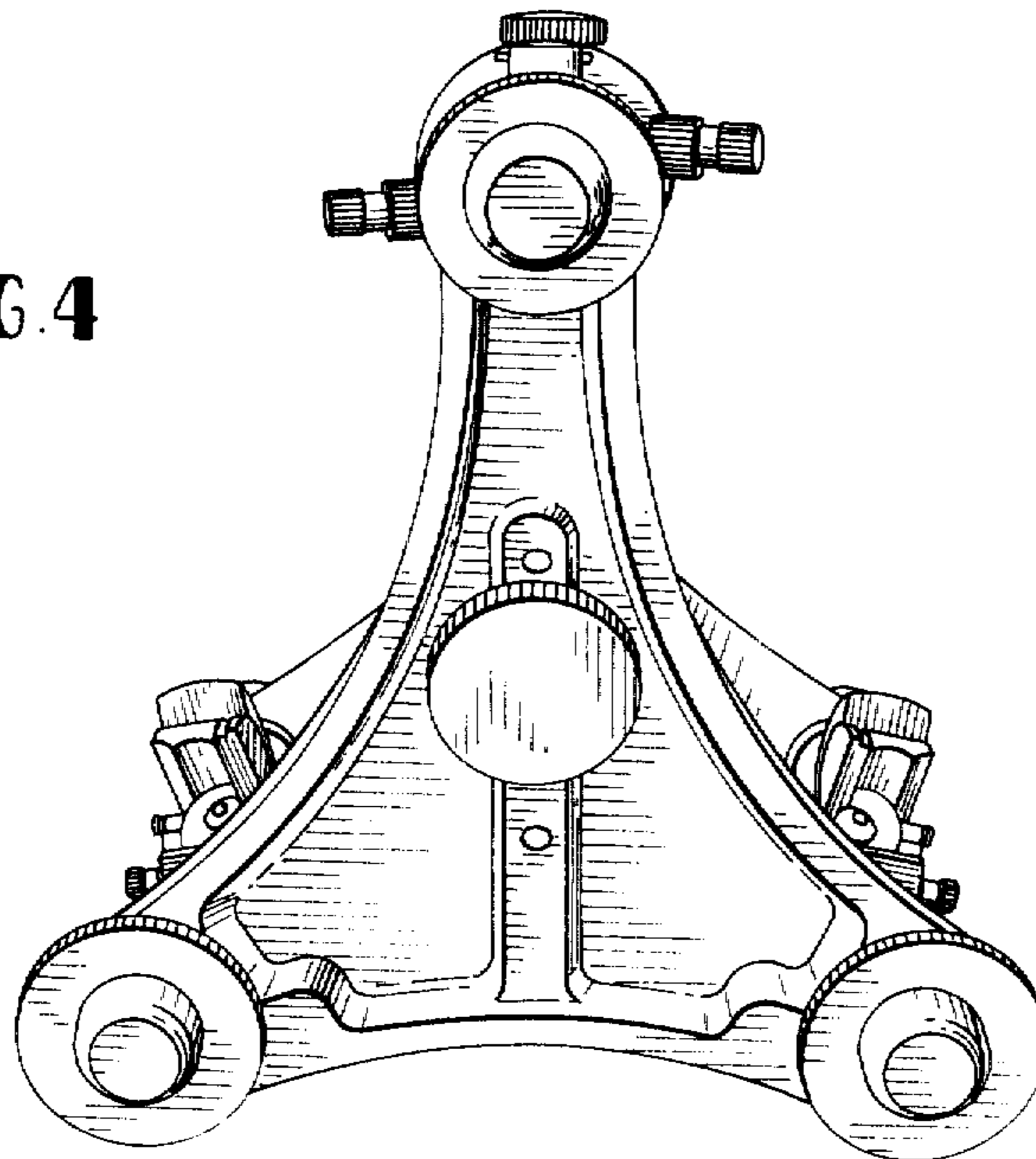
**FIG. 2**



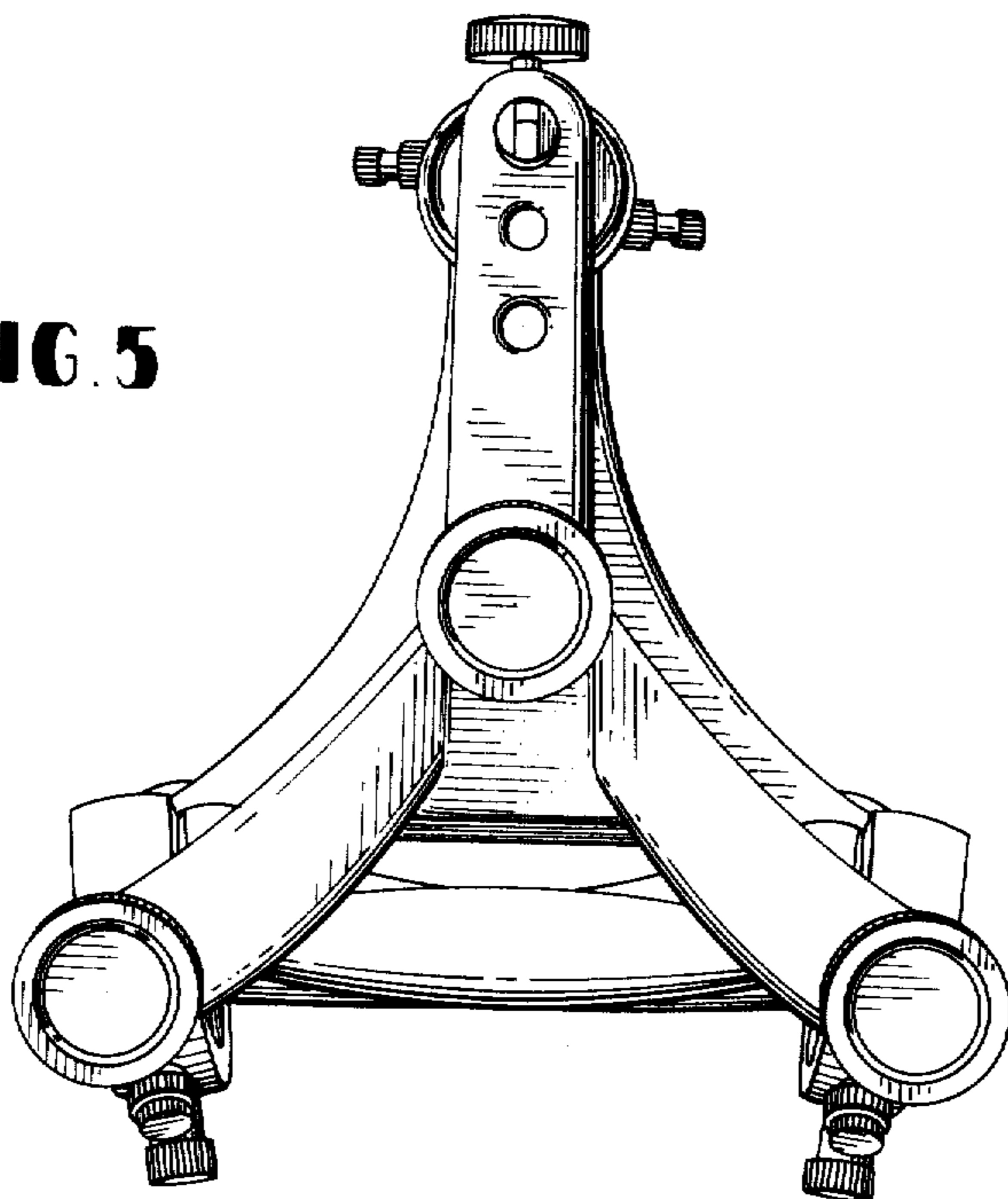
**FIG. 3**



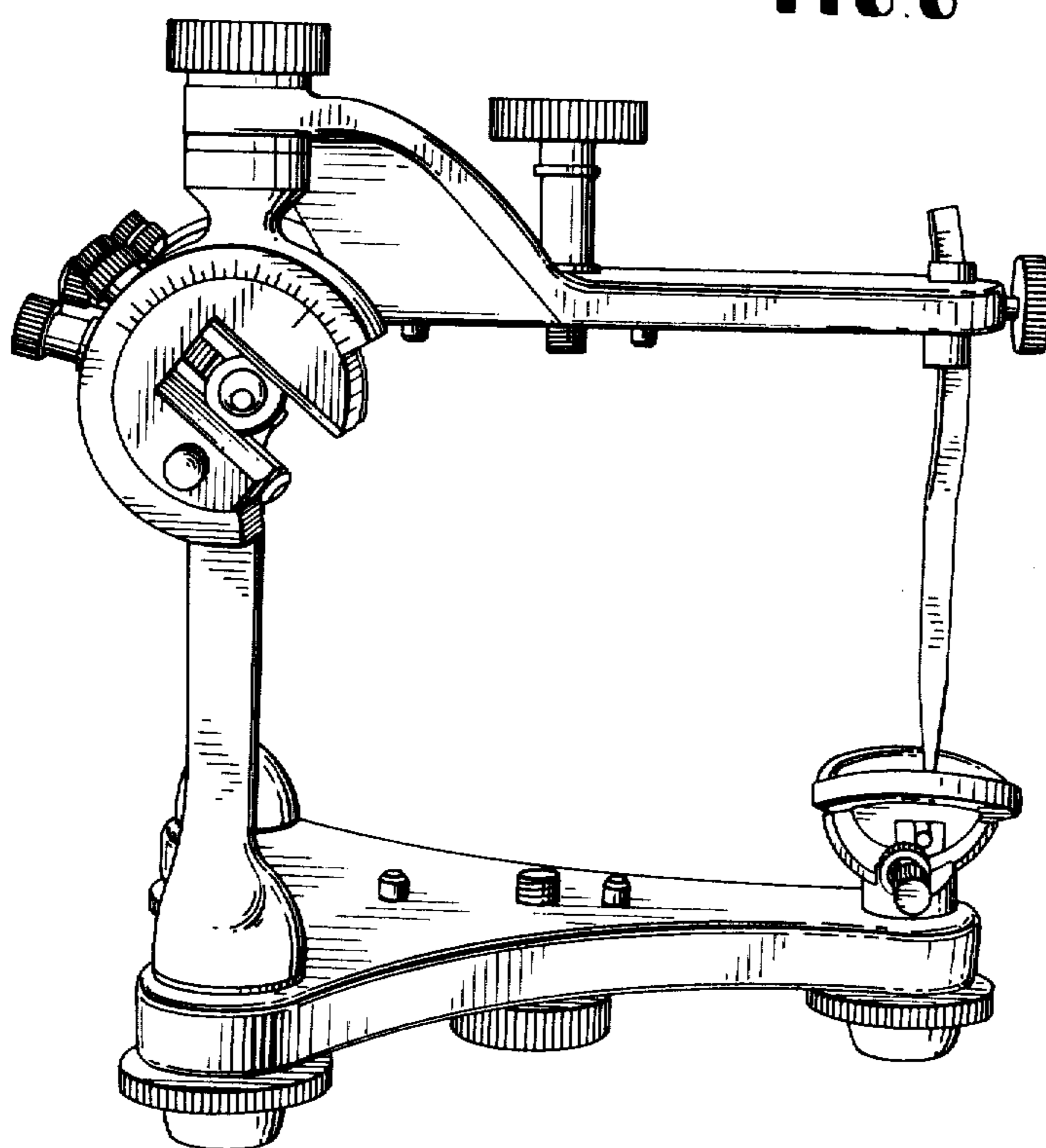
**FIG. 4**



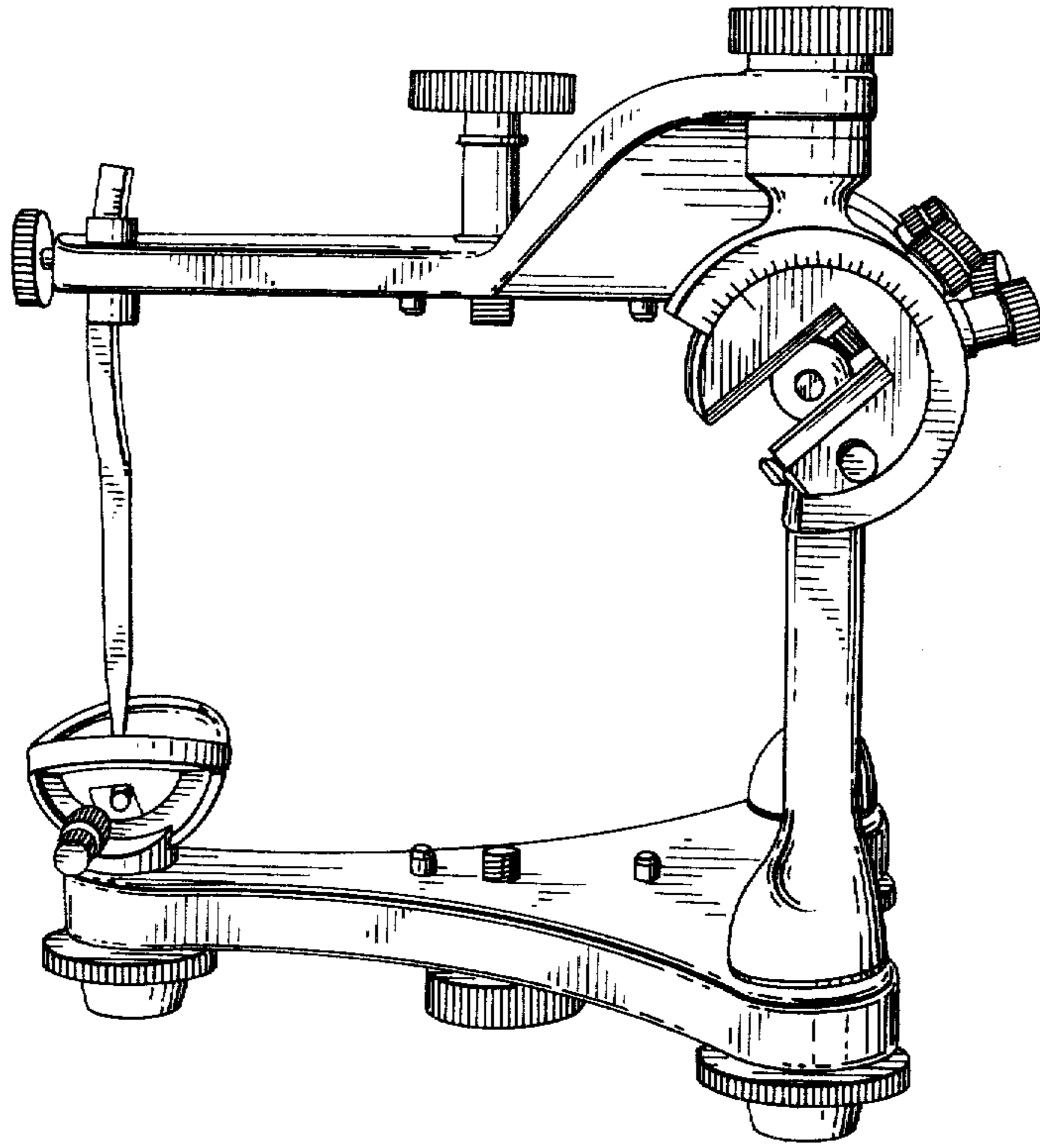
**FIG. 5**



**FIG. 6**



**FIG. 7**



**FIG. 8**

