

[54] **HOUSING FOR A VENTILATING FAN**

[75] Inventor: **Hoy R. Bohanon, Jr., Muskogee, Okla.**

[73] Assignee: **Acme Engineering & Manufacturing Corporation, Muskogee, Okla.**

[\*\*] Term: **14 Years**

[21] Appl. No.: **964,516**

[22] Filed: **Nov. 29, 1978**

[51] Int. Cl. .... **D23-04**

[52] U.S. Cl. .... **D23/163**

[58] Field of Search ..... **D23/150-163; 415/121 G, 207, 219 R**

1,752,427	4/1930	Fales .....	415/207
1,807,397	5/1931	Fochheimer .....	415/207 X
2,191,341	2/1940	Curley .....	415/207
2,369,303	2/1945	Kurth et al. ....	D23/155 X
2,554,600	5/1951	Sutton .....	415/207 X
2,609,055	9/1952	Monroe .....	415/207 X
2,611,533	9/1952	Herrman et al. ....	415/207
2,808,197	10/1957	Forgo .....	415/207 X
3,173,604	3/1965	Sheets et al. ....	415/207 X
3,313,342	4/1967	Laing .....	415/207 X
3,334,807	8/1967	McMahan .....	415/207

[56] **References Cited**

**U.S. PATENT DOCUMENTS**

D. 102,083	11/1936	Hueglin .....	D23/158
D. 129,935	10/1941	Wilcoxson .....	D23/158
D. 211,576	7/1968	Jenn et al. ....	D23/155
D. 232,095	7/1974	Rousey .....	D23/155
D. 249,158	8/1978	Morrow .....	D23/158
613,775	11/1898	Parsons .....	415/207
1,370,283	3/1921	Carlson .....	415/207
1,497,408	6/1924	Seelig .....	415/207
1,642,205	9/1927	Hosch .....	415/207

### OTHER PUBLICATIONS

Architectural Forum, Dec. 1959, p. 29, center right item.

*Primary Examiner*—James R. Largen  
*Attorney, Agent, or Firm*—Staas and Halsey

### [57] CLAIM

The ornamental design for a housing for a ventilating fan, as shown and described.

### DESCRIPTION

FIG. 1 is perspective view of a housing for a ventilating fan showing my new design;  
FIG. 2 is a top plan view thereof, the bottom, right side and left side being the same as the top shown;  
FIG. 3 is a rear elevational view thereof;  
FIG. 4 is a front elevational view thereof.

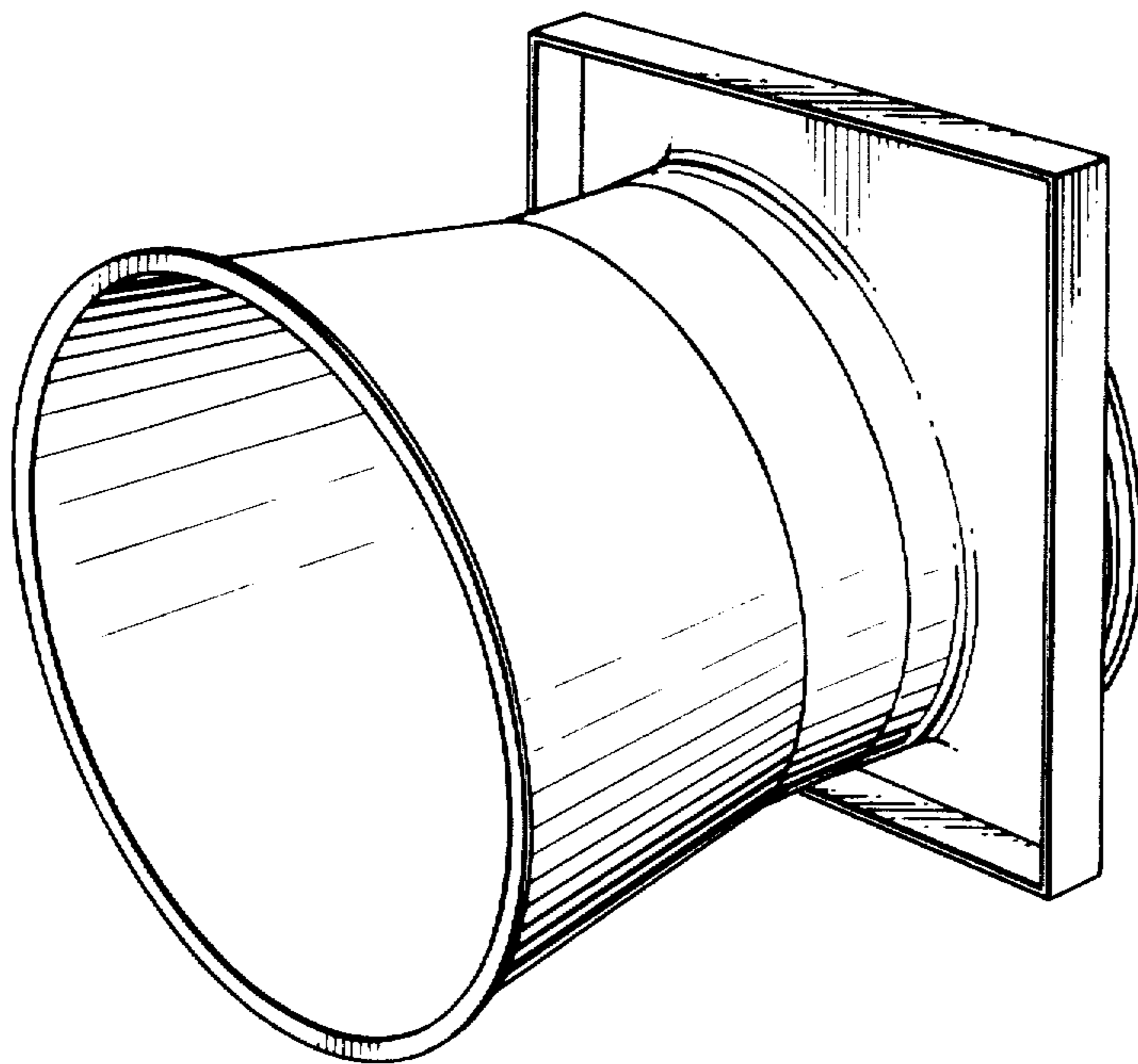


FIG. 1.

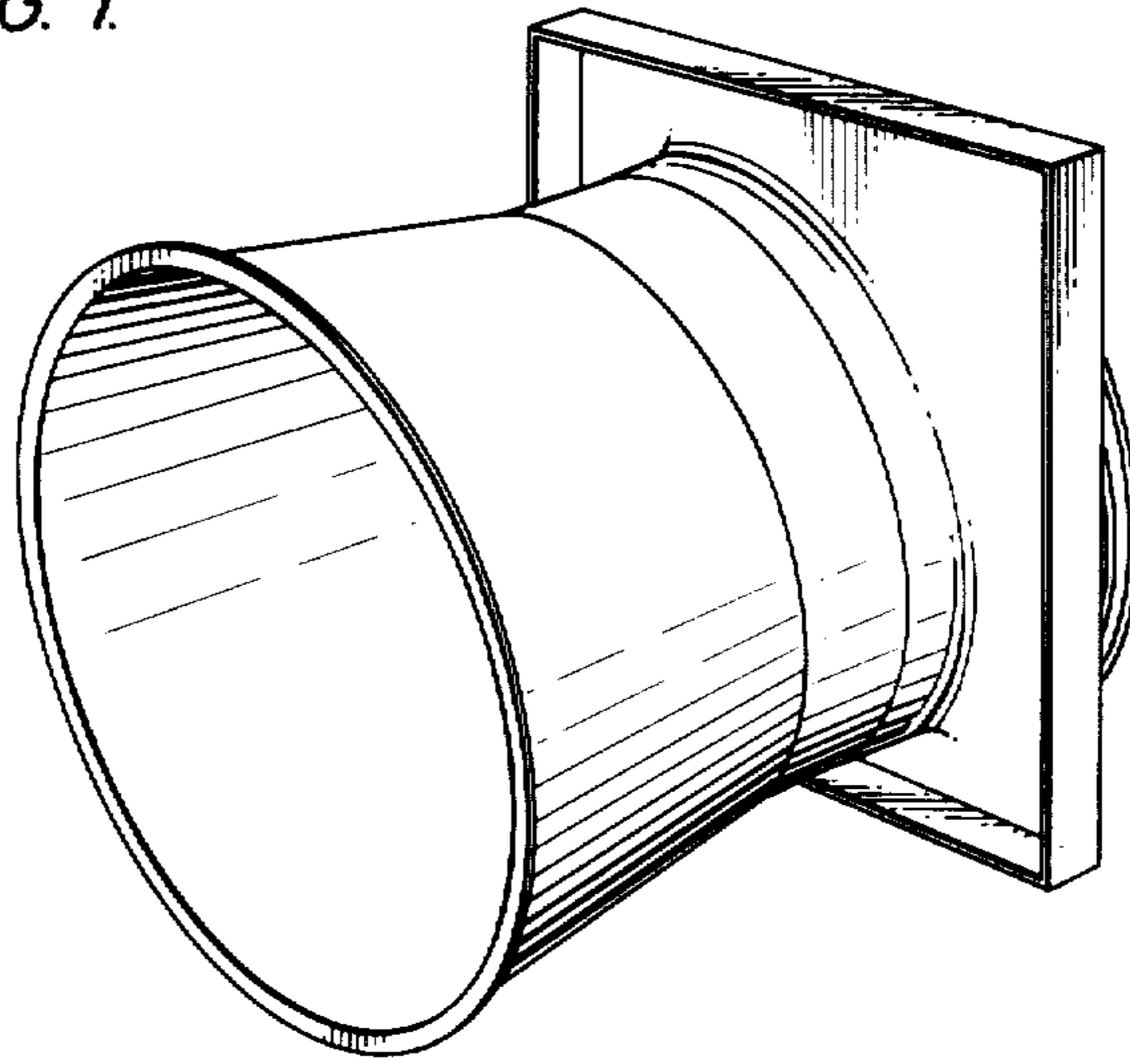


FIG. 2.

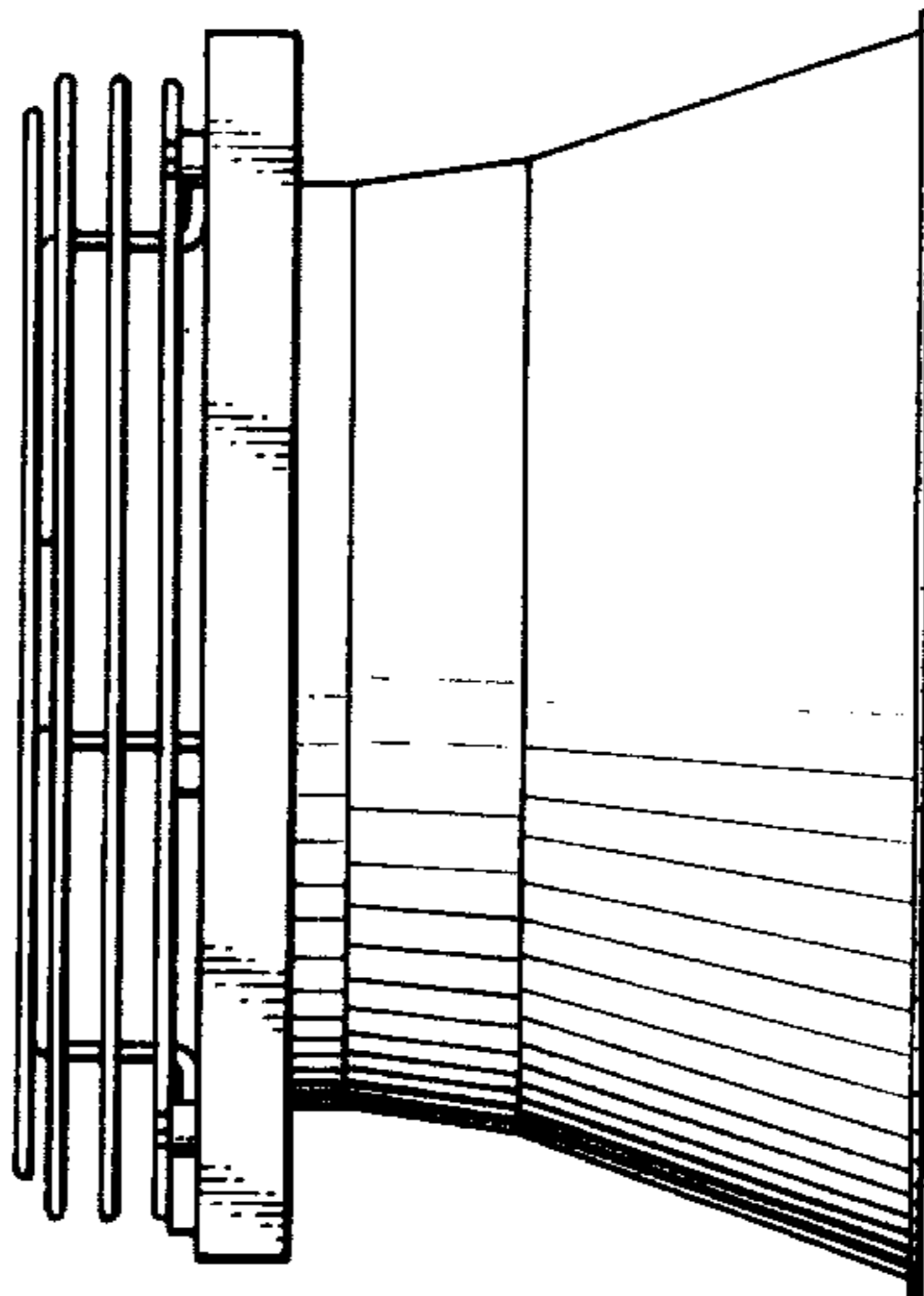


FIG. 3.

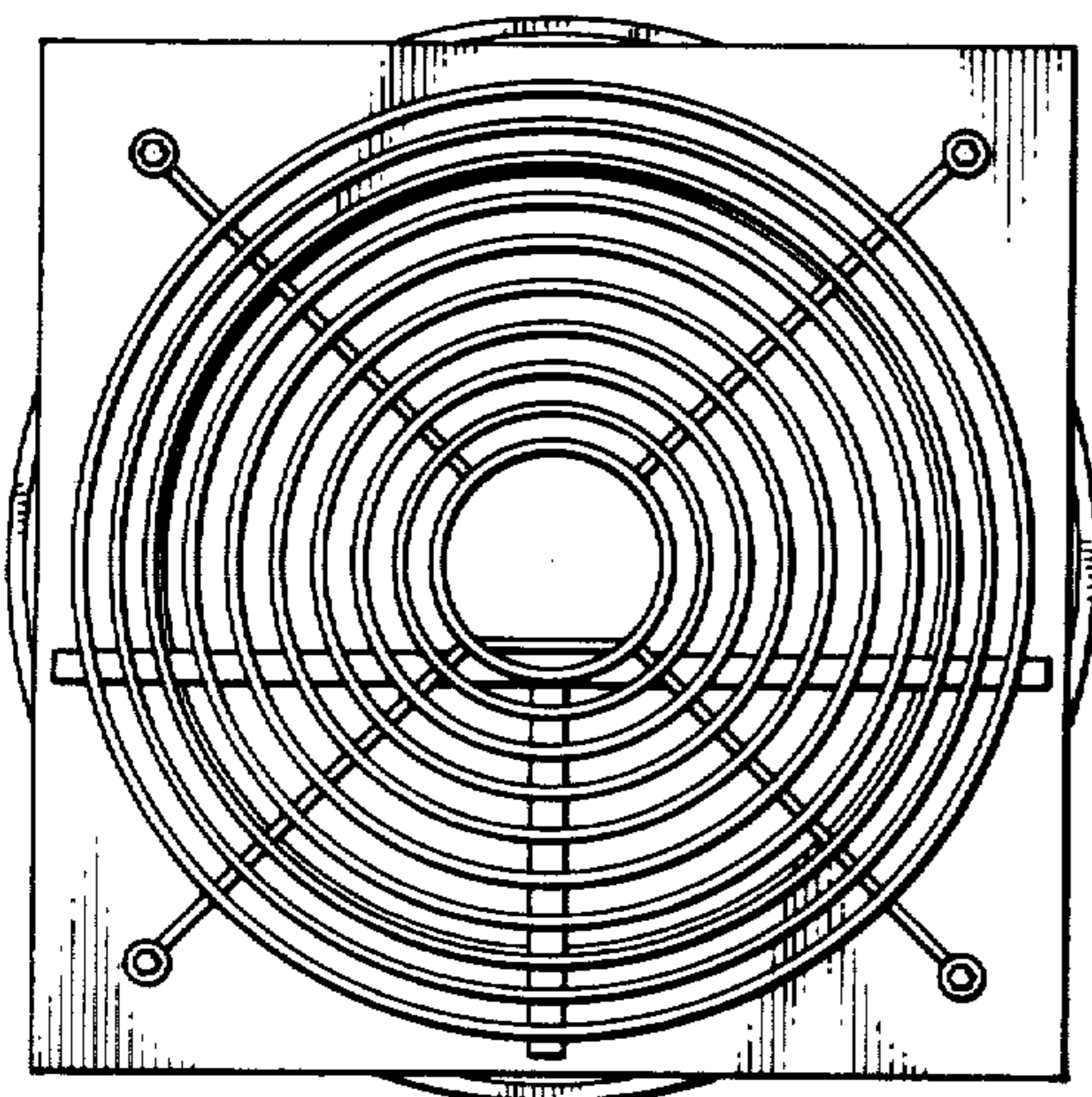


FIG. 4.

