

[54] **PATHOLOGICAL WASTE INCINERATOR WITH COUNTERBALANCED ACCESS DOOR AND LOWER STACK SECTION**

1,115,346 10/1914 Stiles 110/177 X
2,483,968 10/1949 Ecklund 110/176
3,044,460 7/1962 Hoskinson 110/235 X
3,935,824 2/1976 Gibeault 110/242 X

[75] Inventor: **William H. Johnson**, Harrisonburg, Va.

Primary Examiner—A. Hugo Word
Attorney, Agent, or Firm—Mason, Fenwick & Lawrence

[73] Assignee: **Shenandoah Manufacturing Co., Inc.**, Harrisonburg, Va.

[57] **CLAIM**

[**] Term: **14 Years**

The ornamental design for a pathological waste incinerator with counterbalanced access door and lower stack section, as shown and described.

[21] Appl. No.: **81,261**

DESCRIPTION

[22] Filed: **Oct. 2, 1979**

FIG. 1 is a perspective view of the pathological waste incinerator with counterbalanced access door and lower stack section, viewed from the front and above the same, showing my new design;
FIG. 2 is a top plan view thereof;
FIG. 3 is a left side elevation view thereof, the opposite side elevation being the mirror image thereof;
FIG. 4 is a front end elevation view thereof; and
FIG. 5 is a rear end elevation view thereof.
The bottom of the incinerator is plain.

[51] Int. Cl. **D23—99**

[52] U.S. Cl. **D23/85**

[58] Field of Search D23/85; 110/235, 246, 110/176, 177, 178; 220/262

[56] **References Cited**

U.S. PATENT DOCUMENTS

D. 187,898 5/1960 Sherman D23/85

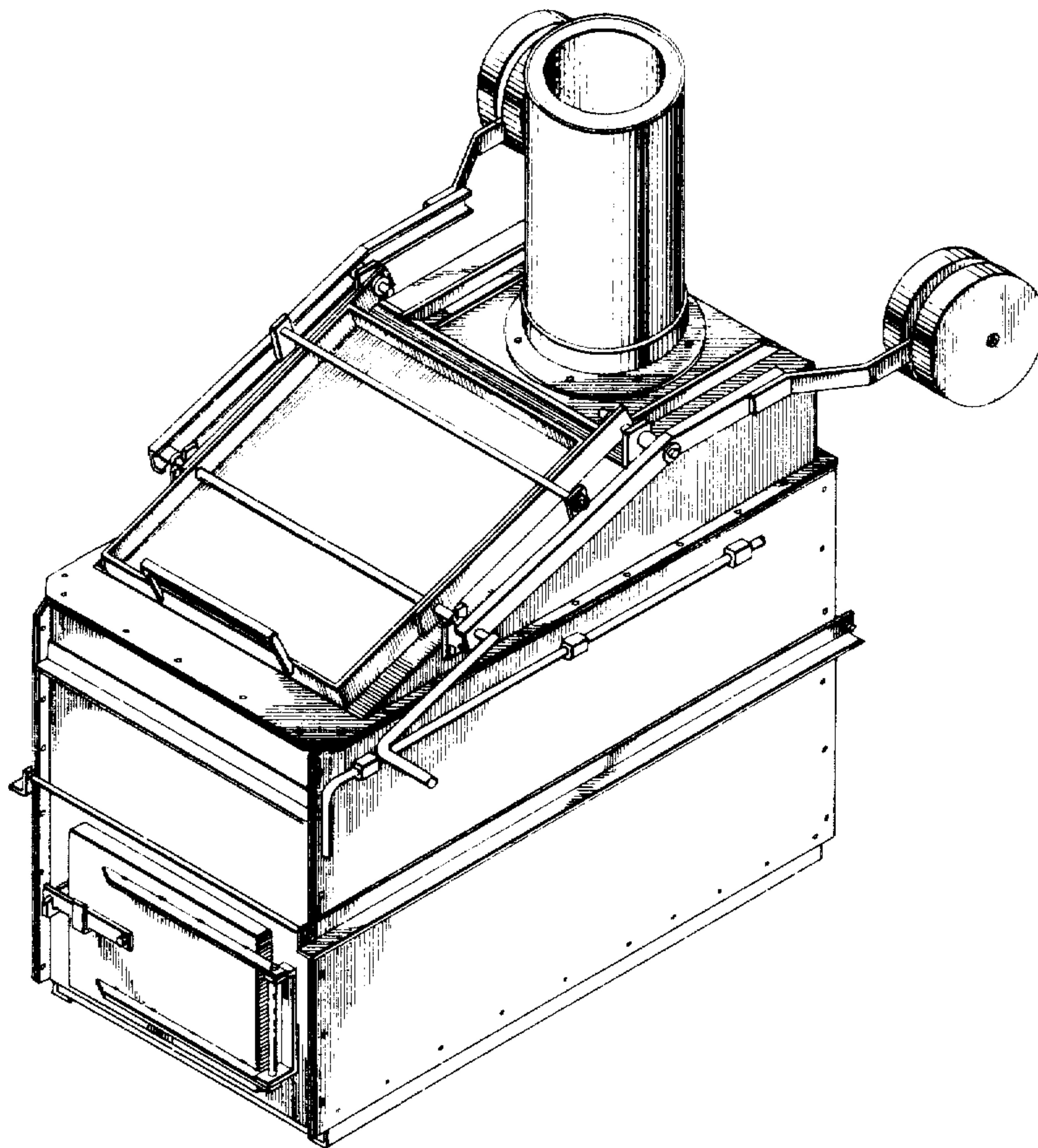


FIG-1

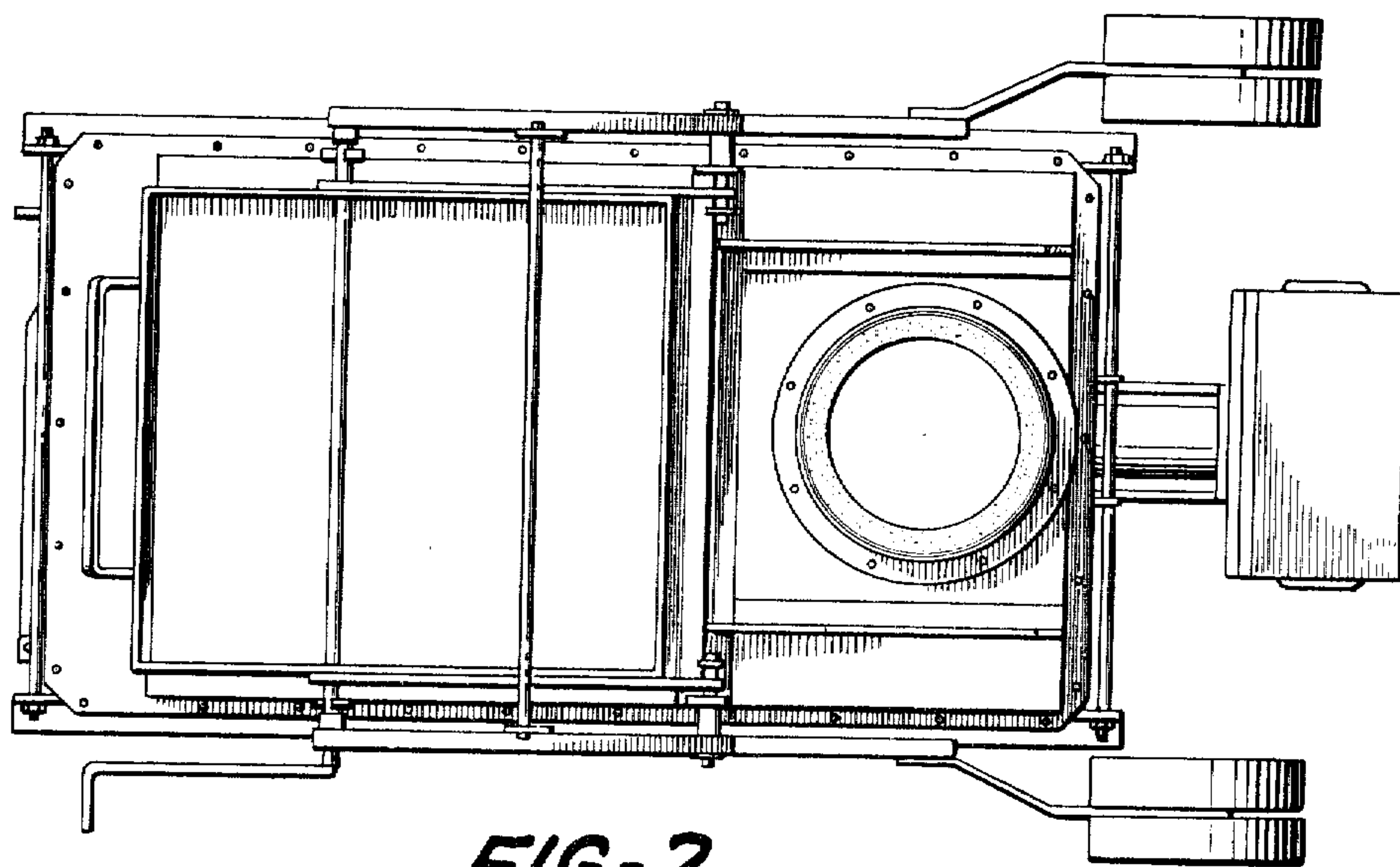
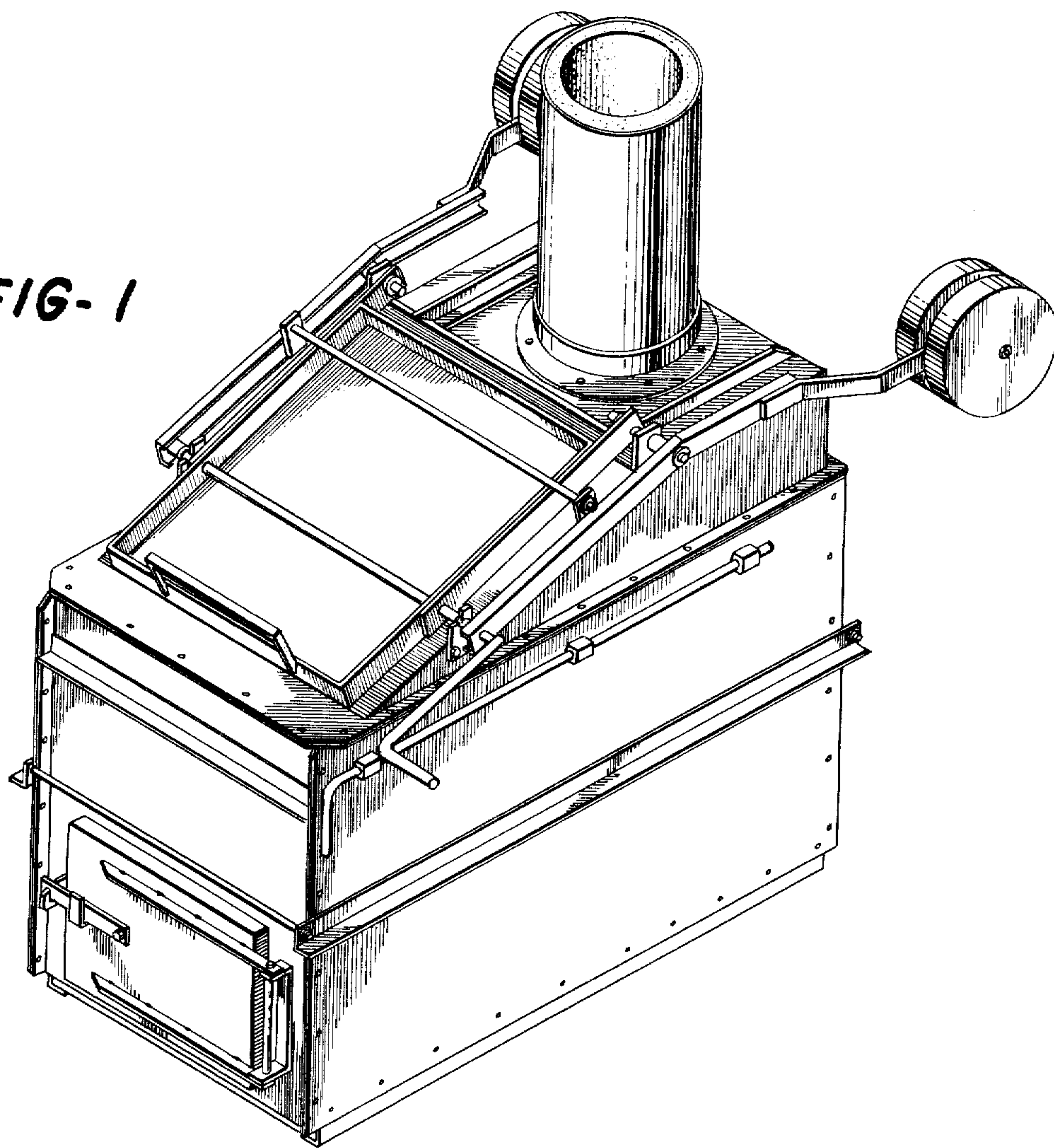


FIG-2

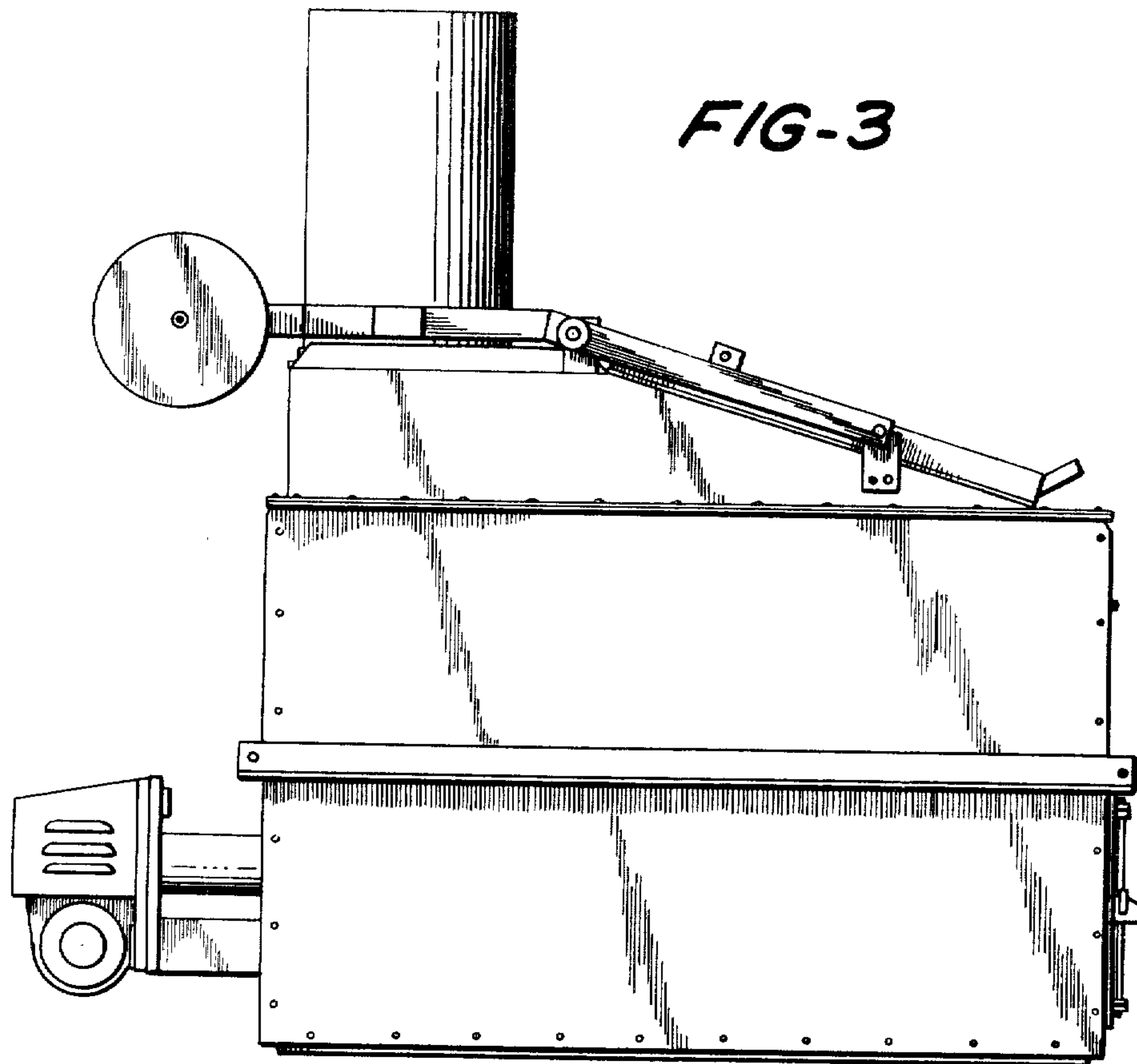


FIG-3

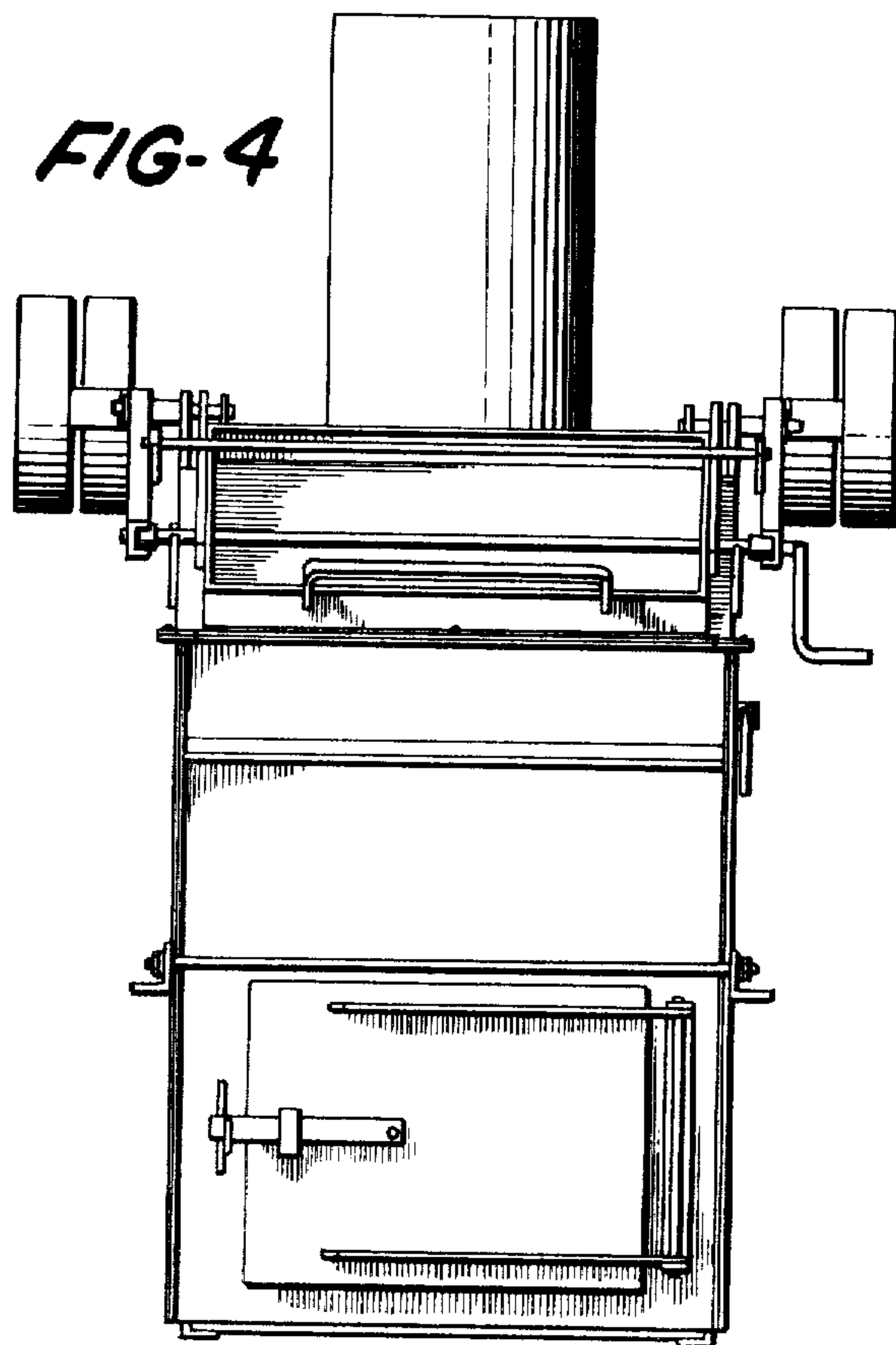


FIG-4

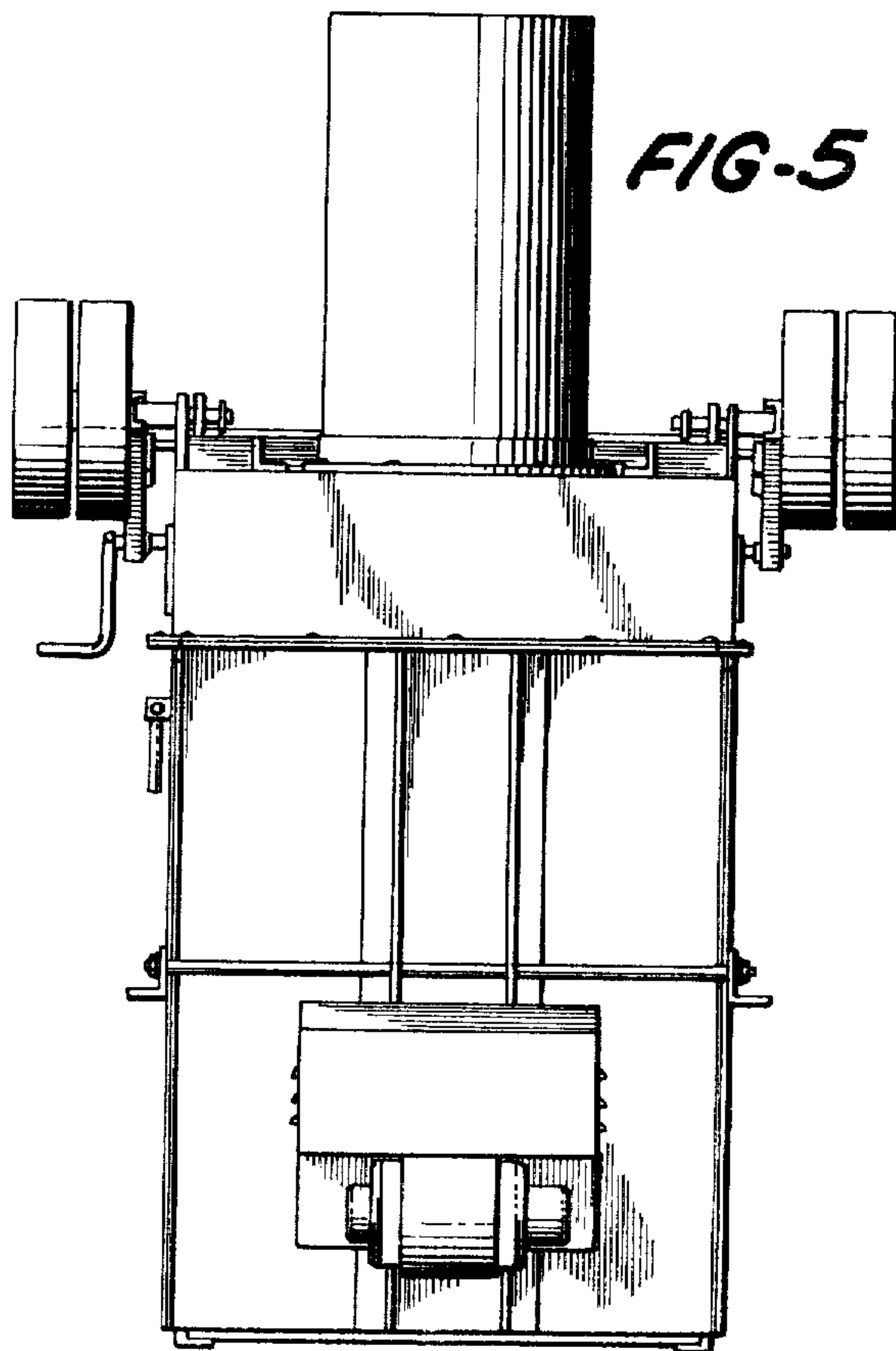


FIG-5