

[54] WATER CLOSET

[76] Inventor: Andrew L. Alger, 230 Maple Ave.,
Wilmette, Ill. 60091

[**] Term: 14 Years

[21] Appl. No.: 60,210

[22] Filed: Jul. 24, 1979

[51] Int. Cl. D23-02

[52] U.S. Cl. D23/65

[58] Field of Search D23/48, 65-67;
4/249, 250, 300, 317, 321, 323, 329, 330, 420

[56] References Cited

U.S. PATENT DOCUMENTS

D. 188,750	9/1960	Swann	D23/65
D. 198,018	4/1964	Wadsworth	D23/65
D. 198,431	6/1964	Armstrong	D23/65
D. 199,235	9/1964	Tiller	D23/65

D. 200,461	3/1965	Mox	D23/65
D. 224,108	7/1972	Doman	D23/65
D. 226,910	5/1973	Doman	D23/51
D. 250,202	11/1978	Doman	D23/65
3,995,327	12/1976	Hendrick	4/300

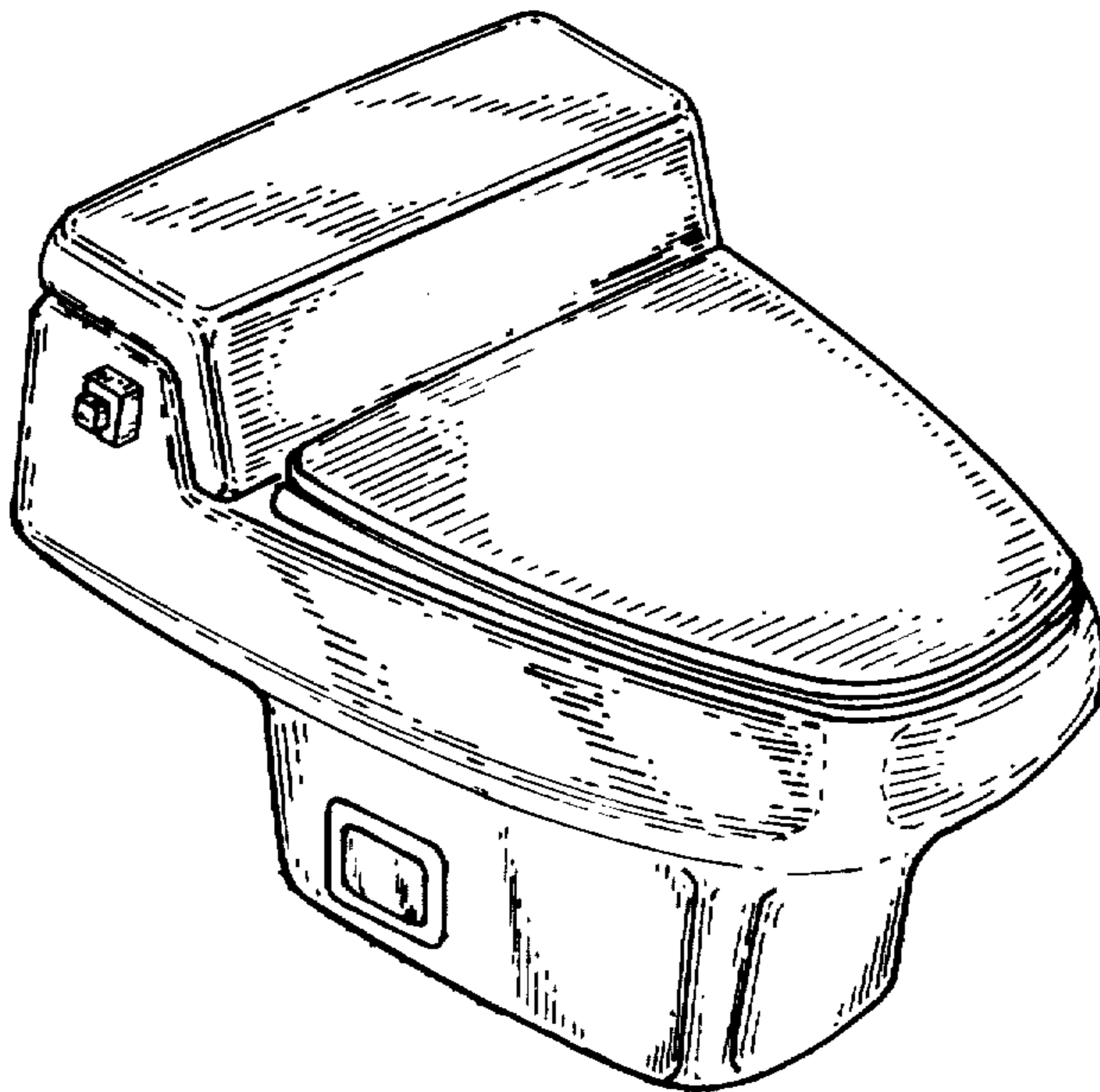
Primary Examiner—James R. Largen
Attorney, Agent, or Firm—Parmelee, Miller, Welsh &
Kratz

[57] CLAIM

The ornamental design for a water closet, as shown and described.

DESCRIPTION

FIG. 1 is a perspective view of a water closet showing my new design;
FIG. 2 is a top plan view thereof;
FIG. 3 is a left side elevational view thereof;
FIG. 4 is a front elevational view thereof;
FIG. 5 is a right side elevational view thereof; and
FIG. 6 is a rear elevational view thereof.



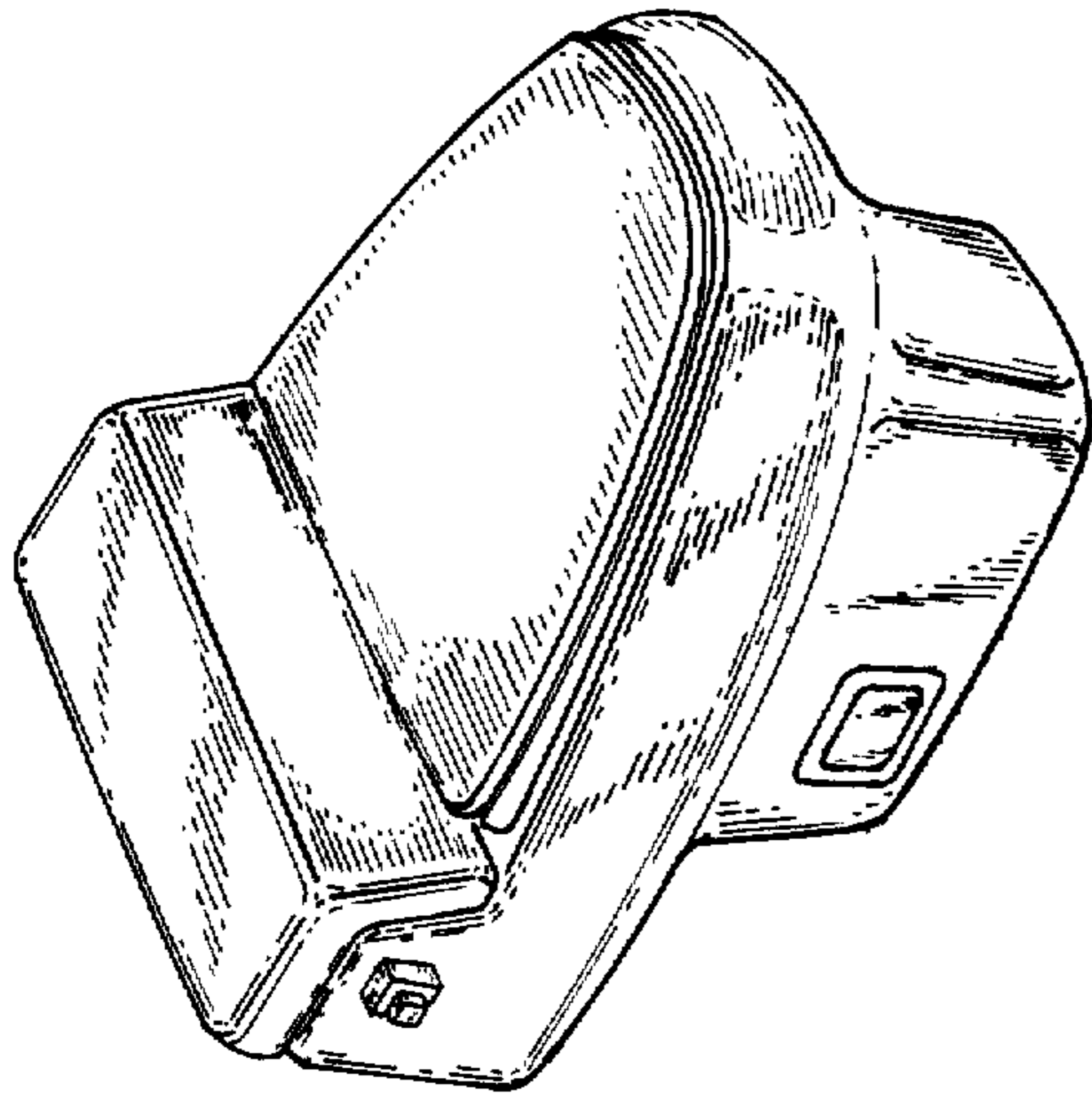


FIG. 1

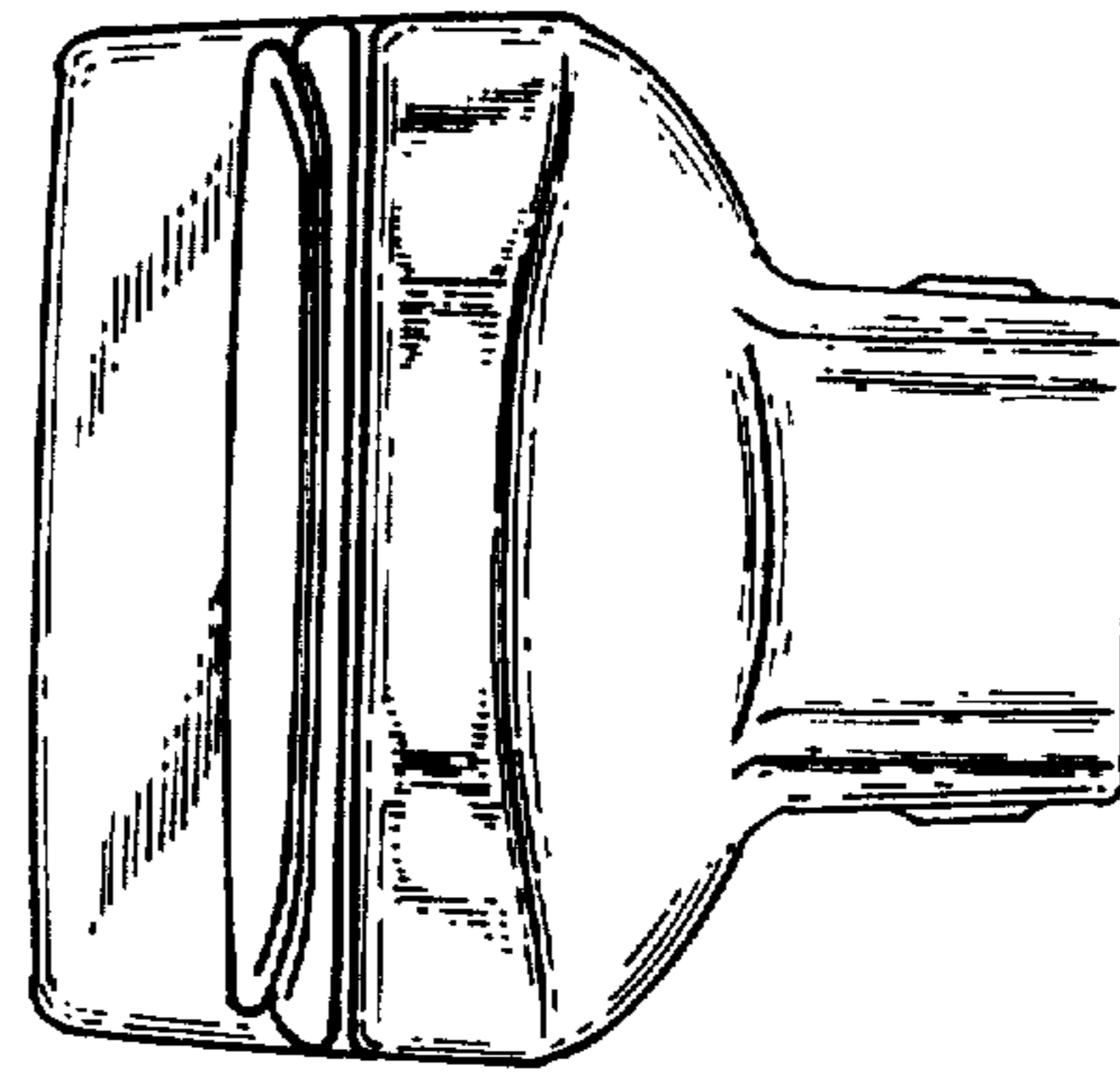


FIG. 4

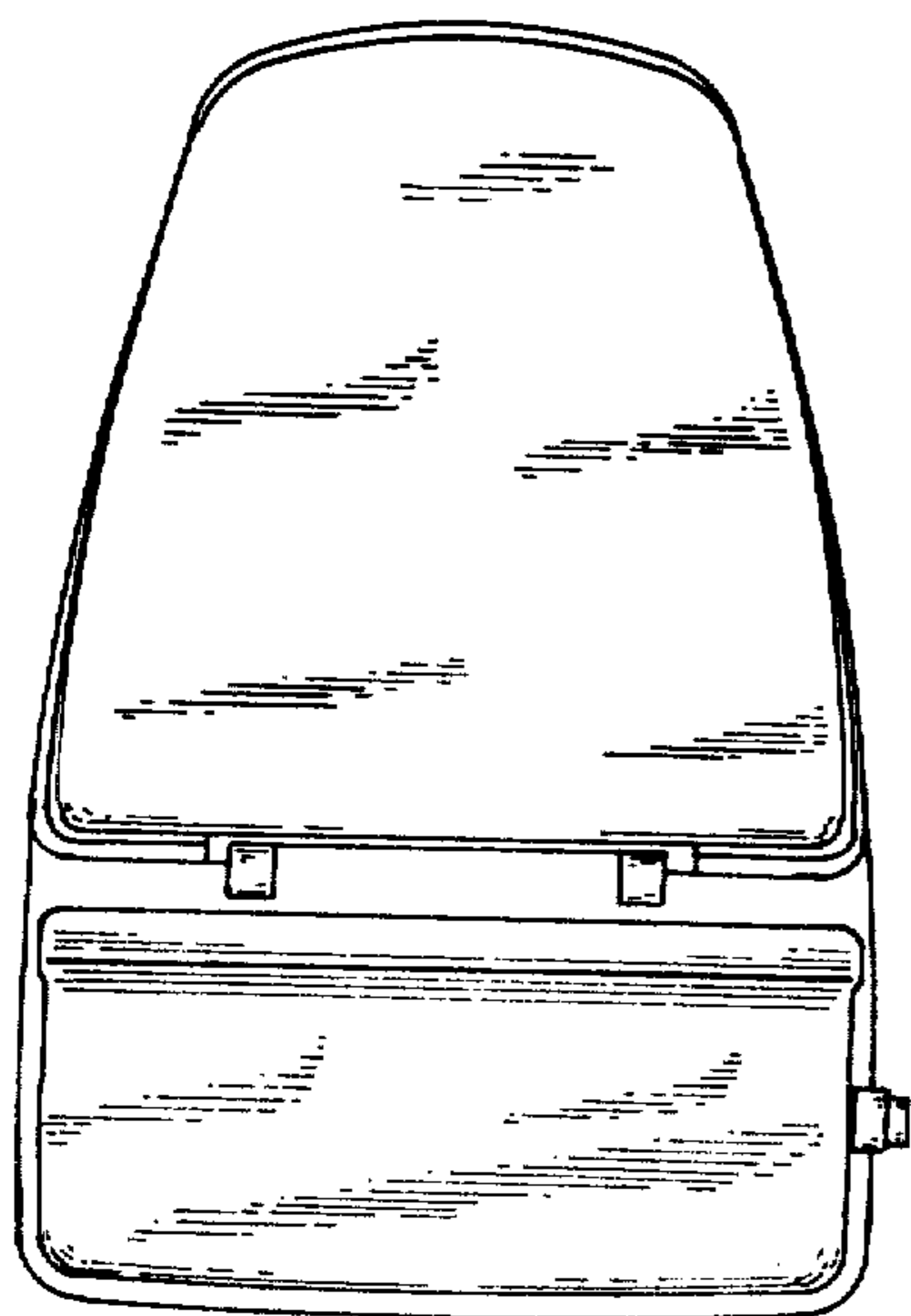


FIG. 2

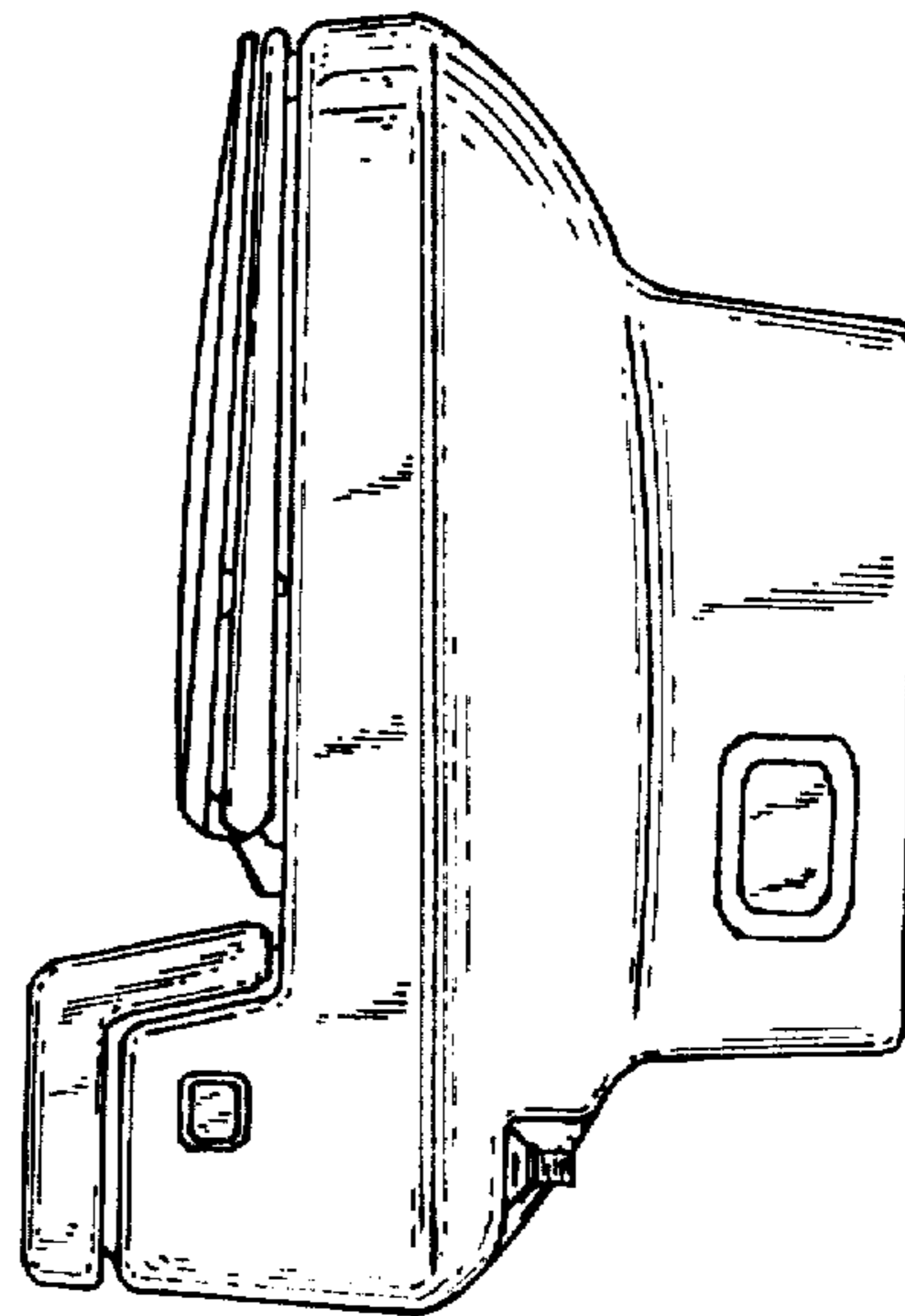


FIG. 3

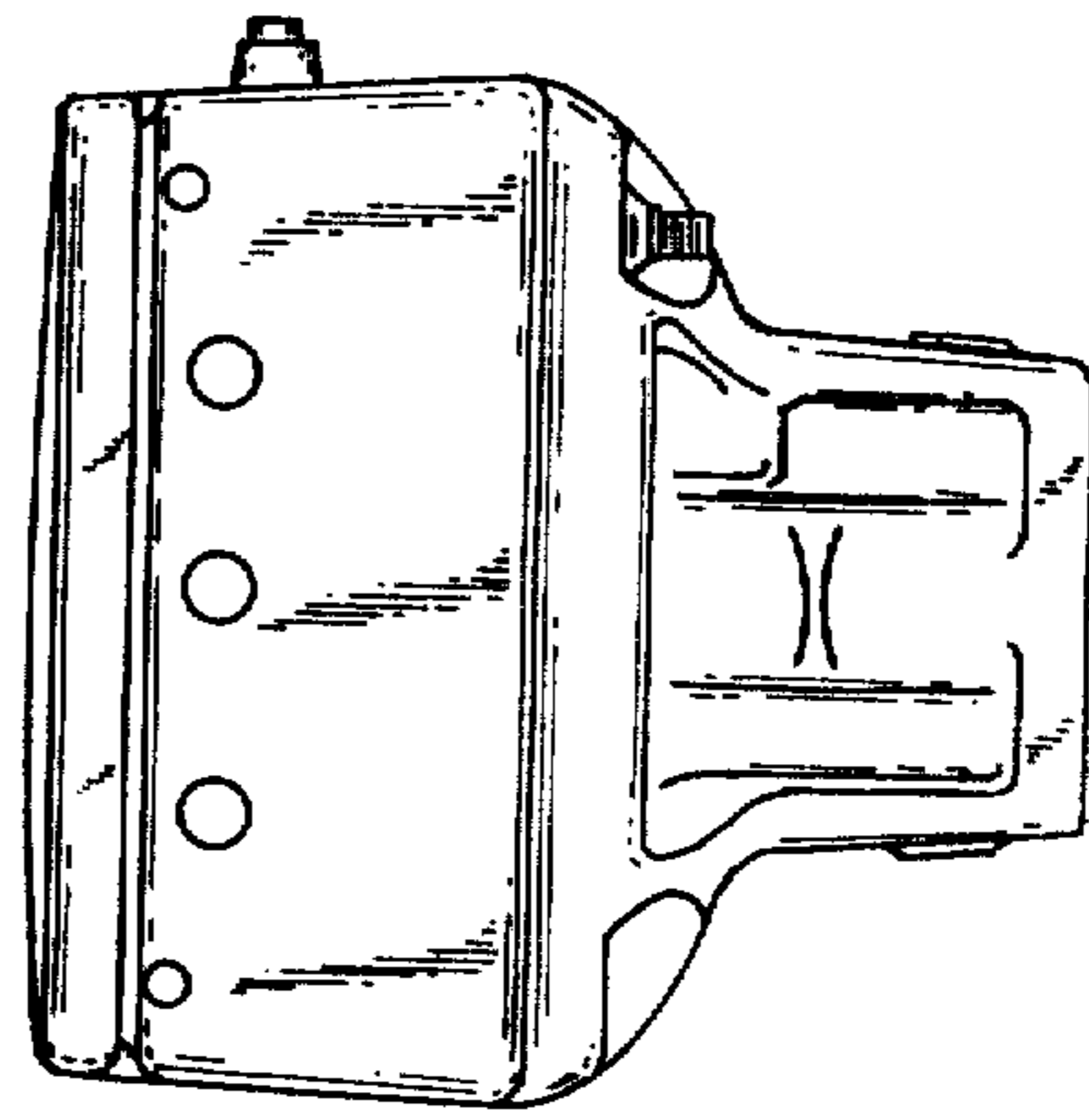


FIG. 6

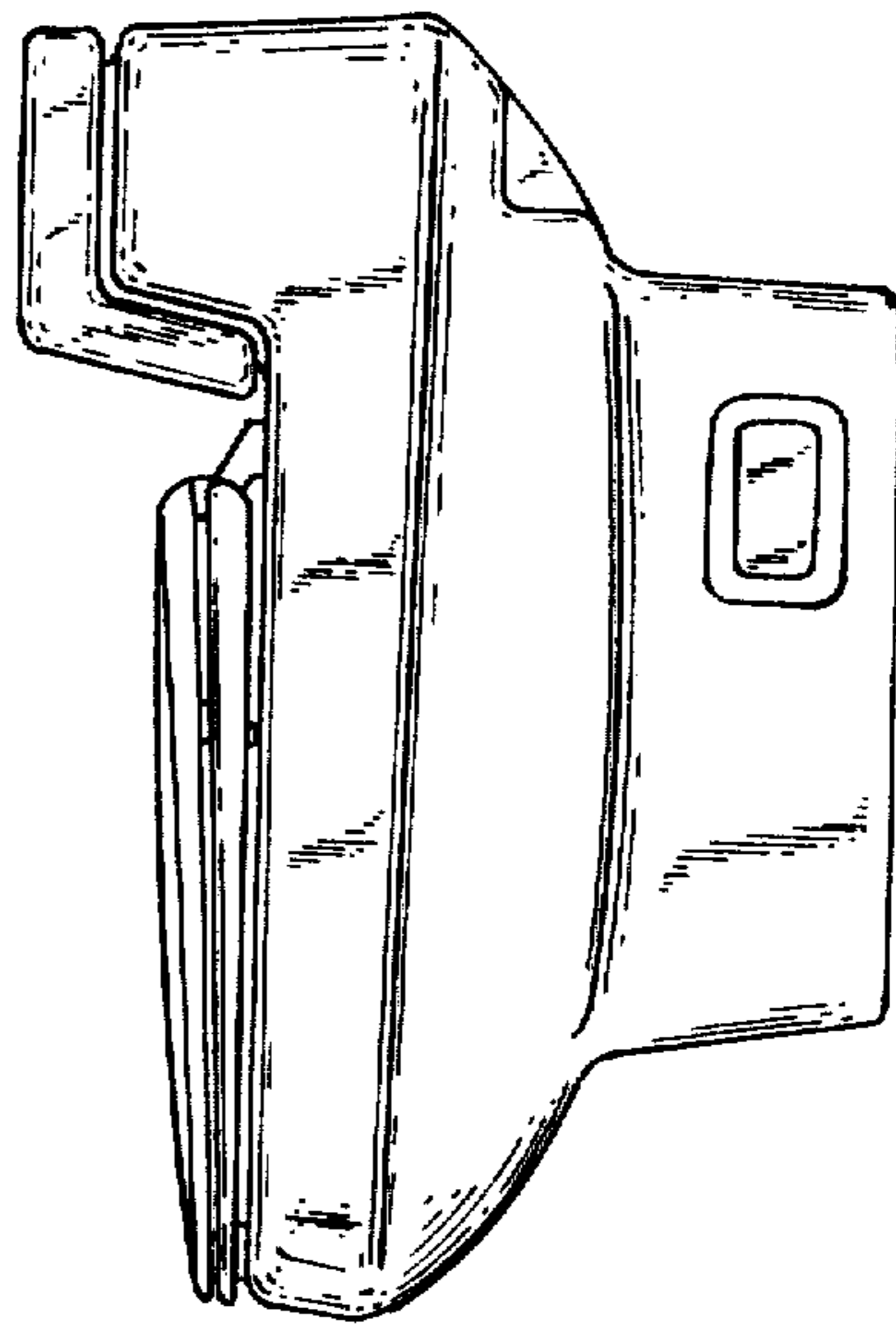


FIG. 5