

[54] BIDET OR SIMILAR ARTICLE

[75] Inventor: Jack N. Kaiser, Danville, Ky.

[73] Assignee: American Standard Inc., New York, N.Y.

[**] Term: 14 Years

[21] Appl. No.: 170,400

[22] Filed: Jul. 21, 1980

[51] Int. Cl. D23-02

[52] U.S. Cl. D23/51

[58] Field of Search D23/48, 51, 65-67; 4/249, 250, 300, 317, 321, 323, 329, 330, 420, 420.1-420.5, 443-448

[56] References Cited

U.S. PATENT DOCUMENTS

| | | | | |
|------------|--------|-----------|-------|--------|
| D. 201,661 | 7/1965 | Kaiser | | D23/67 |
| D. 206,569 | 1/1967 | Ament | | D23/51 |
| D. 211,728 | 7/1968 | Armstrong | | D23/51 |
| D. 256,609 | 8/1980 | Primault | | D23/51 |

Primary Examiner—James R. Largen
Attorney, Agent, or Firm—James J. Salerno, Jr.; Robert G. Crooks; John P. Sinnott

[57] CLAIM

The ornamental design for a bidet or similar article, substantially as shown and described.

DESCRIPTION

FIG. 1 is a perspective view taken from the top, front and left side of a bidet or similar article embodying my new design;

FIG. 2 is a right side elevational view thereof;

FIG. 3 is a front elevational view thereof;

FIG. 4 is a rear elevational view thereof; and

FIG. 5 is a top plan view thereof.

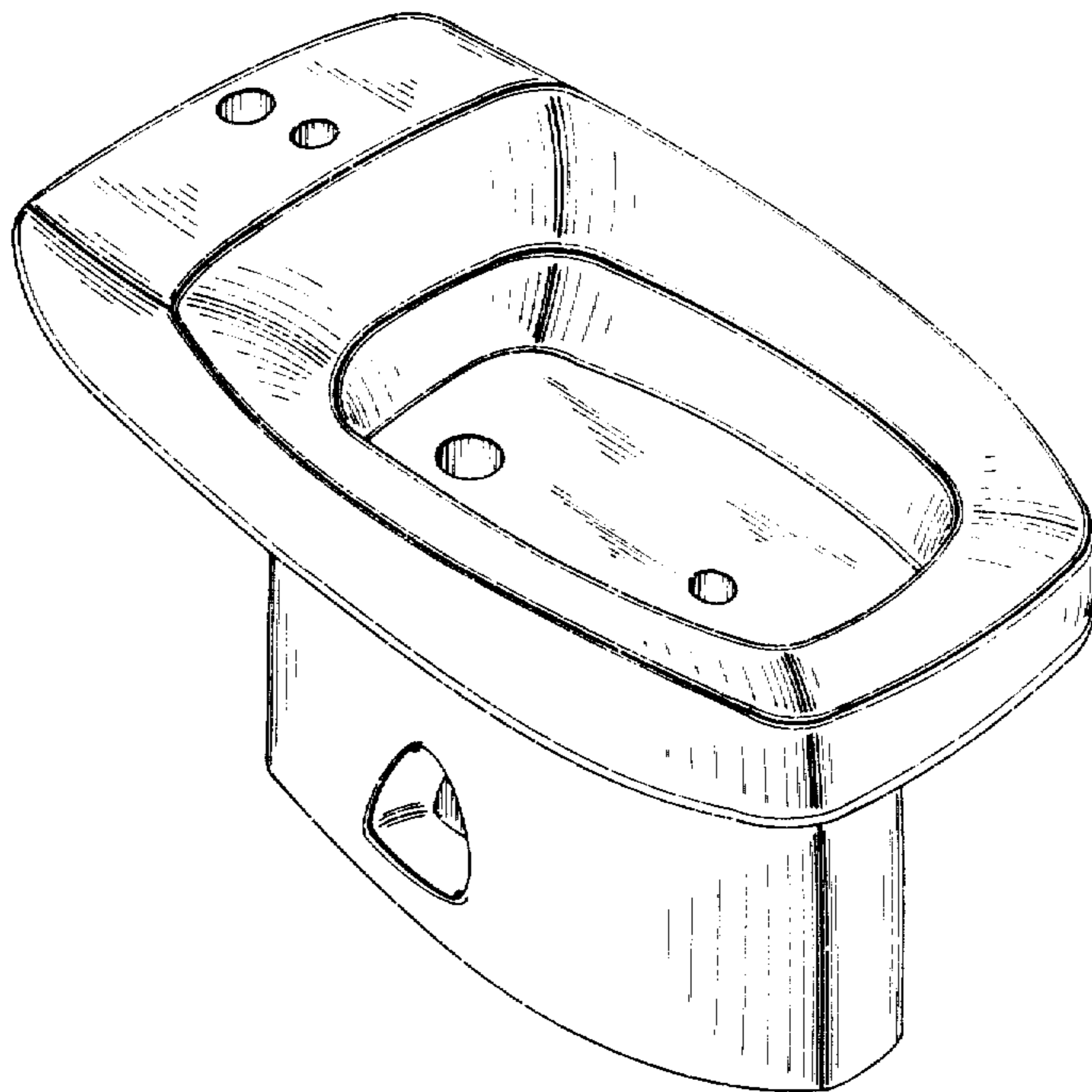
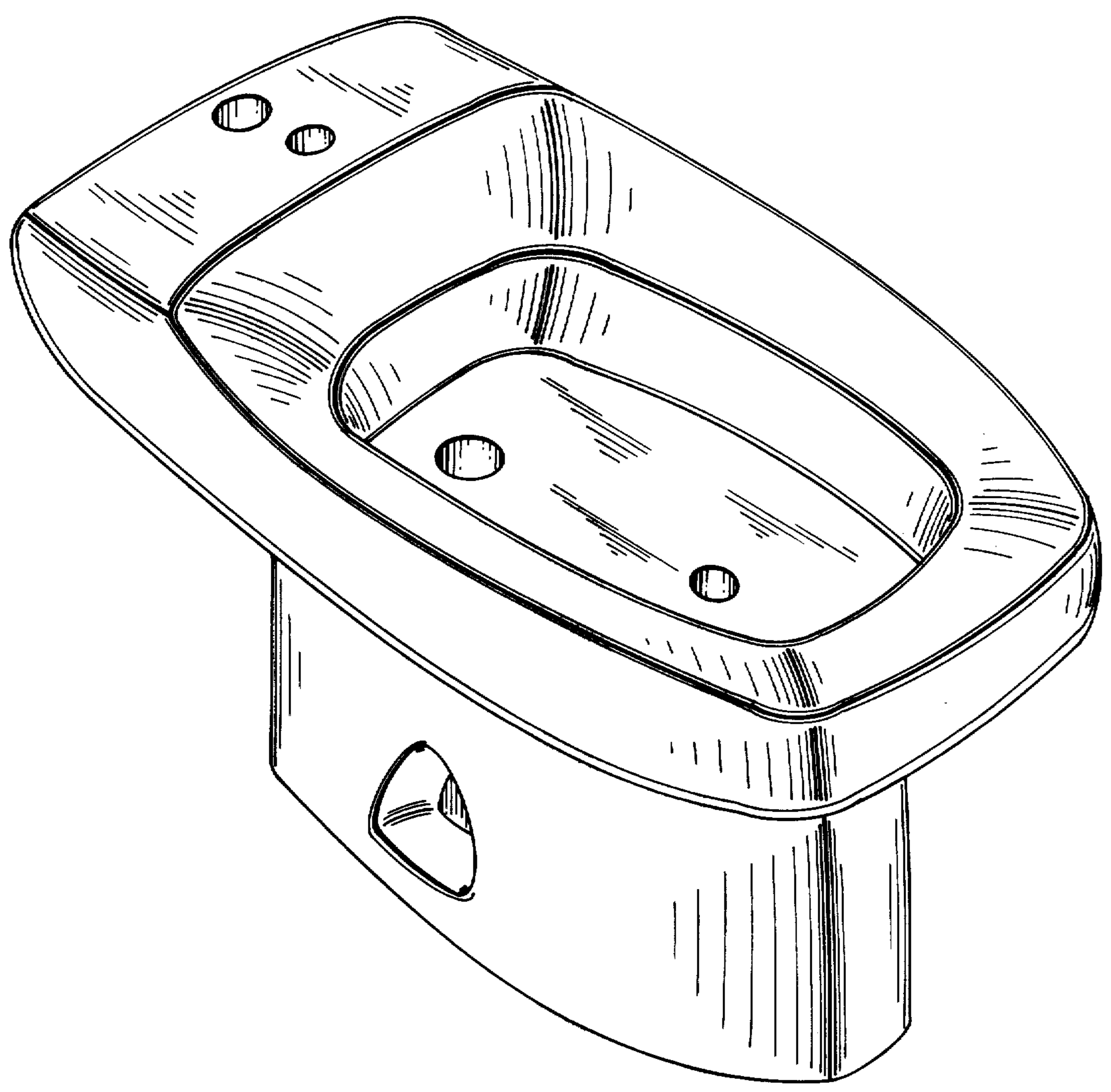


FIG. 1



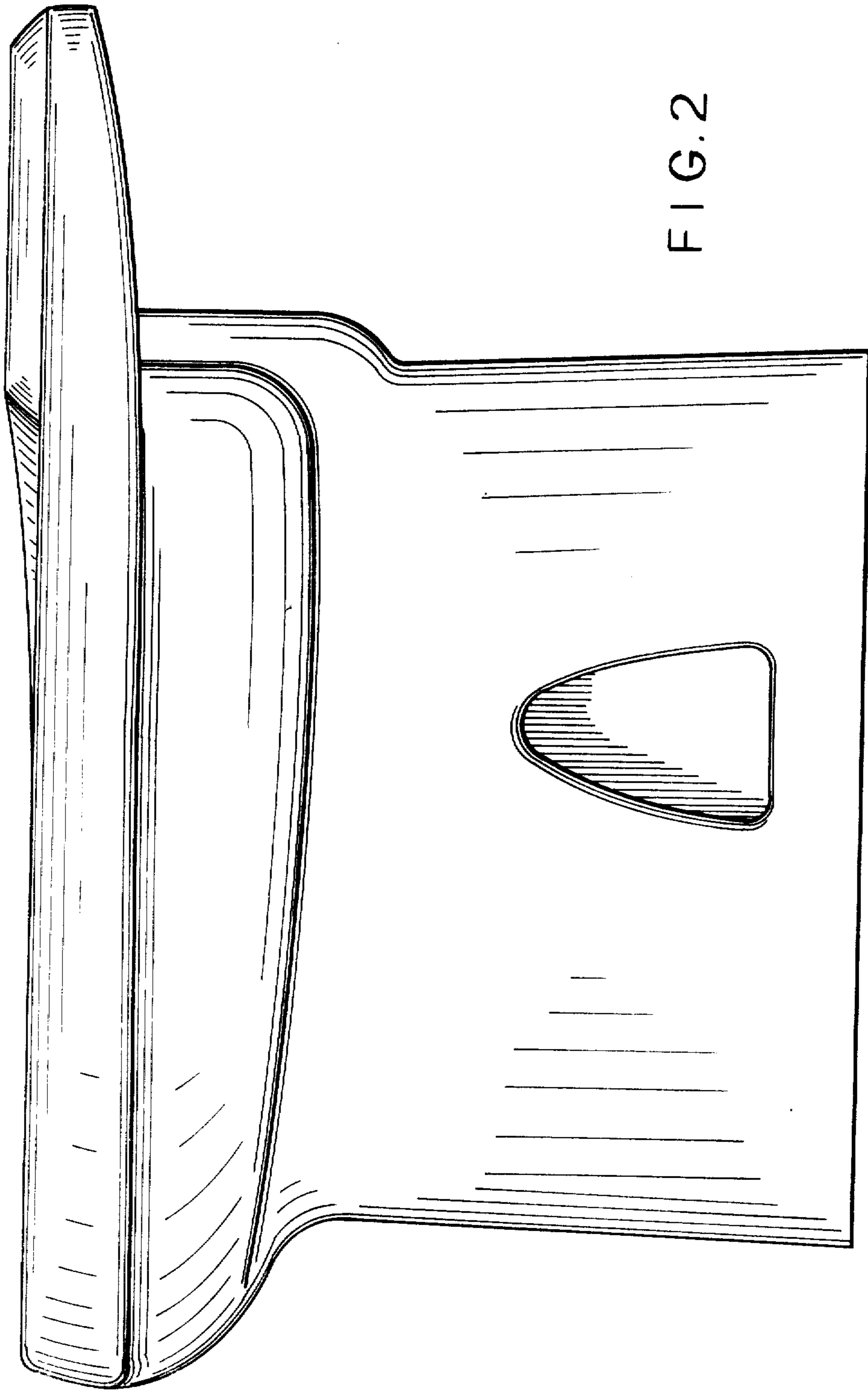


FIG. 2

FIG. 3

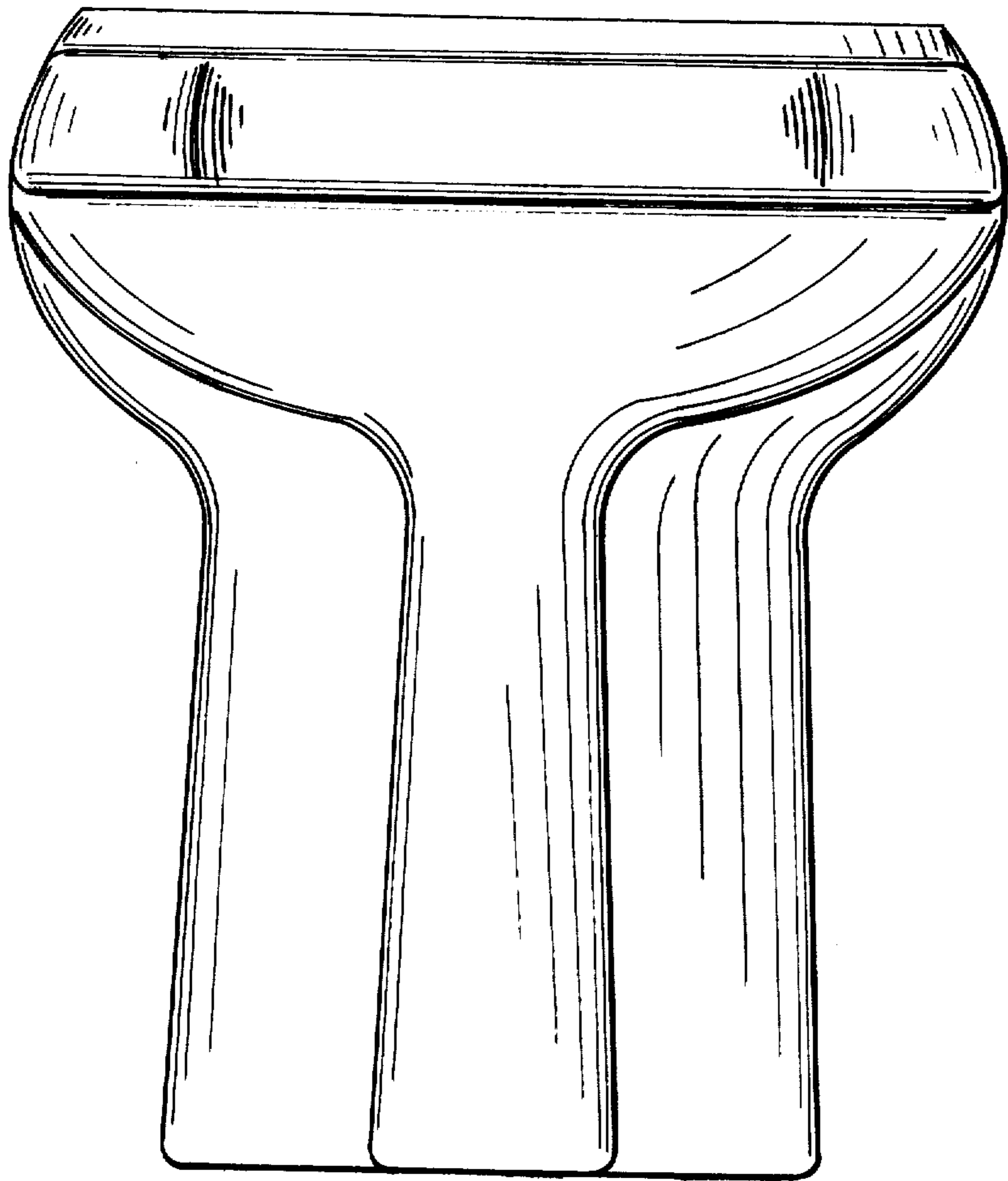


FIG. 4

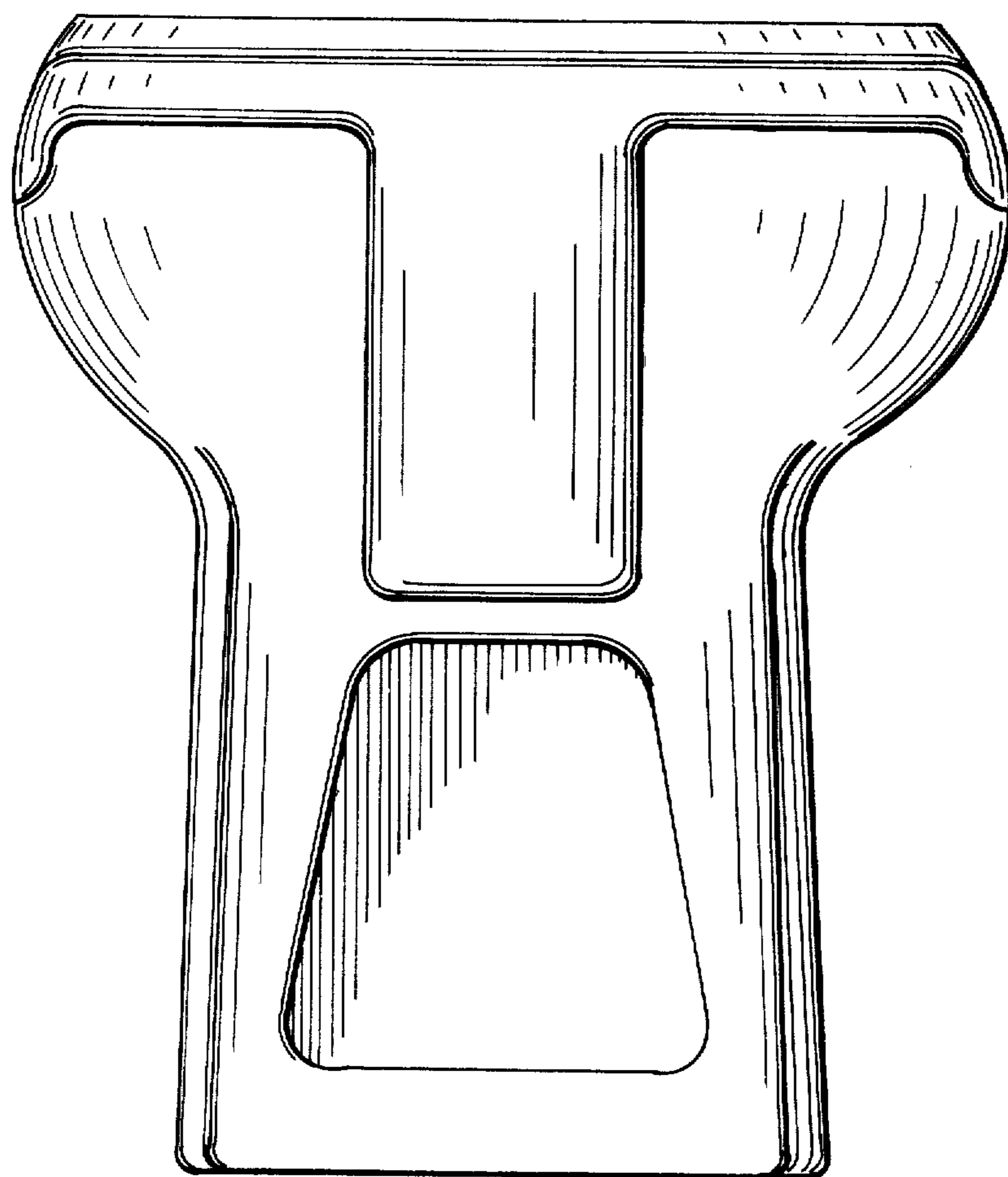


FIG. 5

