

# United States Patent [19]

Ferguson

[11] **Des. 261,793**

[45] **\*\* Nov. 10, 1981**

[54] **TENT**

[76] Inventor: **Robert W. Ferguson**, 1521 Granger,  
Ann Arbor, Mich. 48104

[\*\*] Term: **14 Years**

[21] Appl. No.: **91,264**

[22] Filed: **Nov. 5, 1979**

[51] Int. Cl. .... **D21-02**

[52] U.S. Cl. .... **D21/253**

[58] Field of Search ..... D21/253, 254; 135/1 R,  
135/3 R, 3 E, 4 R, 5 R; D12/106, 104

[56] **References Cited**

### U.S. PATENT DOCUMENTS

1,666,961 4/1928 Delvin ..... 135/3 R

3,058,480 10/1962 Blanchard ..... 135/3 E  
3,171,417 3/1965 Stokes ..... D21/253  
3,373,533 3/1968 Trelfa et al. .... D21/253

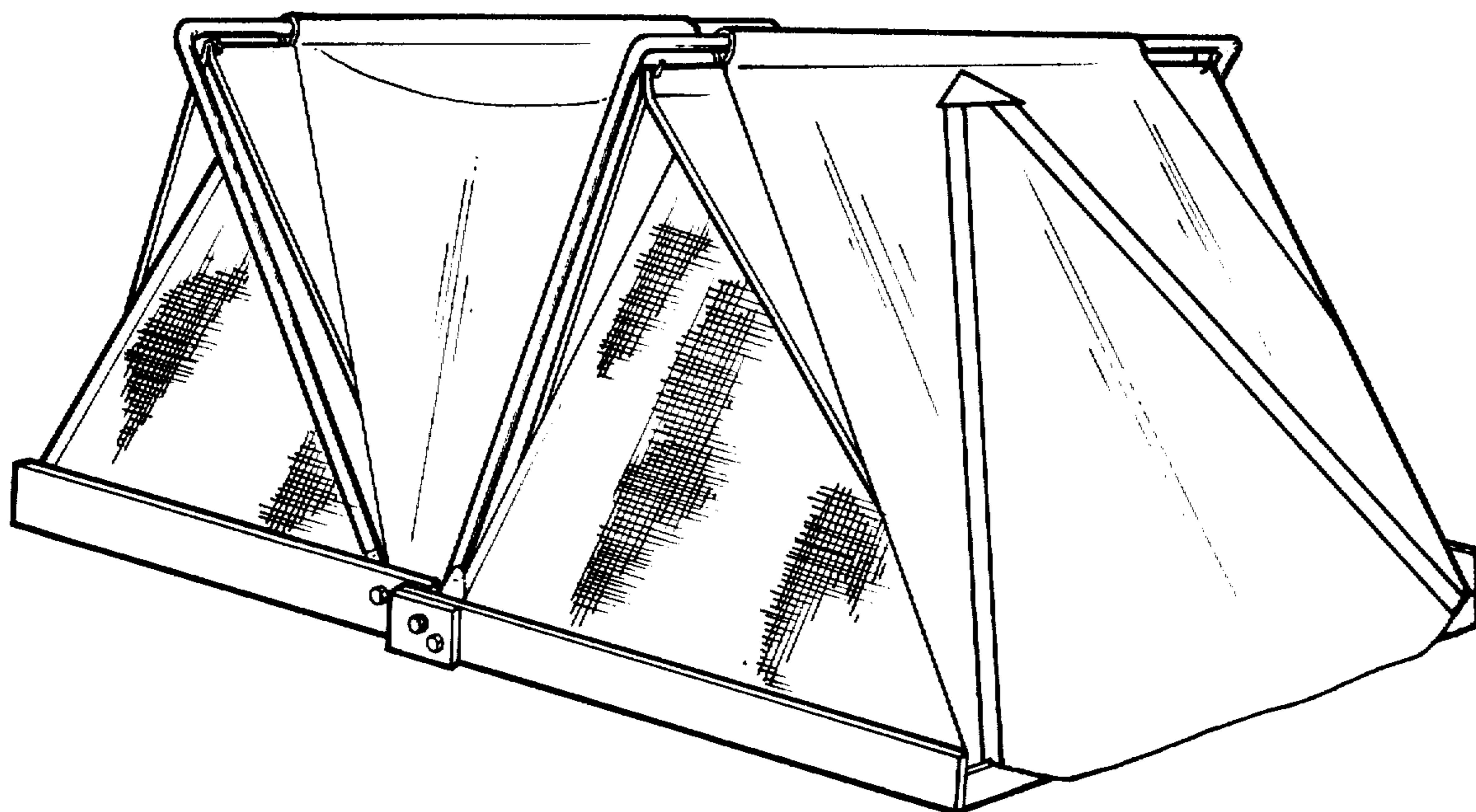
*Primary Examiner*—Charles A. Rademaker  
*Attorney, Agent, or Firm*—Olsen and Stephenson

### [57] CLAIM

The ornamental design for a tent, as shown and described.

### DESCRIPTION

FIG. 1 is a perspective view of a tent showing my new design;  
FIG. 2 is a front elevational view thereof, the side opposite being substantially a mirror image;  
FIG. 3 is a top plan view thereof; and  
FIG. 4 is an end elevational view thereof.



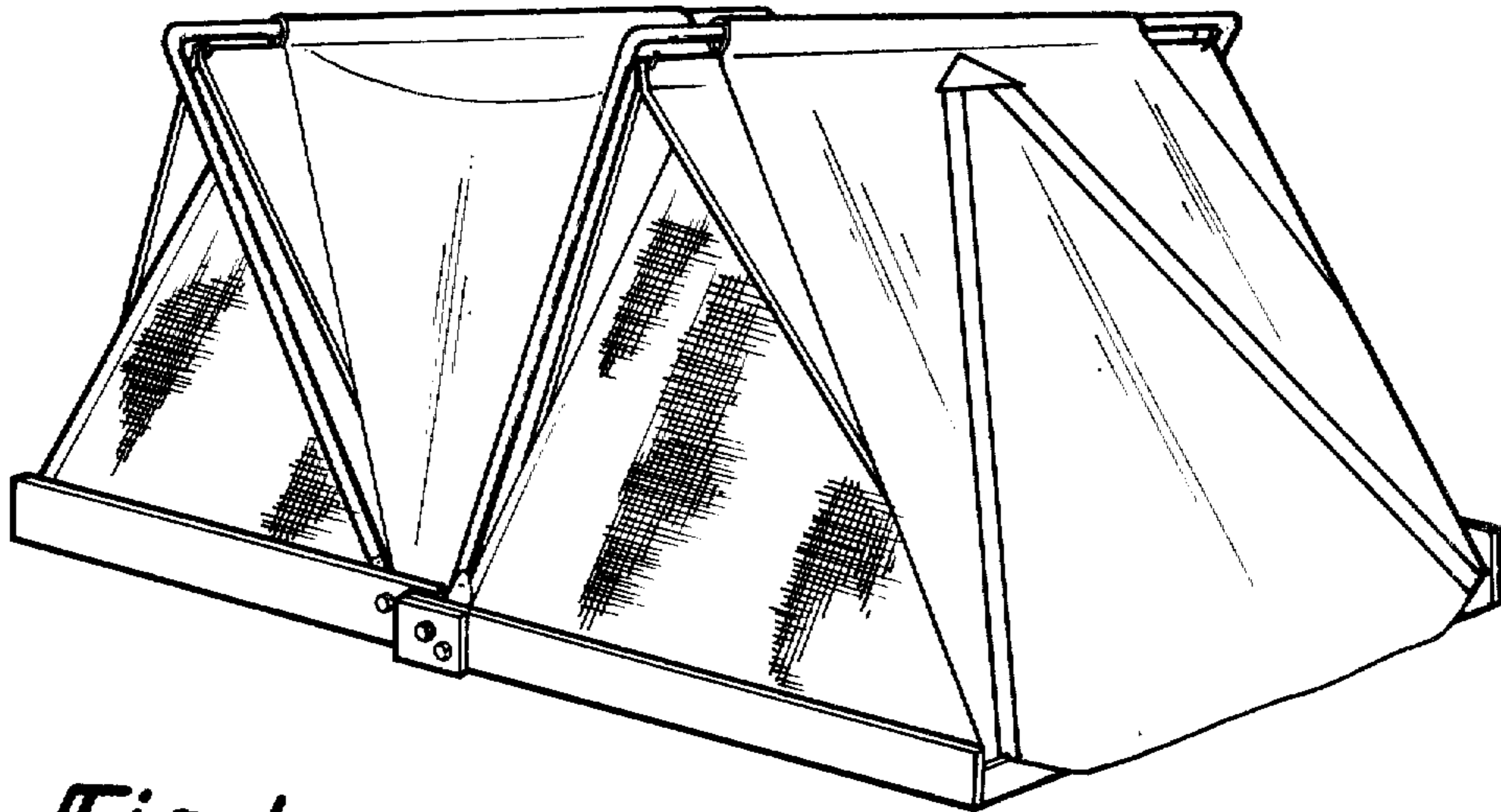


Fig-1

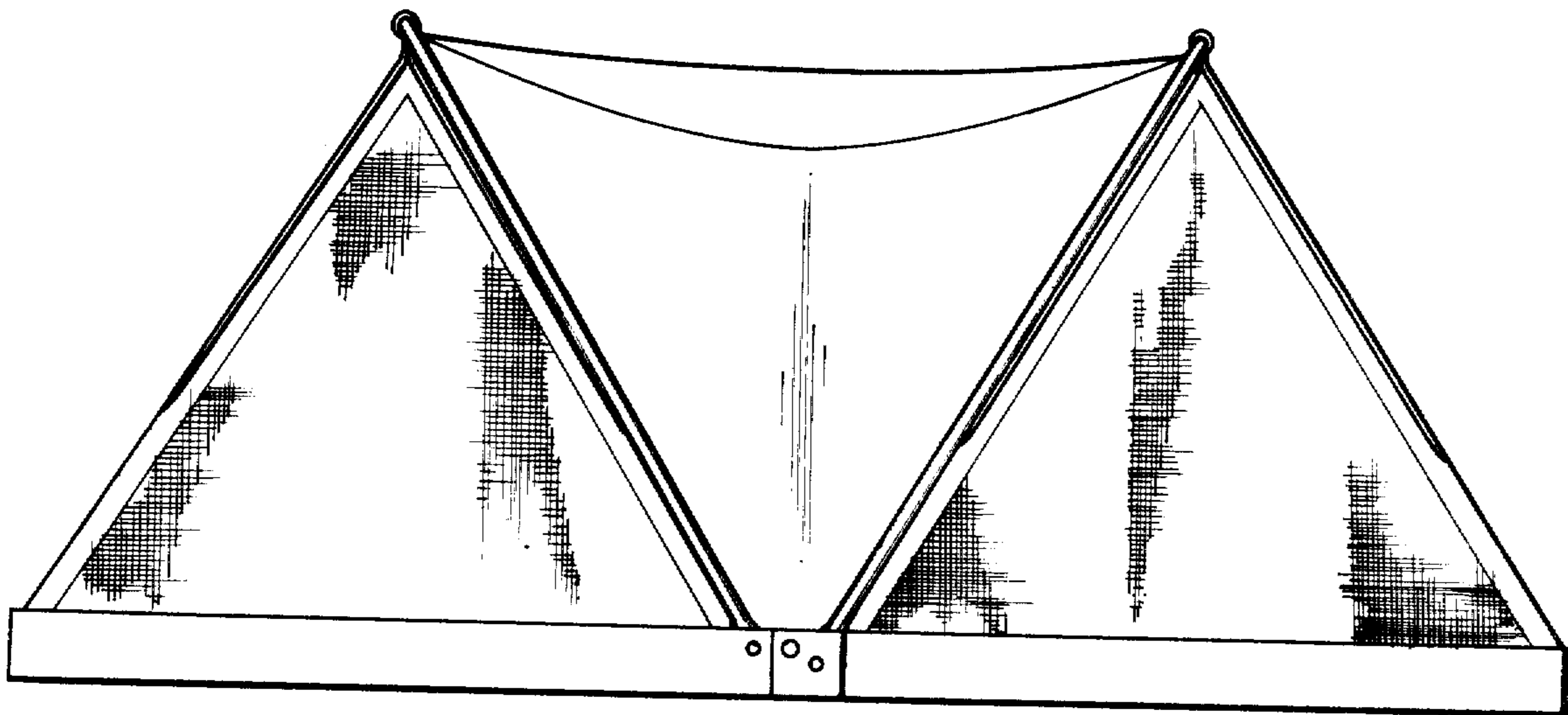


Fig-2

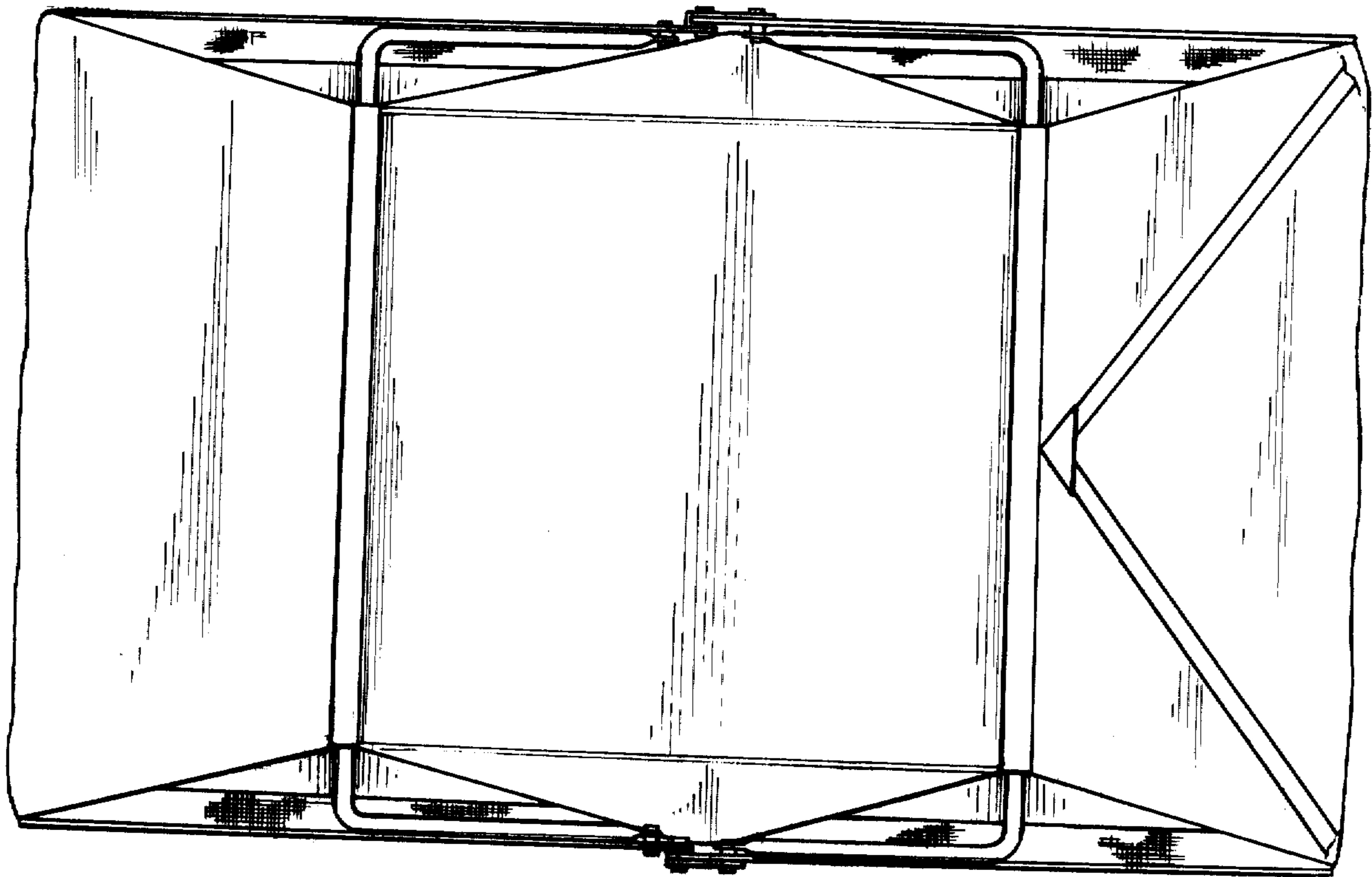


Fig-3

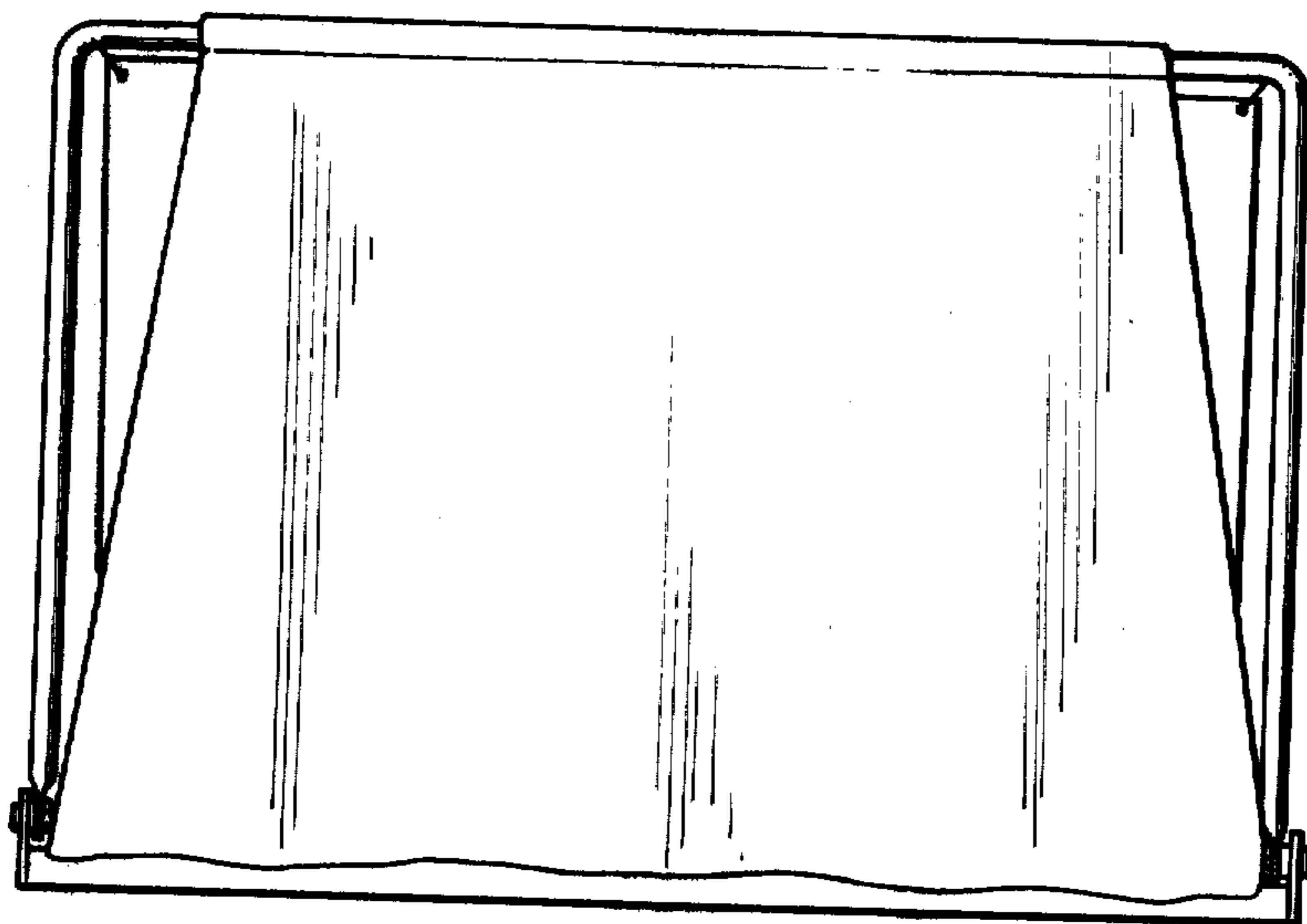


Fig-4