

[54] FOOTBALL KICKING TEE

[76] Inventor: George C. Allen, 9811 Presidential Dr., Allison Park, Pa. 15101

[\*\*] Term: 14 Years

[21] Appl. No.: 110,789

[22] Filed: Jan. 9, 1980

[51] Int. Cl. .... D21-02

[52] U.S. Cl. .... D21/209

[58] Field of Search ..... D21/209; 273/55 B

[56] References Cited

U.S. PATENT DOCUMENTS

D. 150,195 7/1948 Barton ..... D21/209

D. 195,088 4/1963 Box ..... D21/209

Primary Examiner—Melvin B. Feifer  
Attorney, Agent, or Firm—Robert D. Yeager

[57] CLAIM

The ornamental design for a football kicking tee, as shown and described.

DESCRIPTION

FIG. 1 is a top isometric view of a football kicking tee showing my new design;

FIG. 2 is a bottom isometric view of the kicking tee shown in FIG. 1;

FIG. 3 is a side elevational view of the kicking tee shown in FIG. 1;

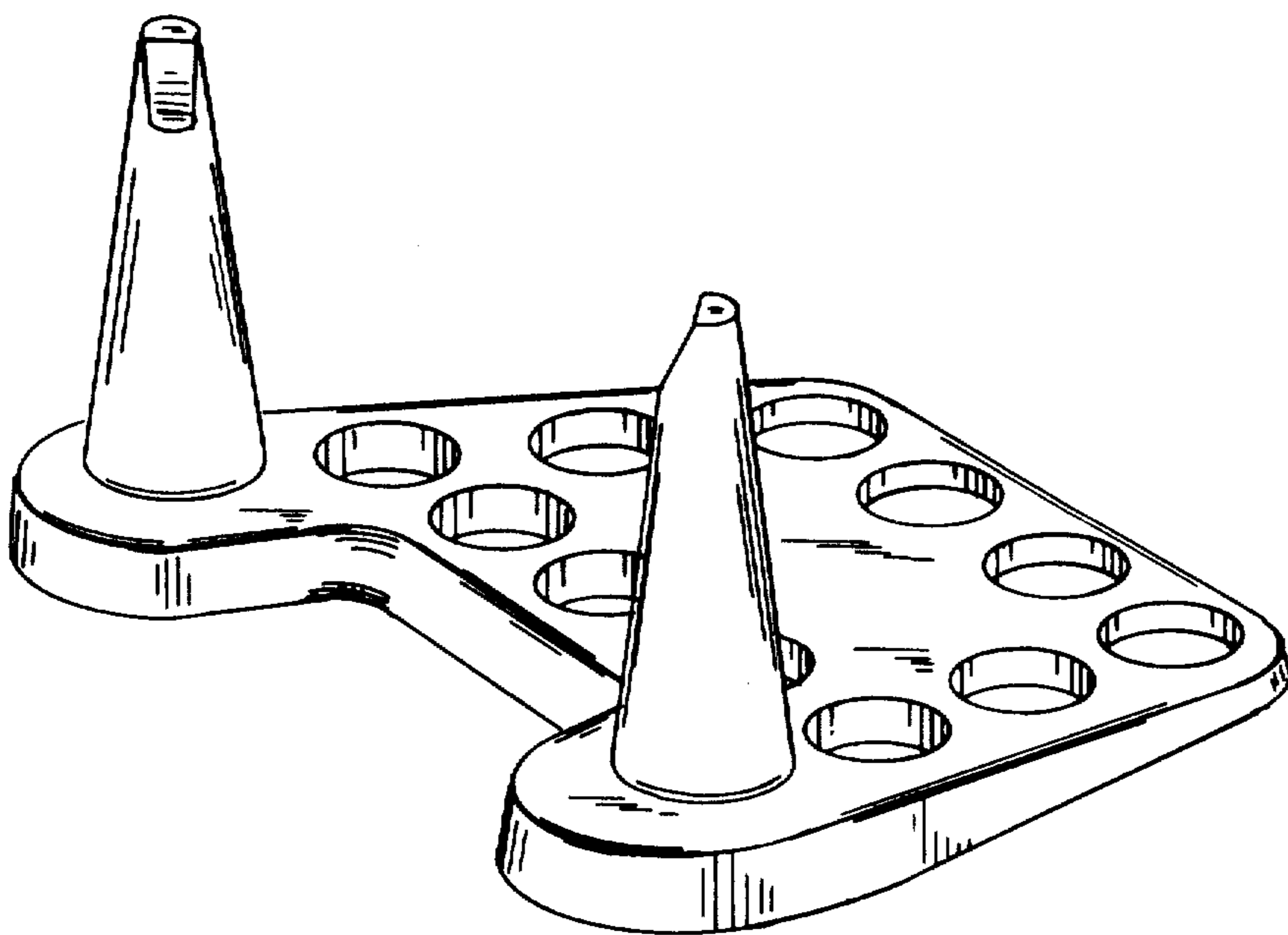
FIG. 4 is a front elevational view of the kicking tee shown in FIG. 1;

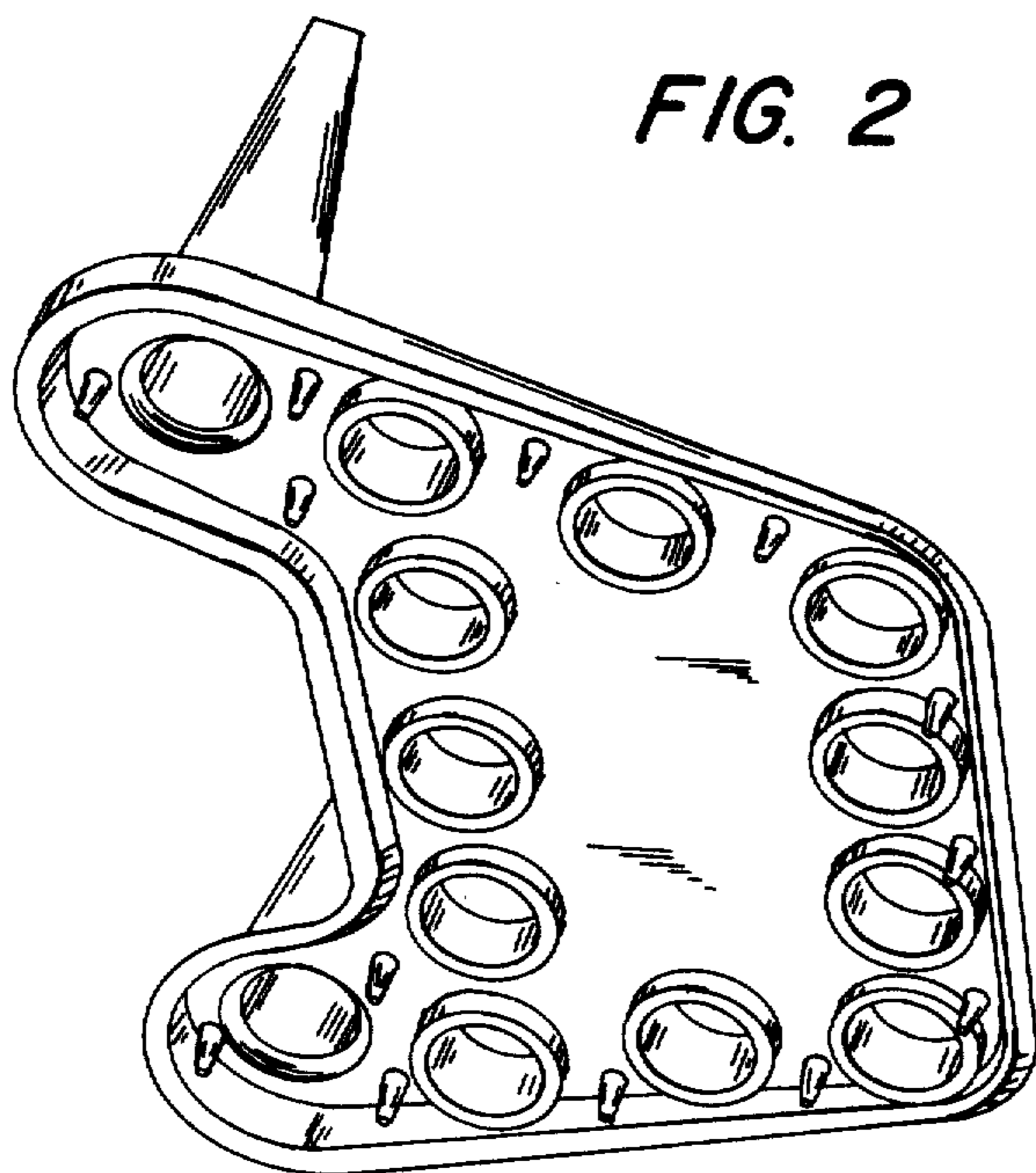
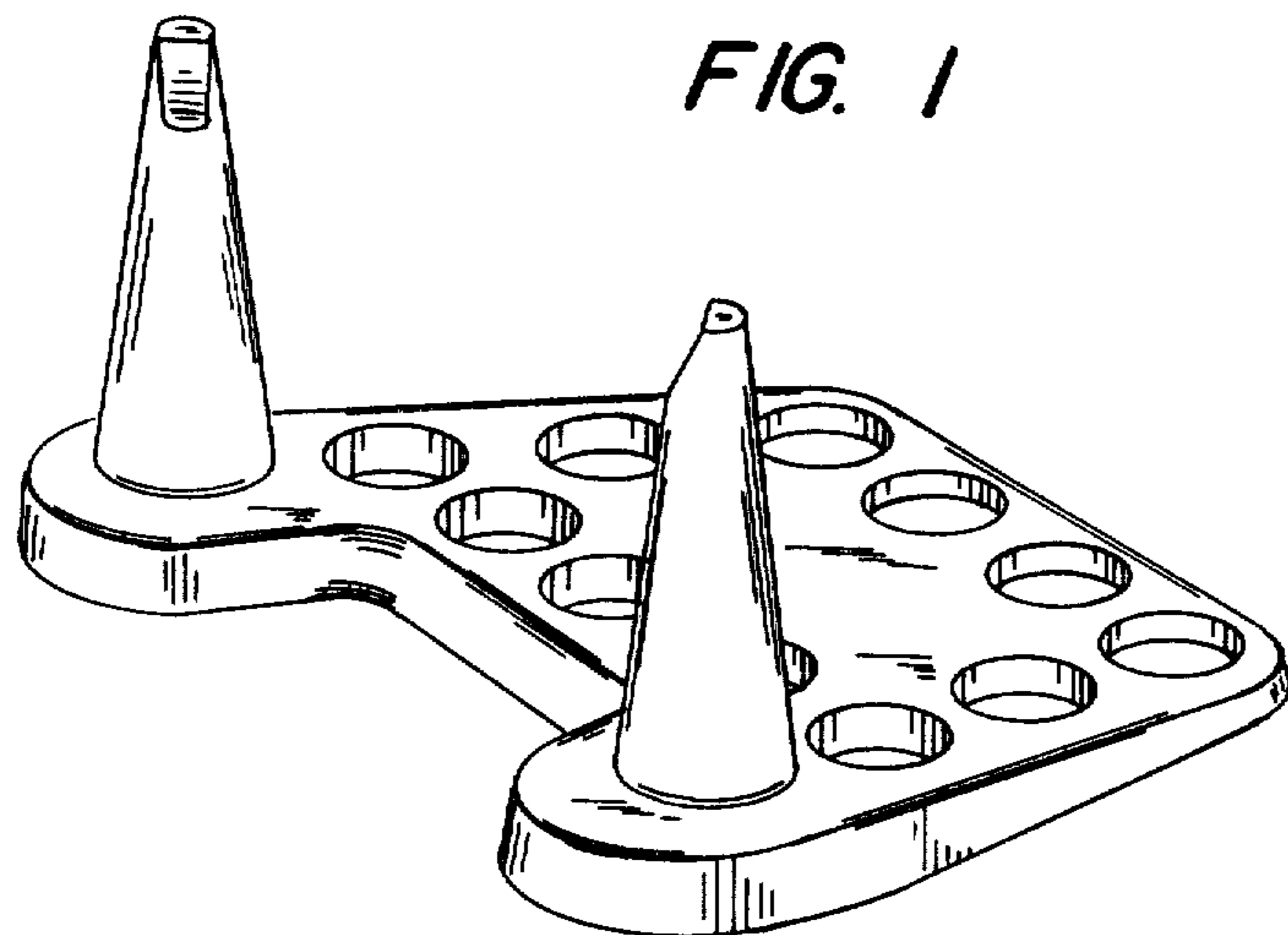
FIG. 5 is a top plan view of the kicking tee shown in FIG. 1;

FIG. 6 is a bottom plan view of the kicking tee shown in FIG. 1; and,

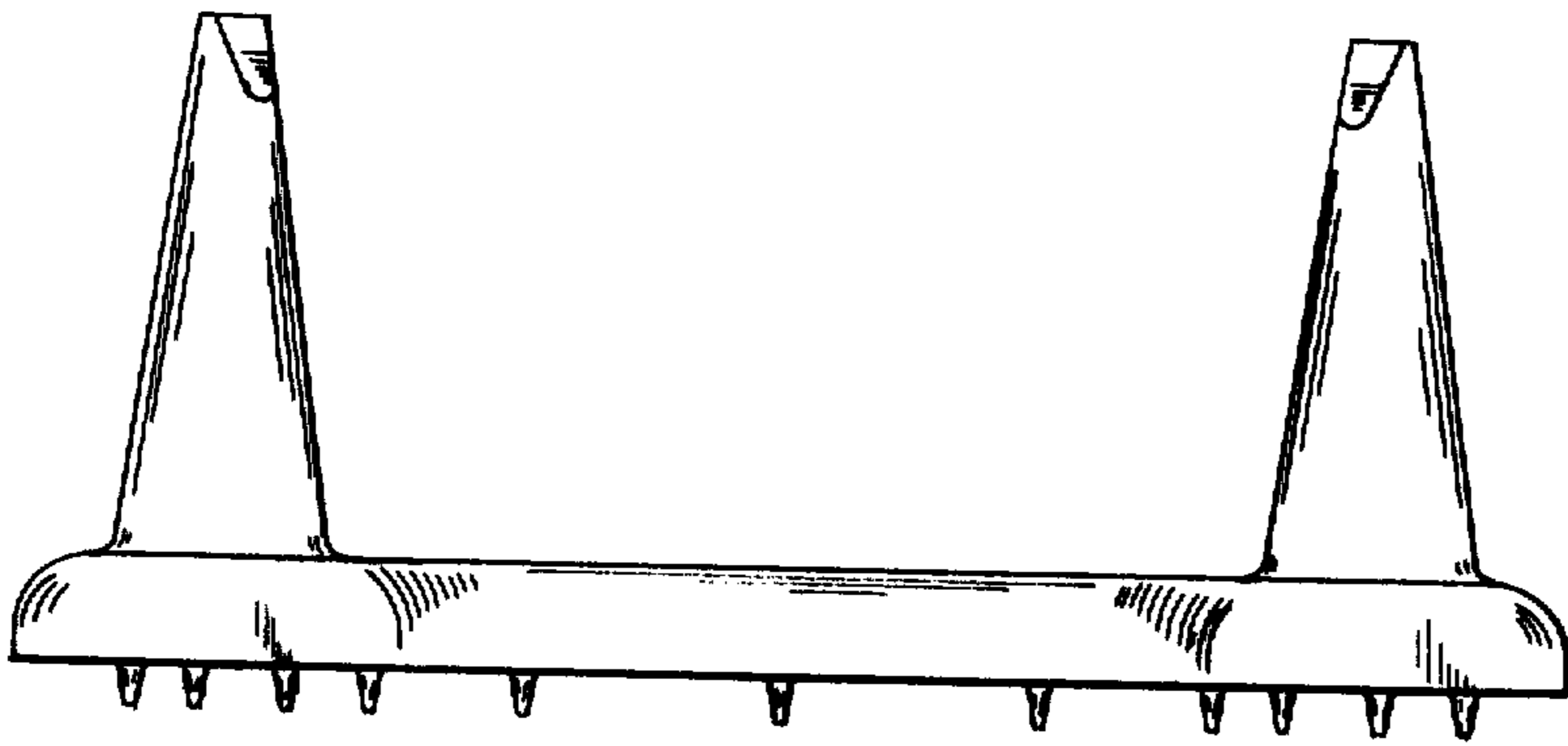
FIG. 7 is a rear elevational view of the kicking tee shown in FIG. 1.

Only one side elevational view has been included herein because each side elevational view is the mirror image of the other.

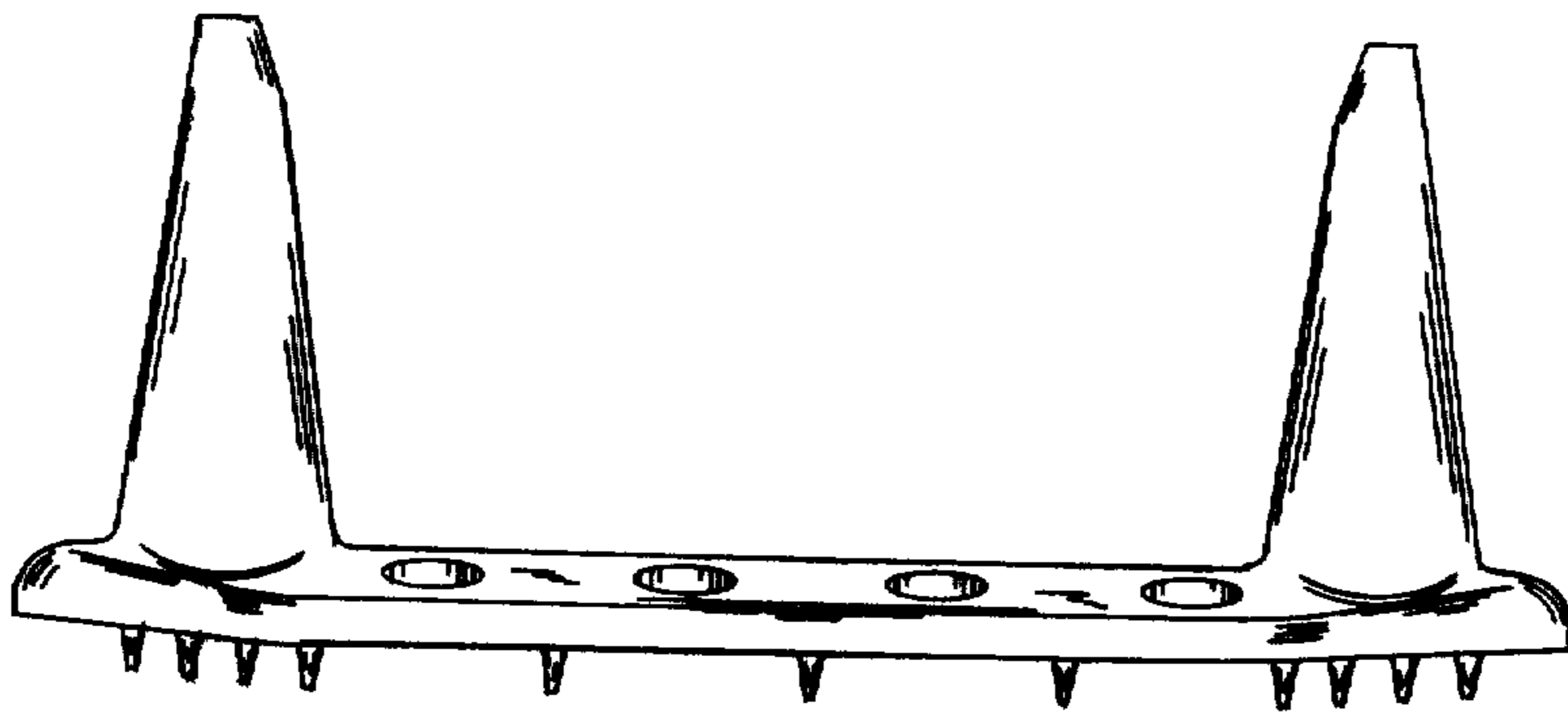




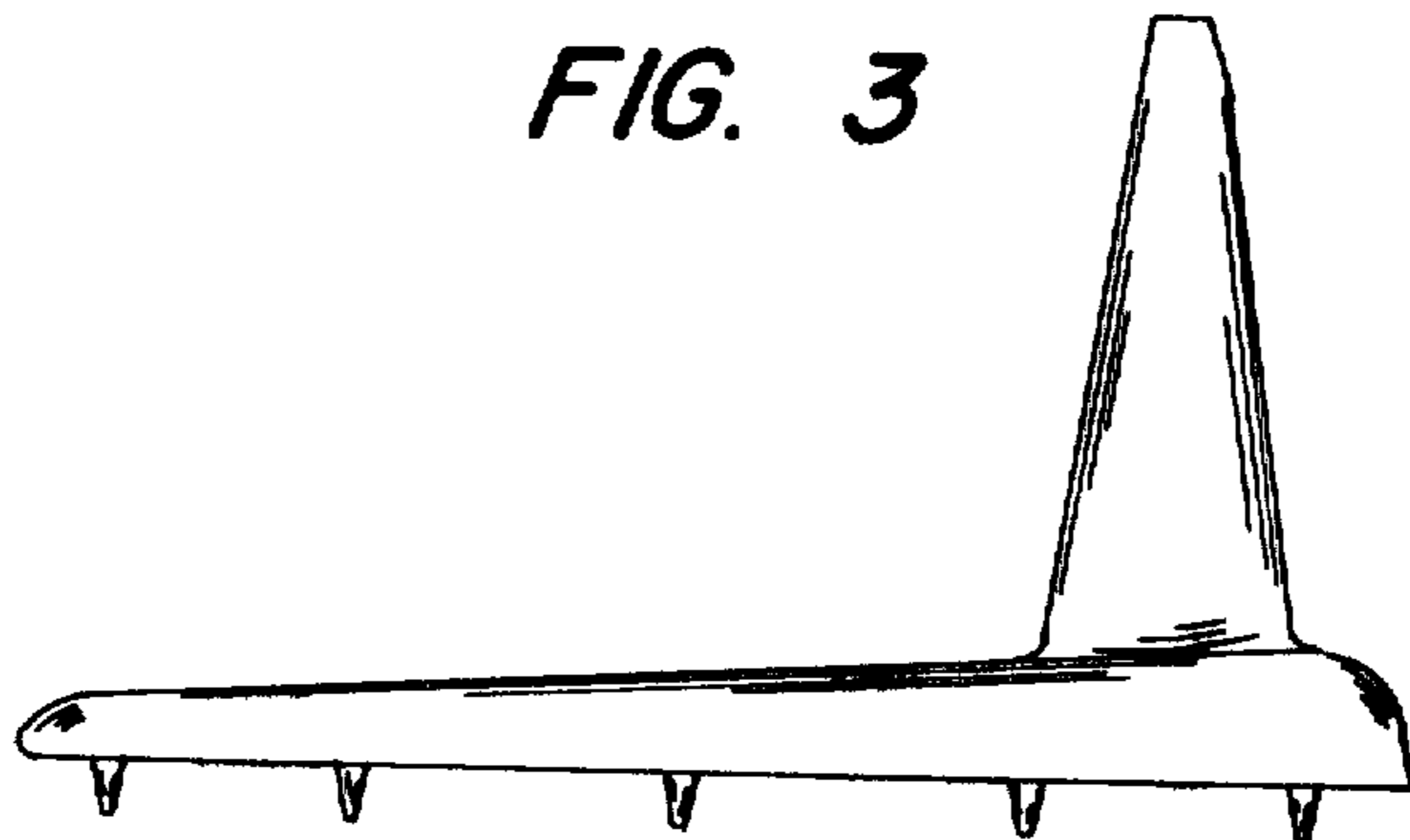
*FIG. 4*



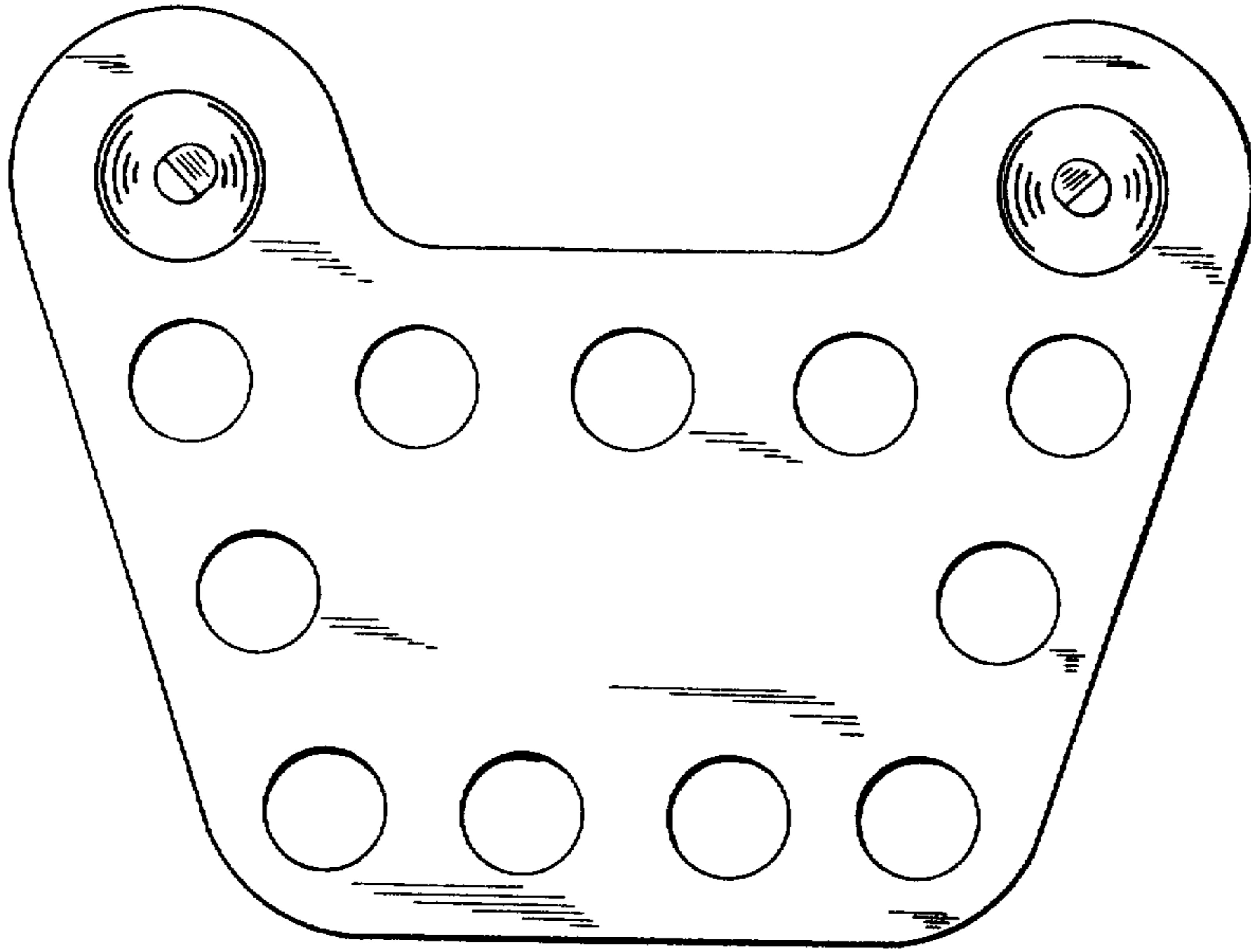
*FIG. 7*



*FIG. 3*



*FIG. 5*



*FIG. 6*

