

[54] RIDING TOY

[75] Inventor: Robert C. Fisher, East Aurora, N.Y.

[73] Assignee: The Quaker Oats Company, Chicago, Ill.

[**] Term: 14 Years

[21] Appl. No.: 111,222

[22] Filed: Jan. 11, 1980

[51] Int. Cl. D21-01
[52] U.S. Cl. D21/78
[58] Field of Search D21/76, 78, 81, 128,
D21/132, 134, 136, 137, 140; 46/201, 204, 206,
210, 221, 222, 223, 214; 280/87.01, 87.01 R;
D12/83, 107

[56] References Cited

U.S. PATENT DOCUMENTS

D. 91,354 1/1934 Gruenberg D21/135
D. 146,061 12/1946 Patner D21/80
D. 221,568 8/1971 Krause D21/80

OTHER PUBLICATIONS

Sears 1979 Wish Book, p. 639, Item #10, Toy Vehicle.

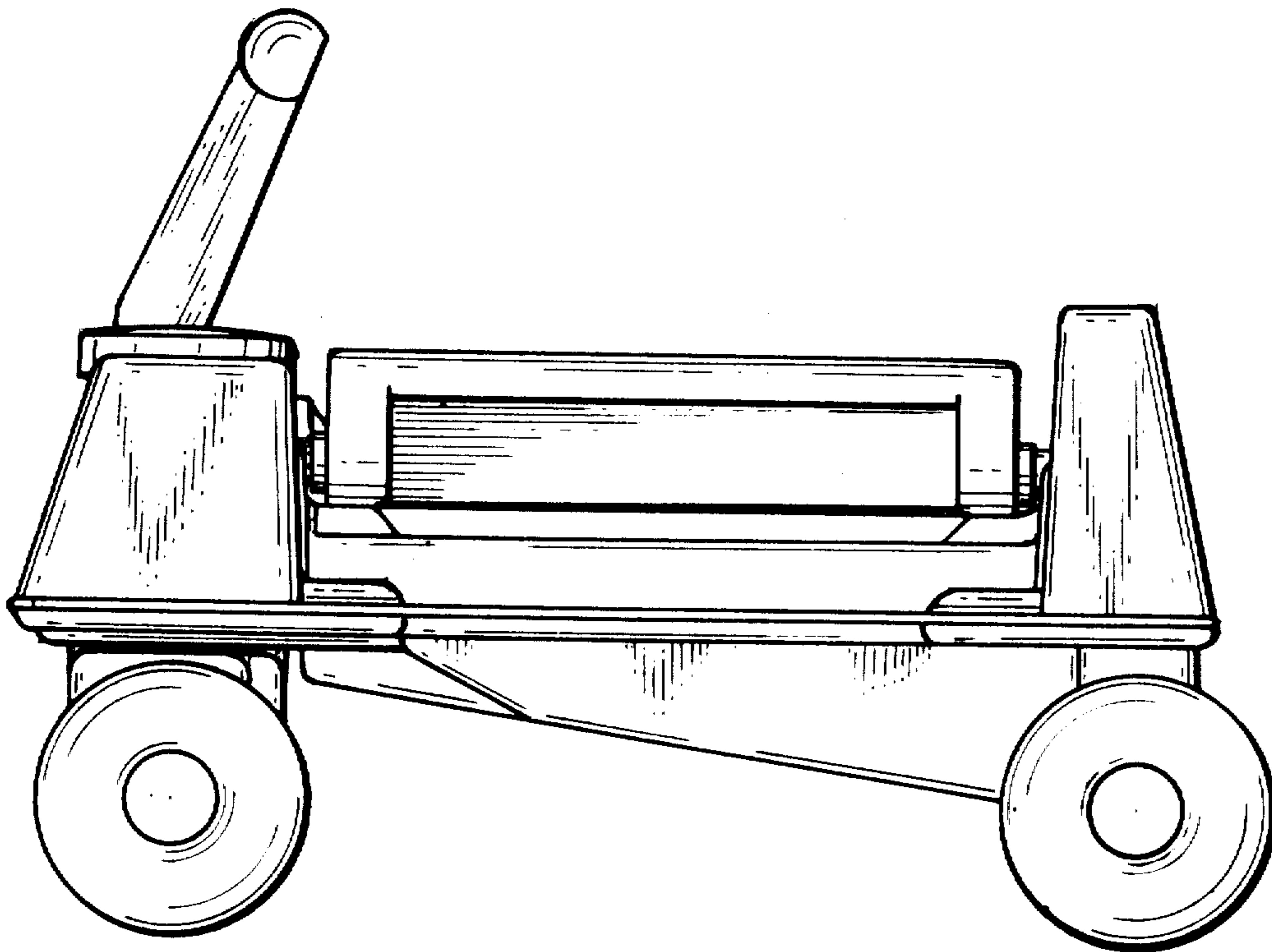
Primary Examiner—Charles A. Rademaker
Attorney, Agent, or Firm—Cumpston & Shaw

[57] CLAIM

The ornamental design for a riding toy, substantially as shown and described.

DESCRIPTION

FIG. 1 is a right-side elevational view of a riding toy showing my new design, the left side being substantially a mirror image;
FIG. 2 is a front elevational view thereof;
FIG. 3 is a rear elevational view thereof;
FIG. 4 is a top plan view thereof; and
FIG. 5 is a bottom plan view thereof.



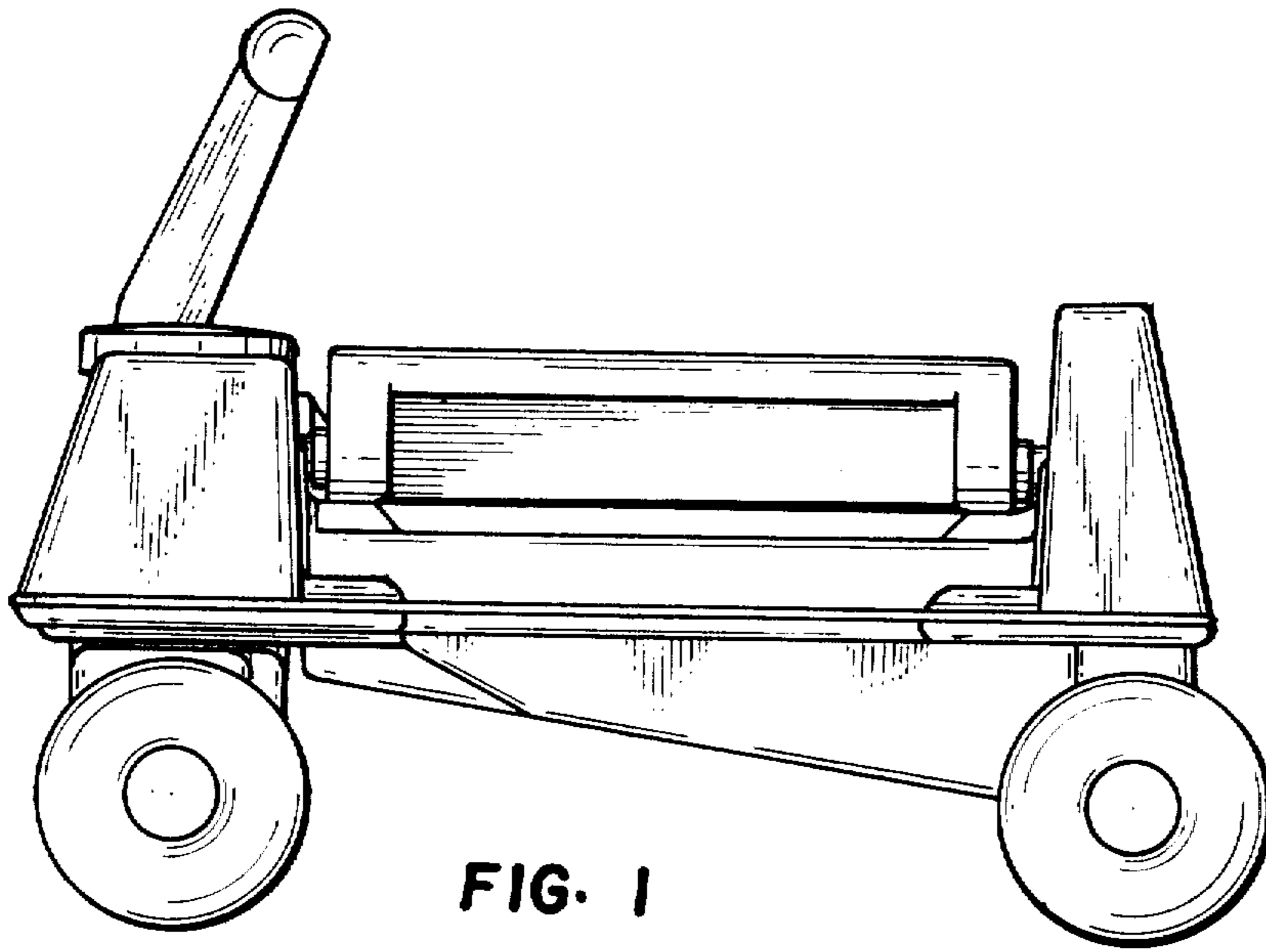


FIG. 1

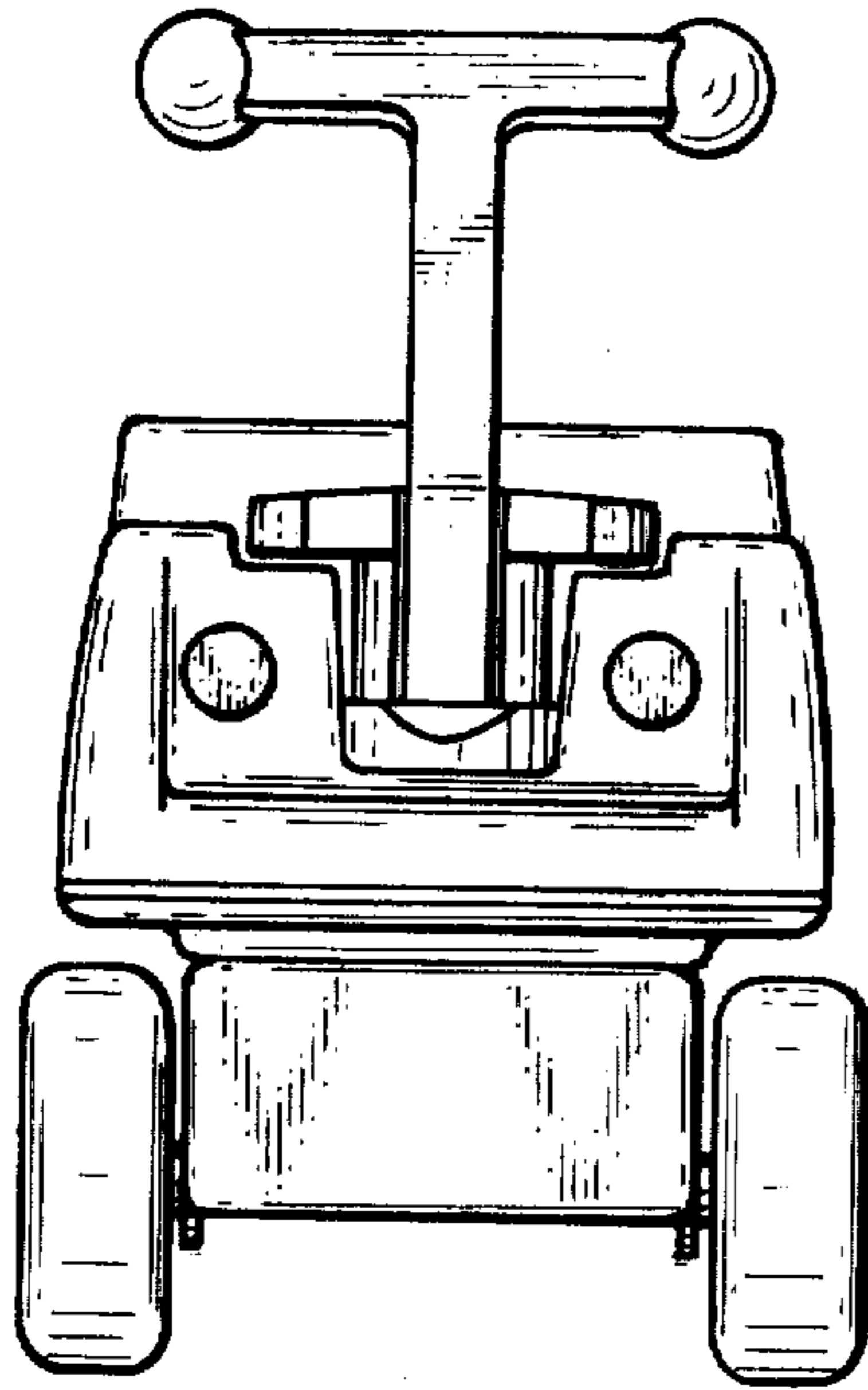


FIG. 2

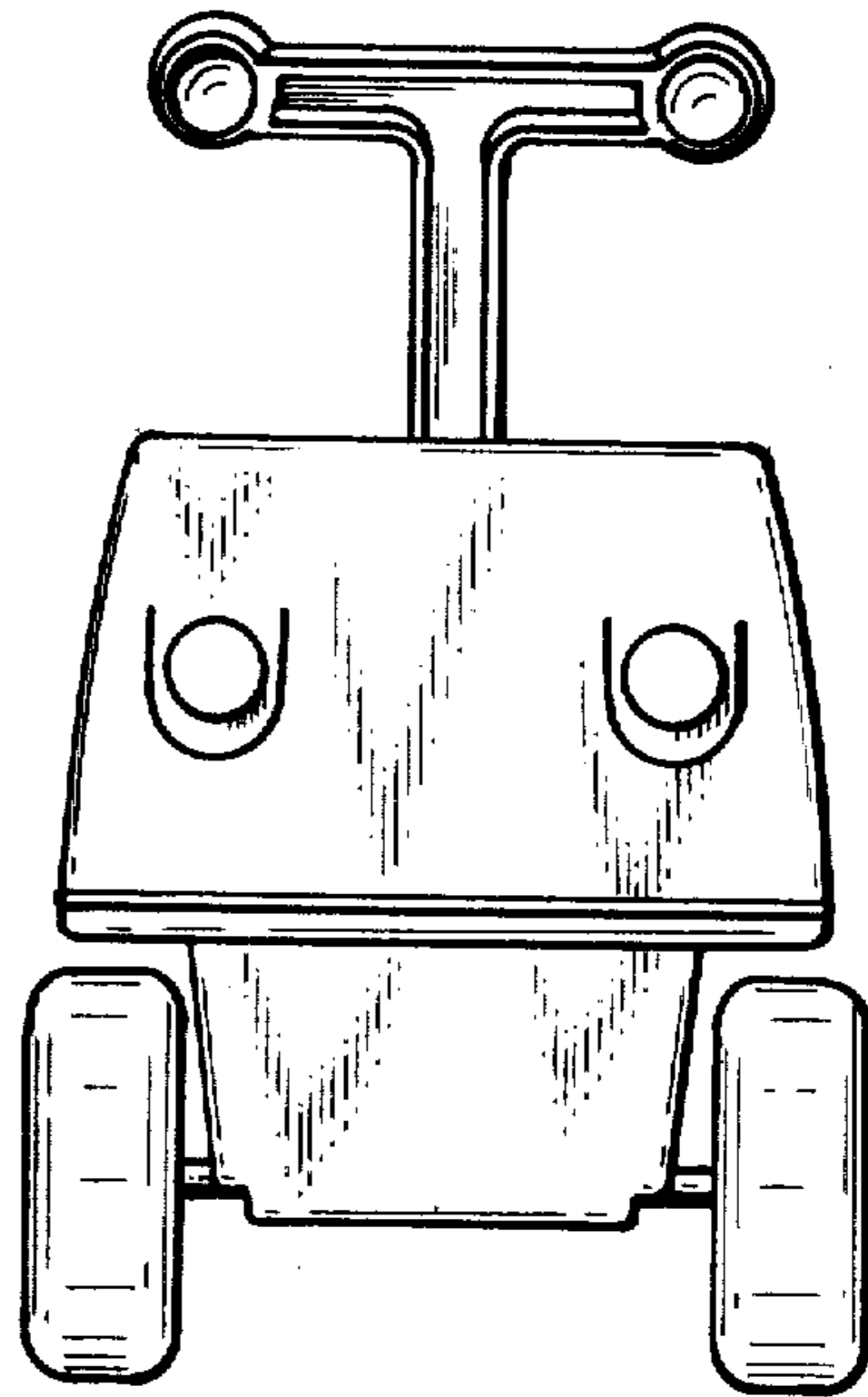


FIG. 3

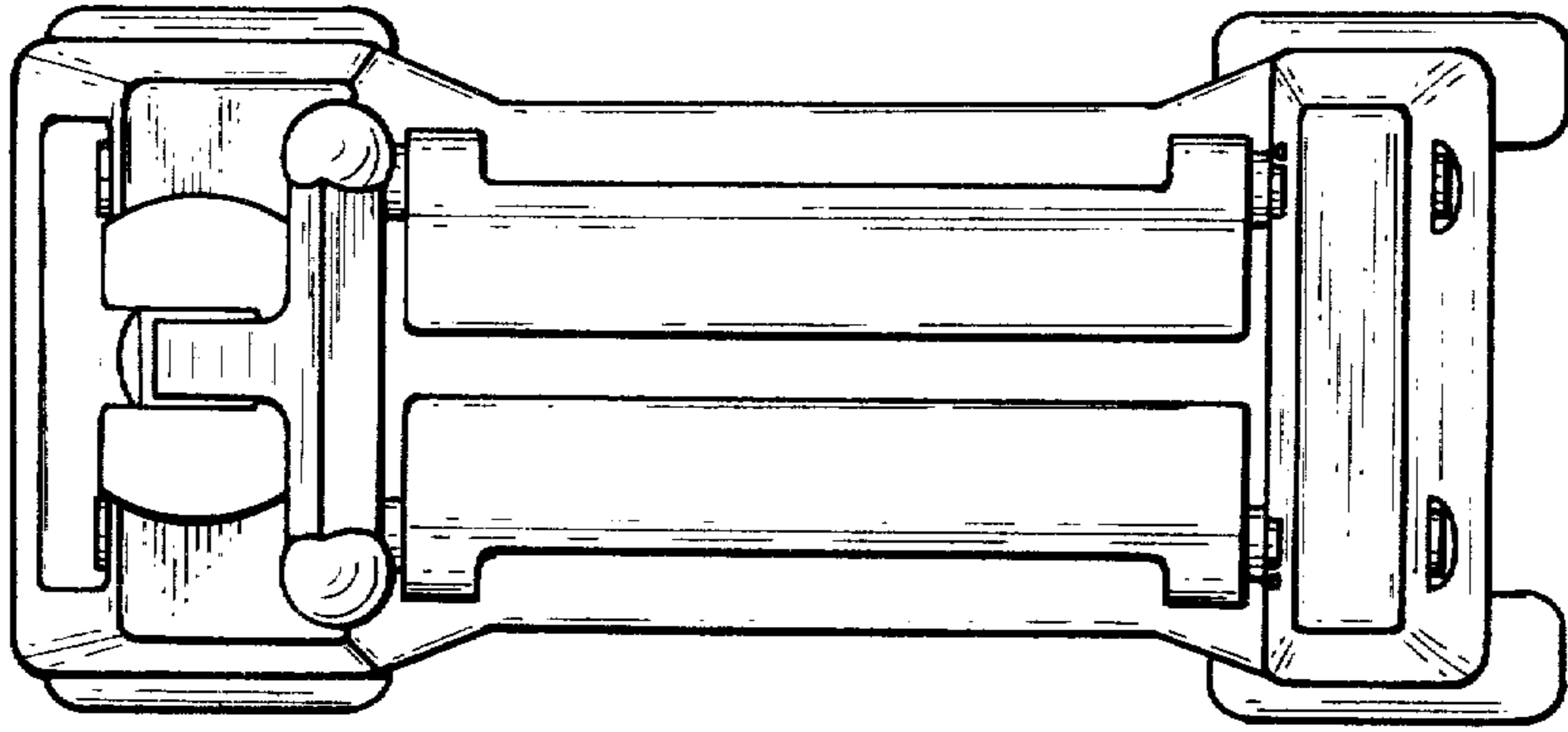


FIG. 4

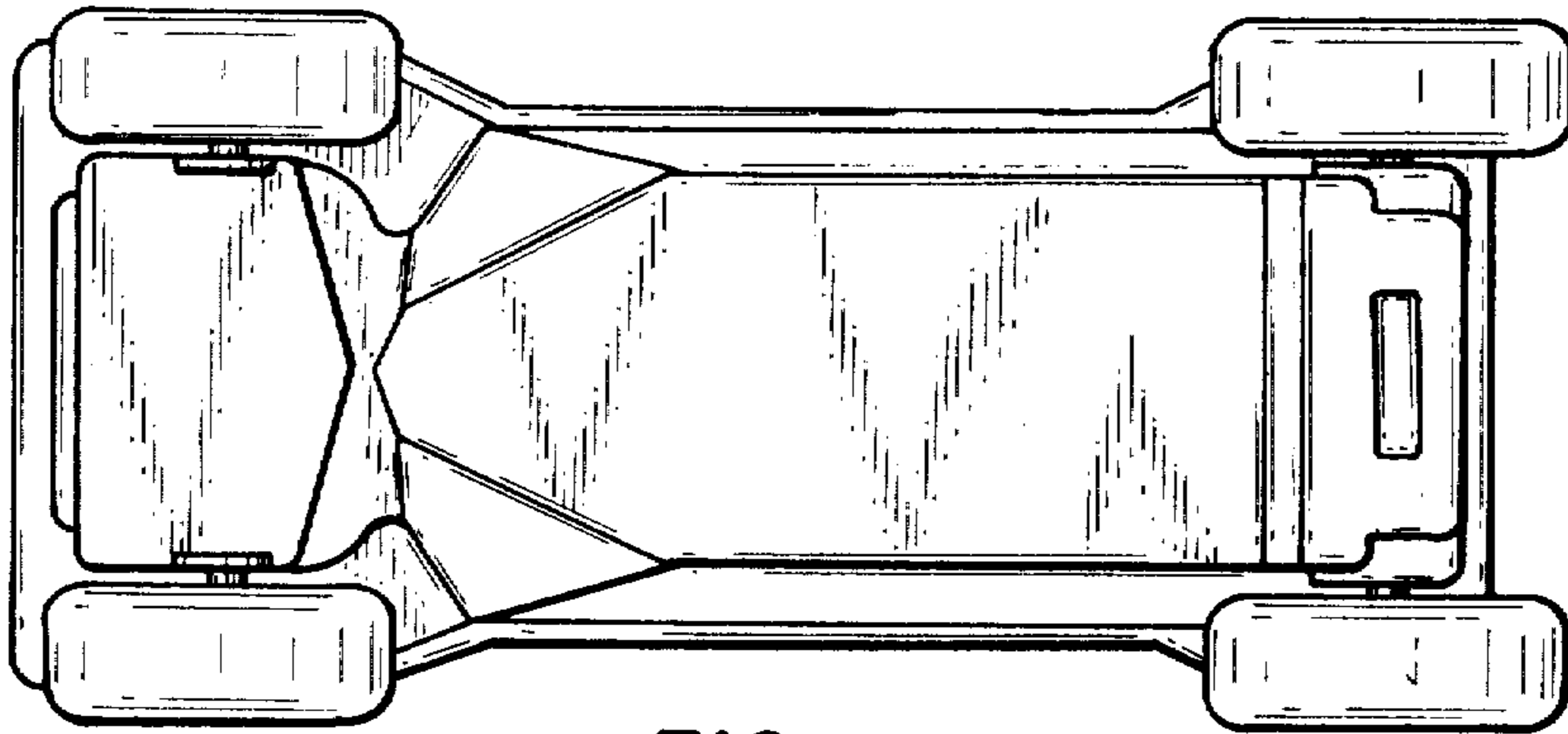


FIG. 5