

[54] MUSICAL TOY

[75] Inventors: **Shinroku Nakao**, Yokohama;
Yoshiyasu Ishii; **Susumu Matsumoto**,
both of Tokyo, all of Japan

[73] Assignee: **Combi Co., Ltd.**, Tokyo, Japan

[**] Term: **14 Years**

[21] Appl. No.: **44,139**

[22] Filed: **May 31, 1979**

[30] Foreign Application Priority Data

Dec. 8, 1978 [JP] Japan 53-52085

[51] Int. Cl. **D21-01**

[52] U.S. Cl. **D21/63; D11/141**

[58] Field of Search **D21/62, 63, 64, 149,**
D21/156, 160, 164, 162; D11/141, 142; 40/455,
456; 46/32, 175, 174, 178, 179, 180

[56]

References Cited

U.S. PATENT DOCUMENTS

D. 237,287	10/1975	Crawford	D11/141
D. 237,288	10/1975	Crawford	D11/141
3,699,704	10/1972	Hakim	D21/63
3,919,795	11/1975	Jiniuisian	D11/141

Primary Examiner—Charles A. Rademaker
Attorney, Agent, or Firm—Sughrue, Mion, Zinn,
Macpeak and Seas

[57]

CLAIM

The ornamental design for a musical toy, as shown.

DESCRIPTION

FIG. 1 is a perspective view of a musical toy showing our new design;
FIG. 2 is a front elevational view thereof;
FIG. 3 is a rear elevational view thereof;
FIG. 4 is a right side elevational view thereof;
FIG. 5 is a left side elevational view thereof;
FIG. 6 is a top plan view thereof; and
FIG. 7 is a bottom plan view thereof.

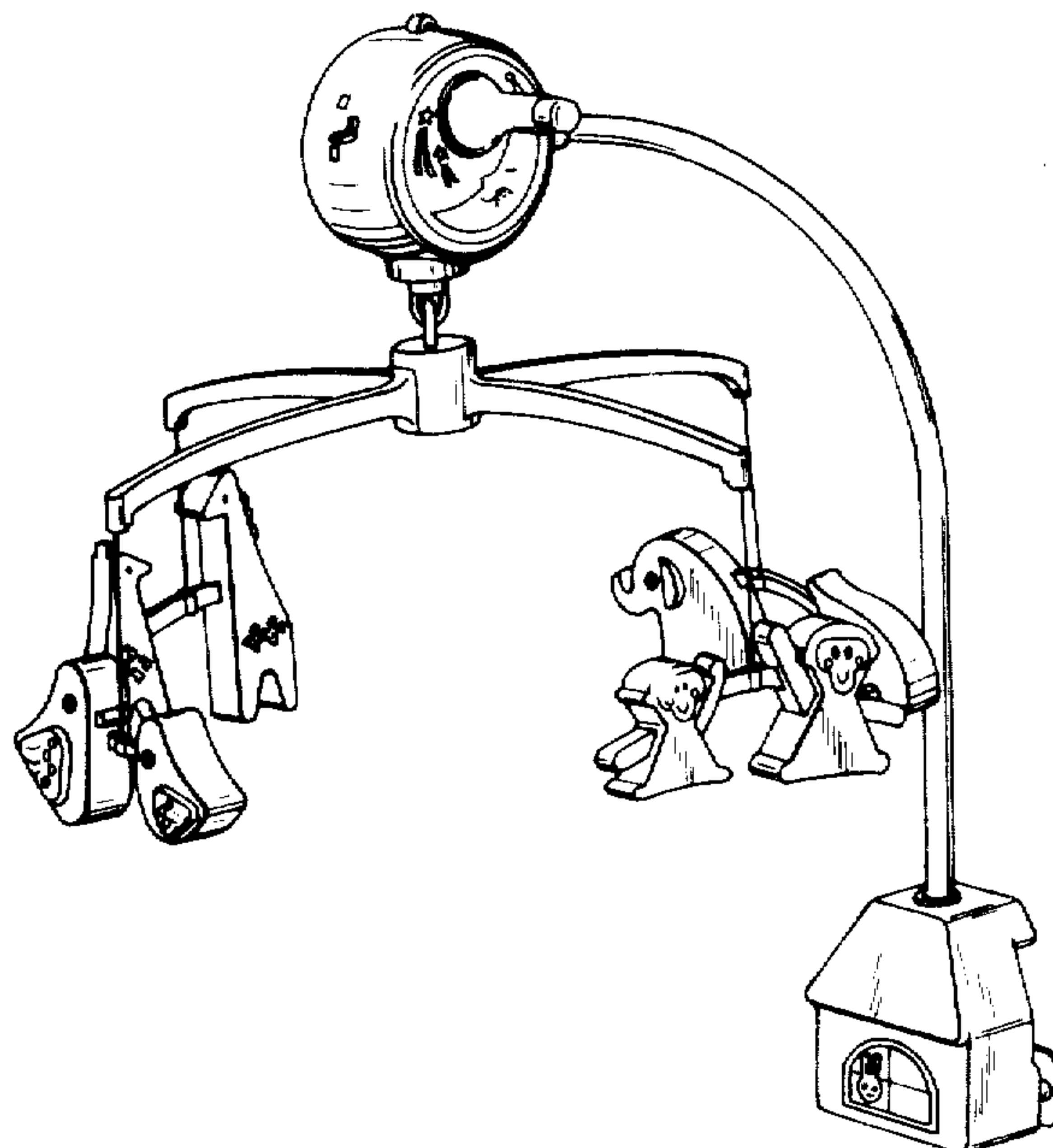


FIG. 1

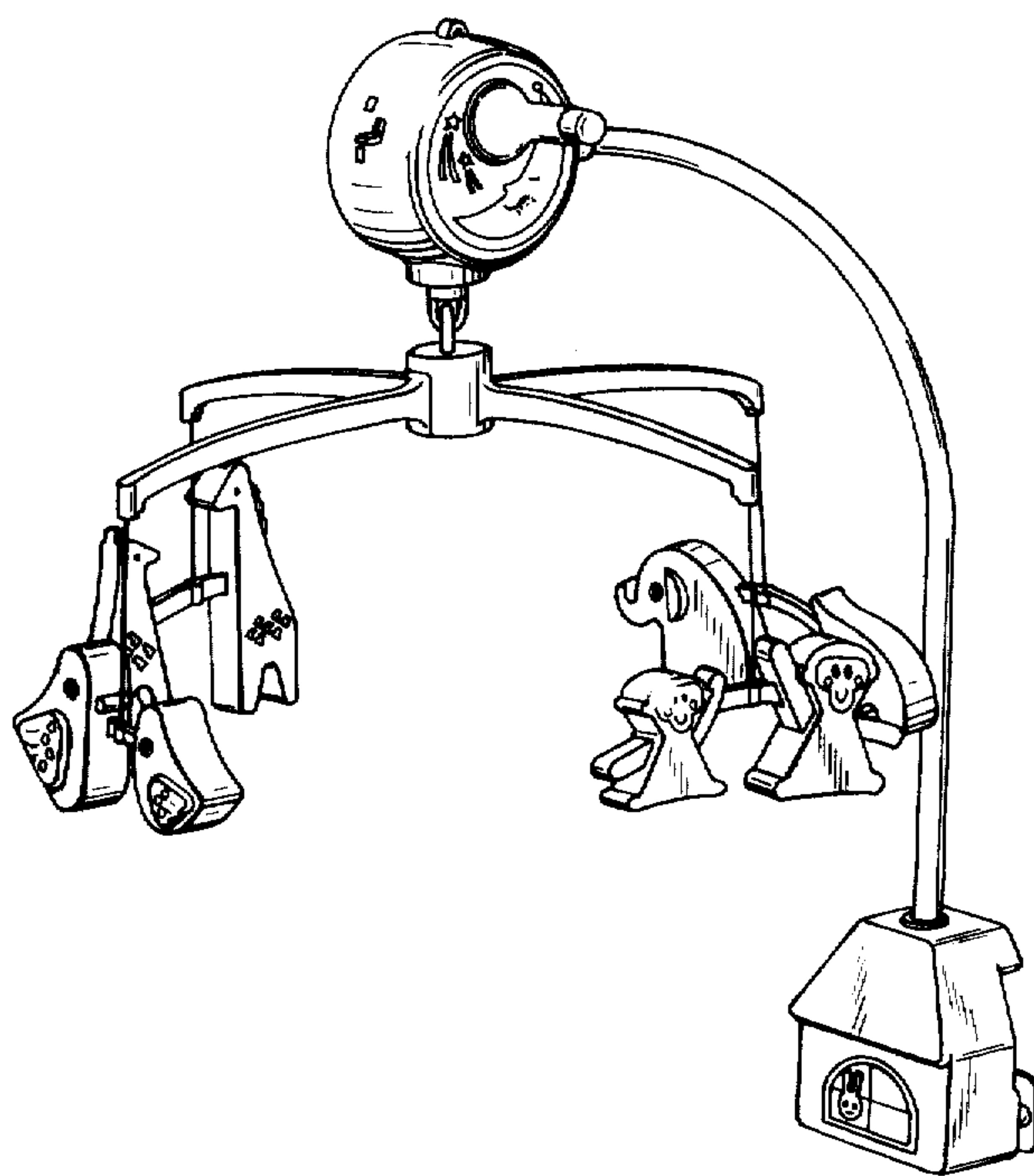


FIG. 2

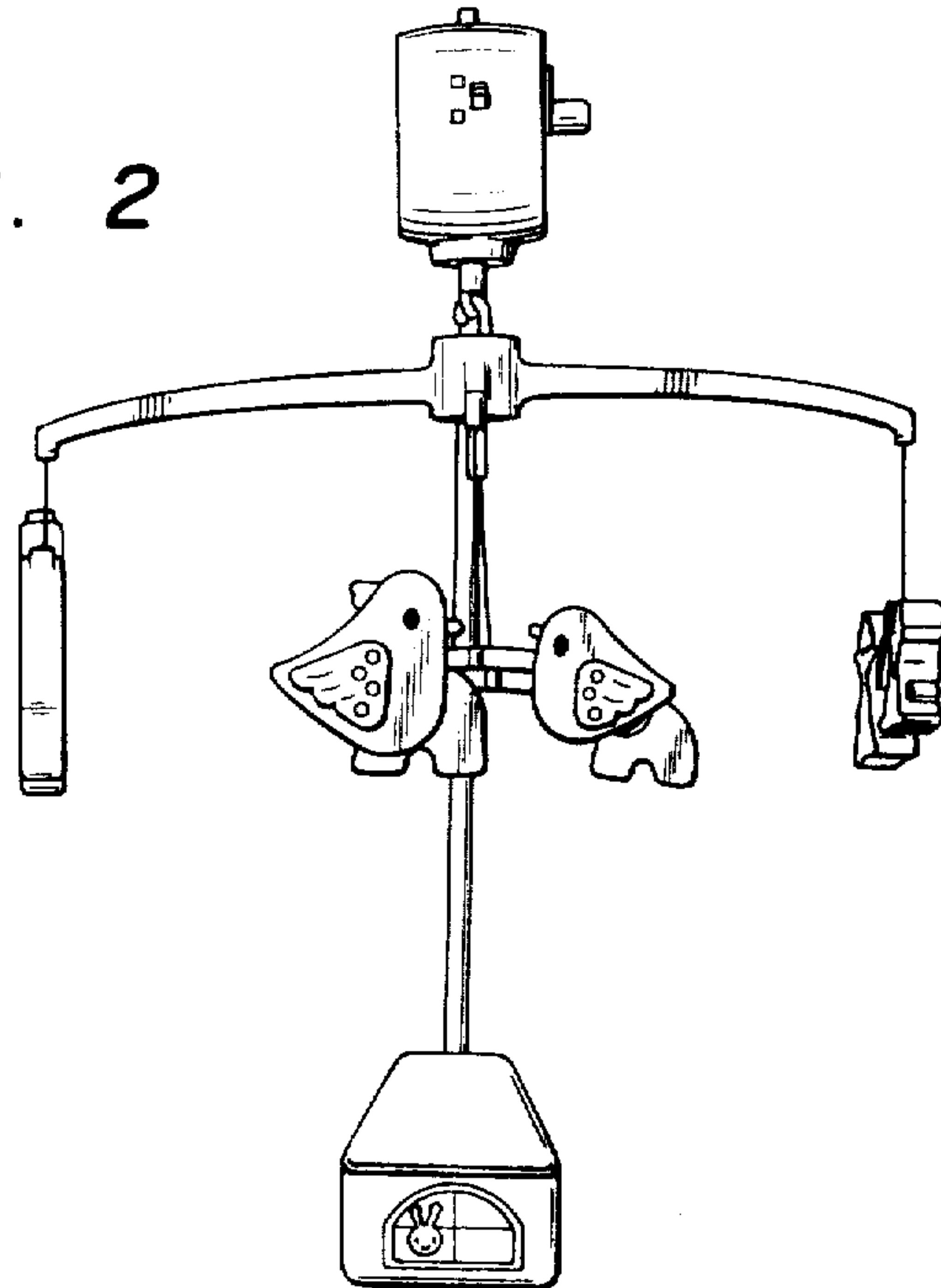


FIG. 3

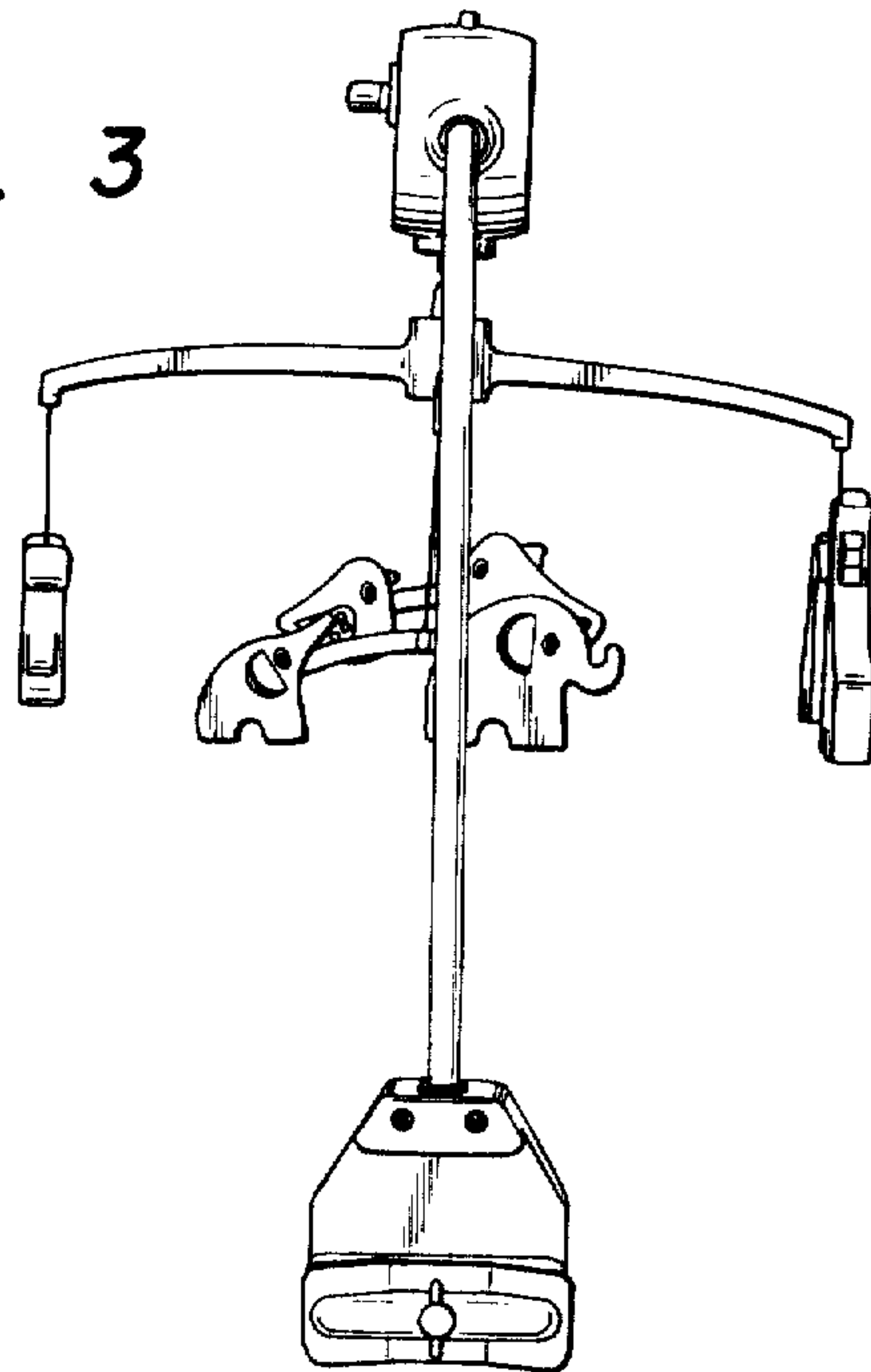


FIG. 4

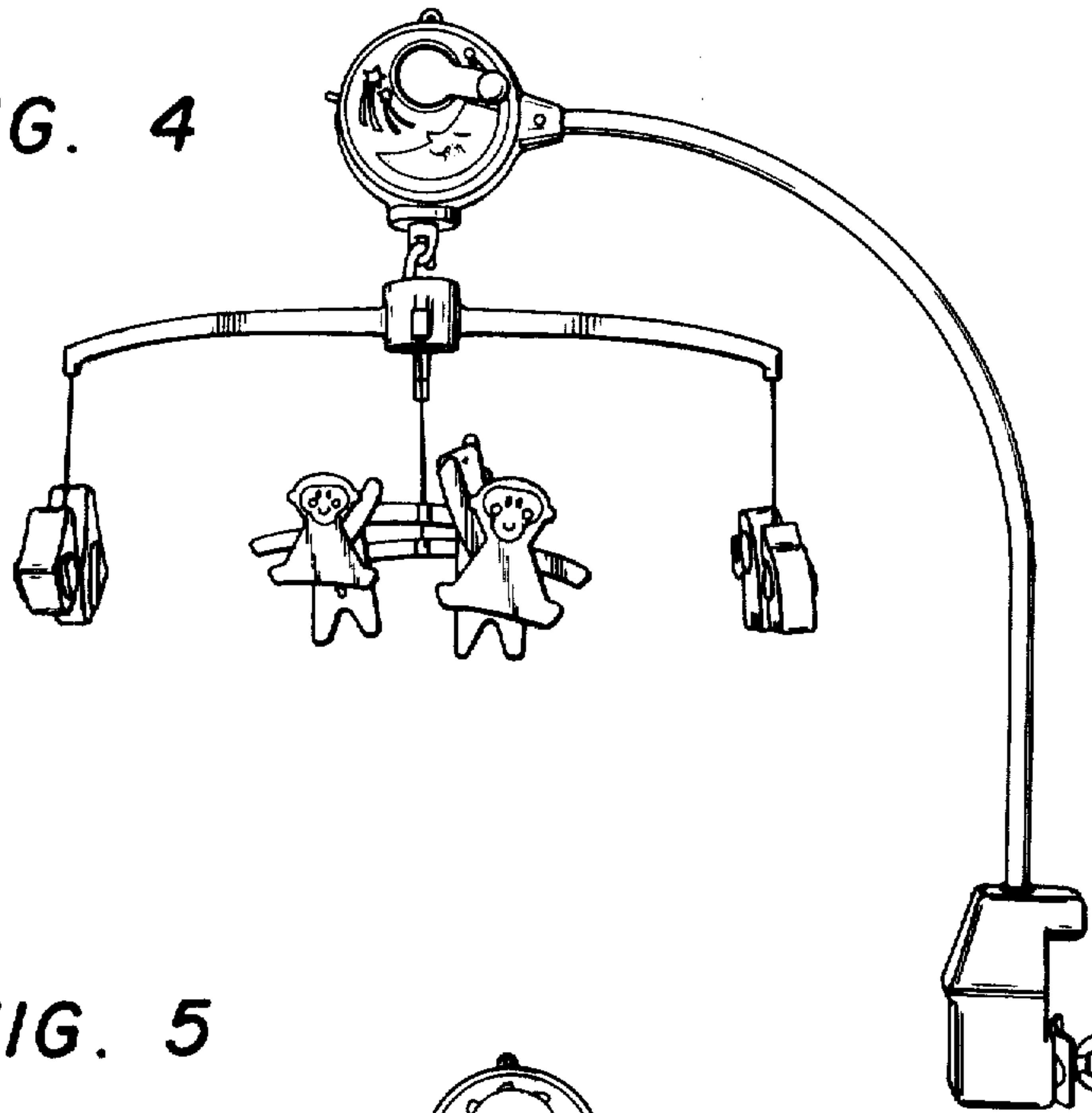


FIG. 5

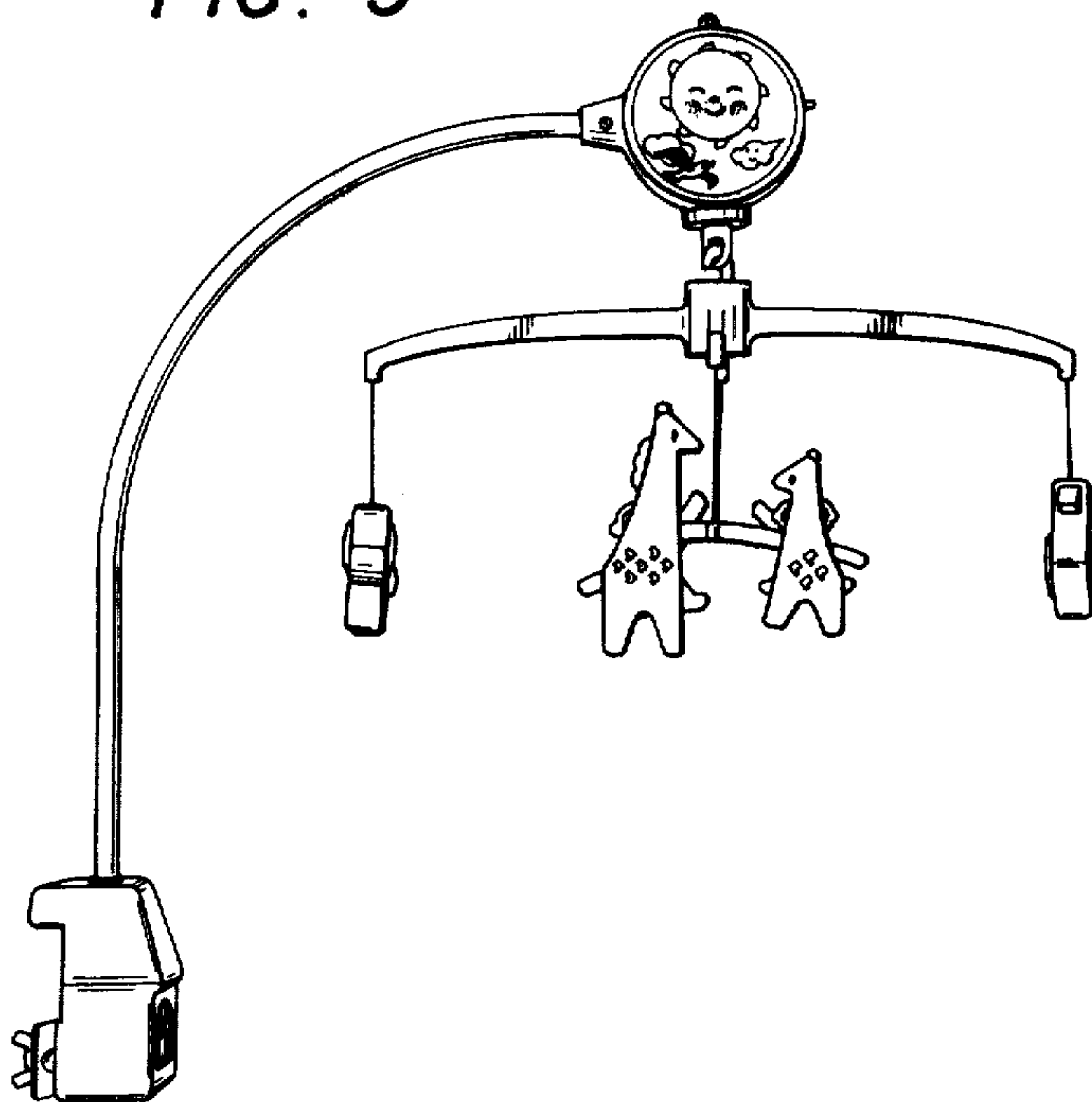


FIG. 6

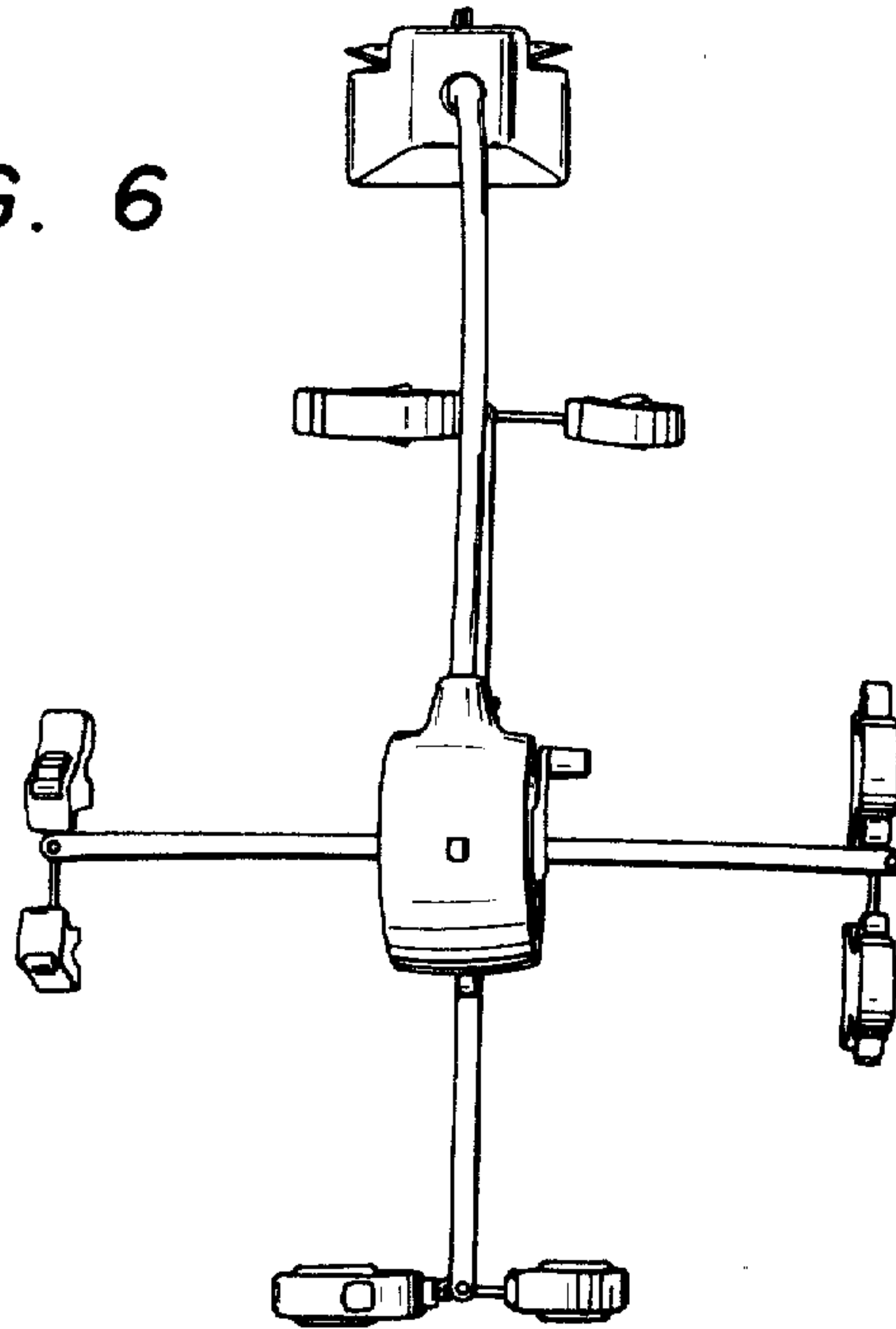


FIG. 7

