

[54] HOCKEY GAME DISPLAY AND CONTROL PANEL OR SIMILAR ARTICLE

[75] Inventor: Robert B. Lovejoy, Torrance, Calif.

[73] Assignee: Mattel, Inc., Hawthorne, Calif.

[**] Term: 14 Years

[21] Appl. No.: 951,898

[22] Filed: Oct. 16, 1978

[51] Int. Cl. D21-01

[52] U.S. Cl. D21/13; D21/27

[58] Field of Search D21/27; 273/85 G

[56] References Cited

U.S. PATENT DOCUMENTS

4,162,792 7/1979 Chang et al. 273/85 G

OTHER PUBLICATIONS

Toys and Novelties, Apr., 1960, lower left, Hockey Game.

Primary Examiner—Melvin B. Feifer

Attorney, Agent, or Firm—John G. Mesaros; Ronald Goldman; Max Shirk

[57] CLAIM

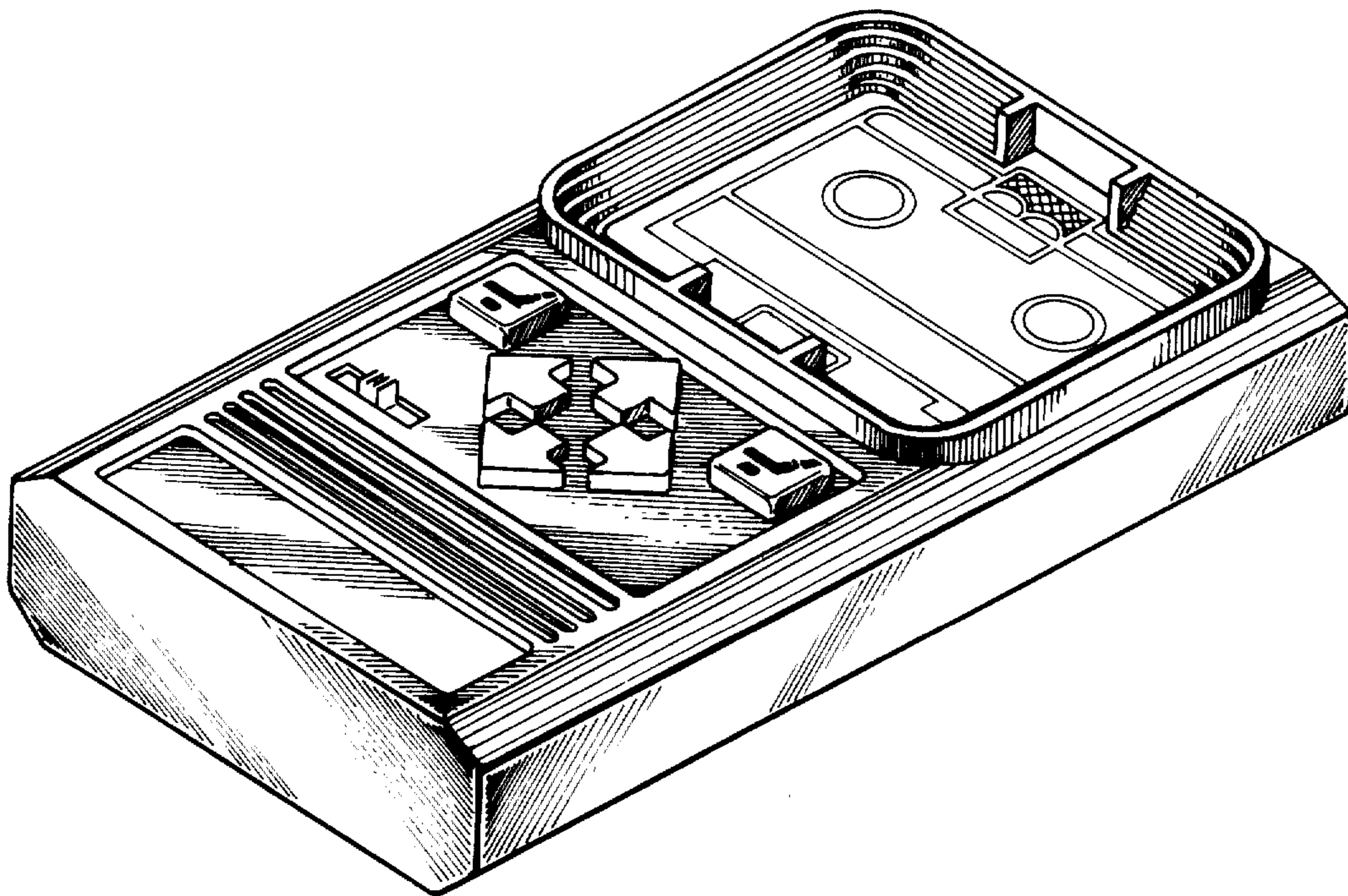
The ornamental design for a hockey game display and control panel or similar article, as shown and described.

DESCRIPTION

FIG. 1 is a front plan view of the hockey game display and control panel or similar article showing my new design; and

FIG. 2 is a perspective view thereof.

The back is plain and unornamented.



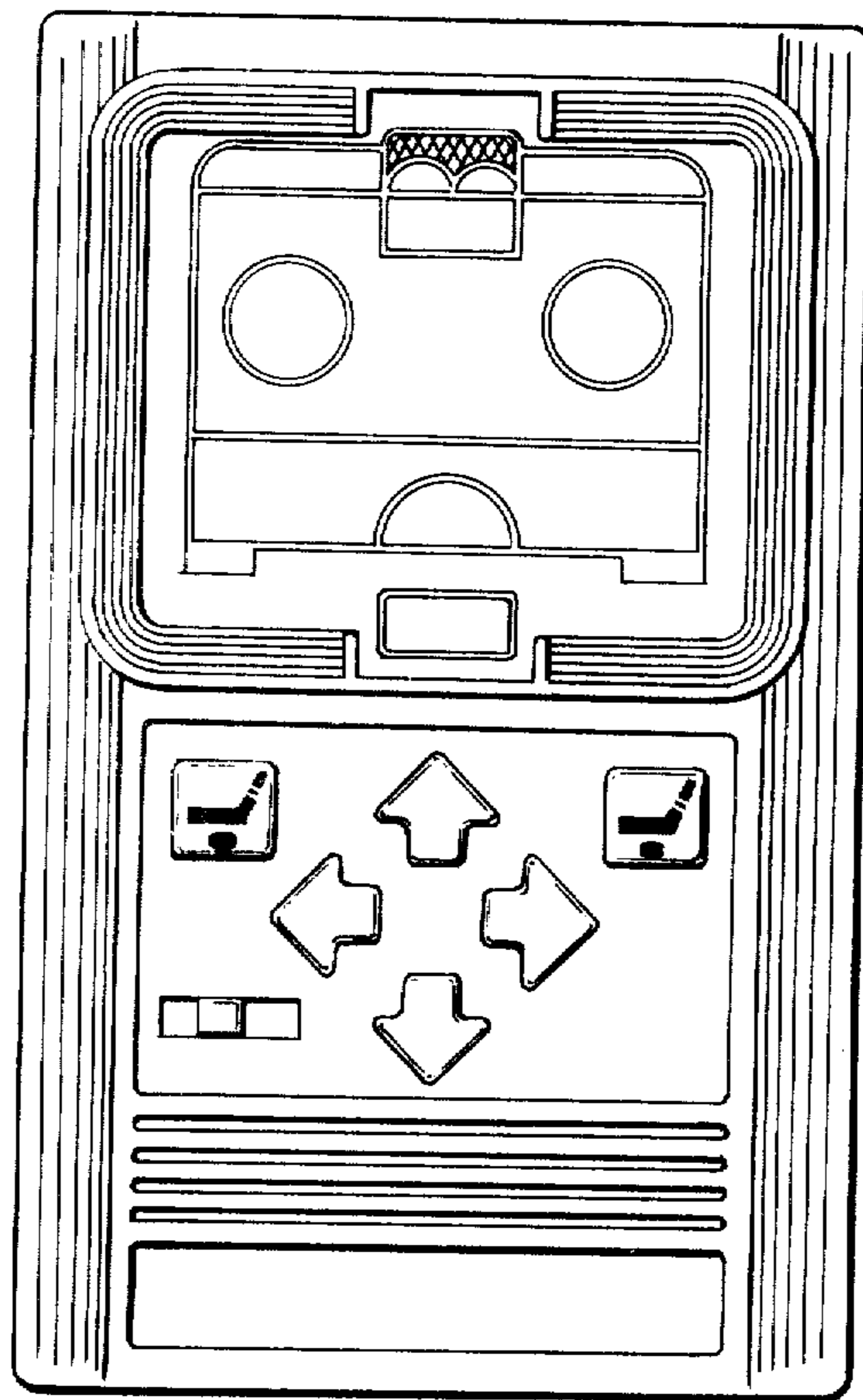


FIG. 1

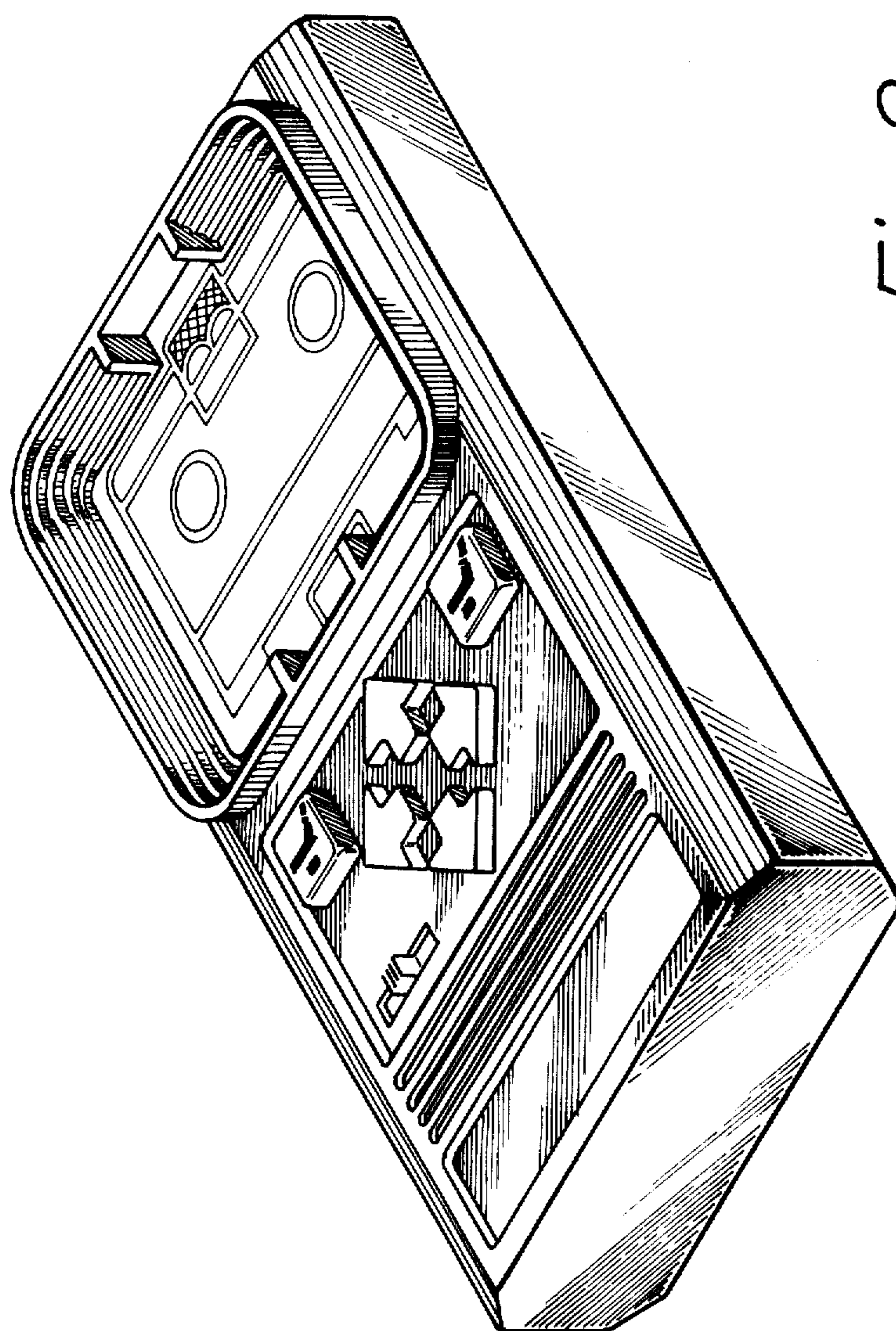


Fig. 2.