

[54] DESIGN FOR A HANDHELD CALCULATOR

[75] Inventors: Shinpei Ichikawa, Lubbock; William J. Lawrence, Dallas, both of Tex.

[73] Assignee: Texas Instruments Incorporated, Dallas, Tex.

[**] Term: 14 Years

[21] Appl. No.: 20,558

[22] Filed: Mar. 15, 1979

[51] Int. Cl. D18-01

[52] U.S. Cl. D18/7

[58] Field of Search D18/2, 6-8; D14/45; 200/5 R; 364/706-710

[56] References Cited

U.S. PATENT DOCUMENTS

D. 251,330 3/1979 Kurosu et al. D18/7 X

4,092,527 5/1978 Luecke 364/709
4,104,728 8/1978 Kasubuchi 364/708 X

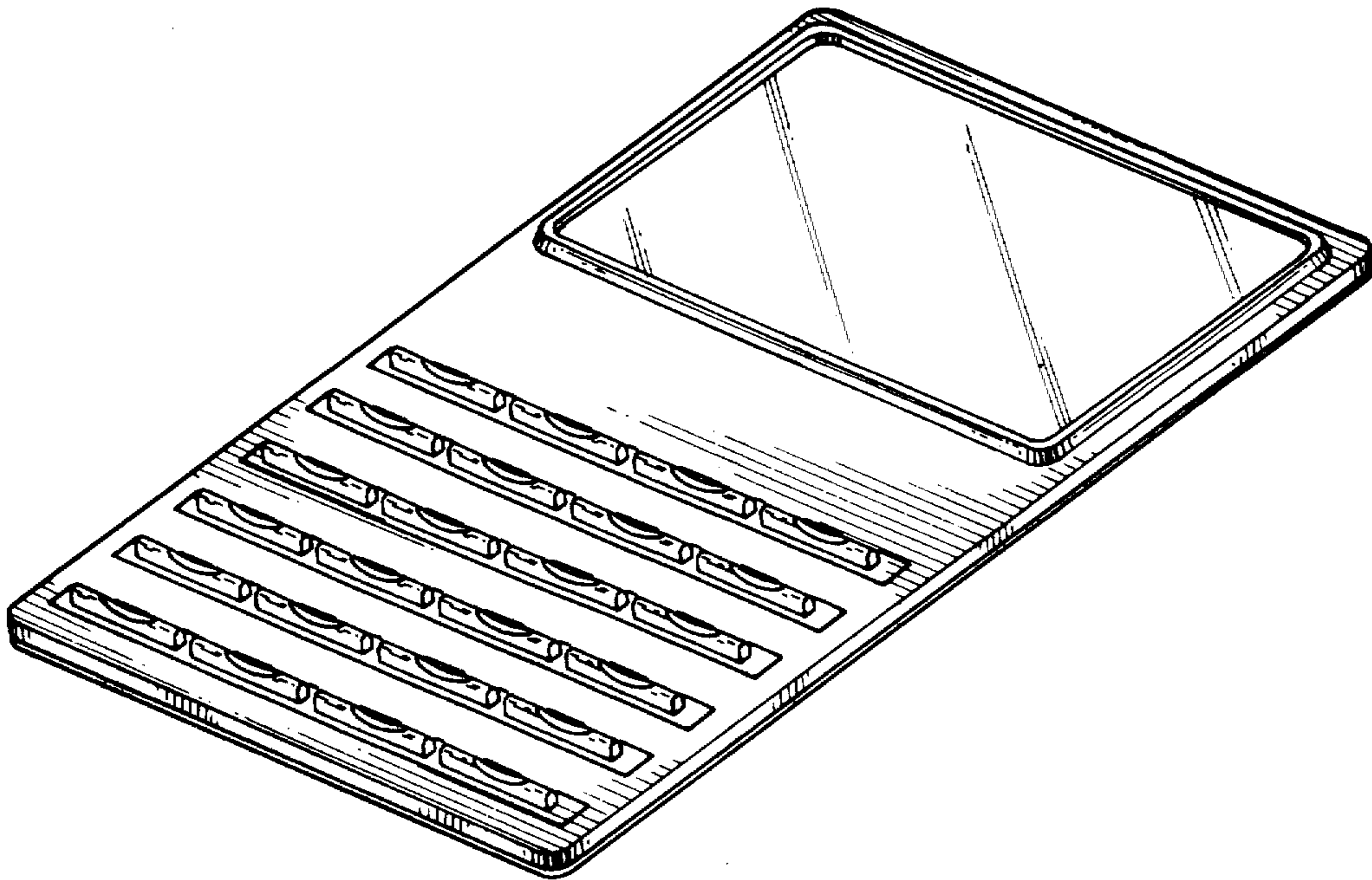
Primary Examiner—Louis S. Zarfes
Attorney, Agent, or Firm—Robert D. Marshall, Jr.; Leo N. Heiting; Melvin Sharp

[57] CLAIM

The ornamental design for a handheld calculator, substantially as shown and described.

DESCRIPTION

FIG. 1 is a top right perspective view of a handheld calculator showing our new design;
FIG. 2 is a top plan view of the handheld calculator shown in FIG. 1;
FIG. 3 is a right side elevational view of the handheld calculator; and
FIG. 4 is a front end view of the handheld calculator. The bottom of the handheld calculator is plain and unornamented.



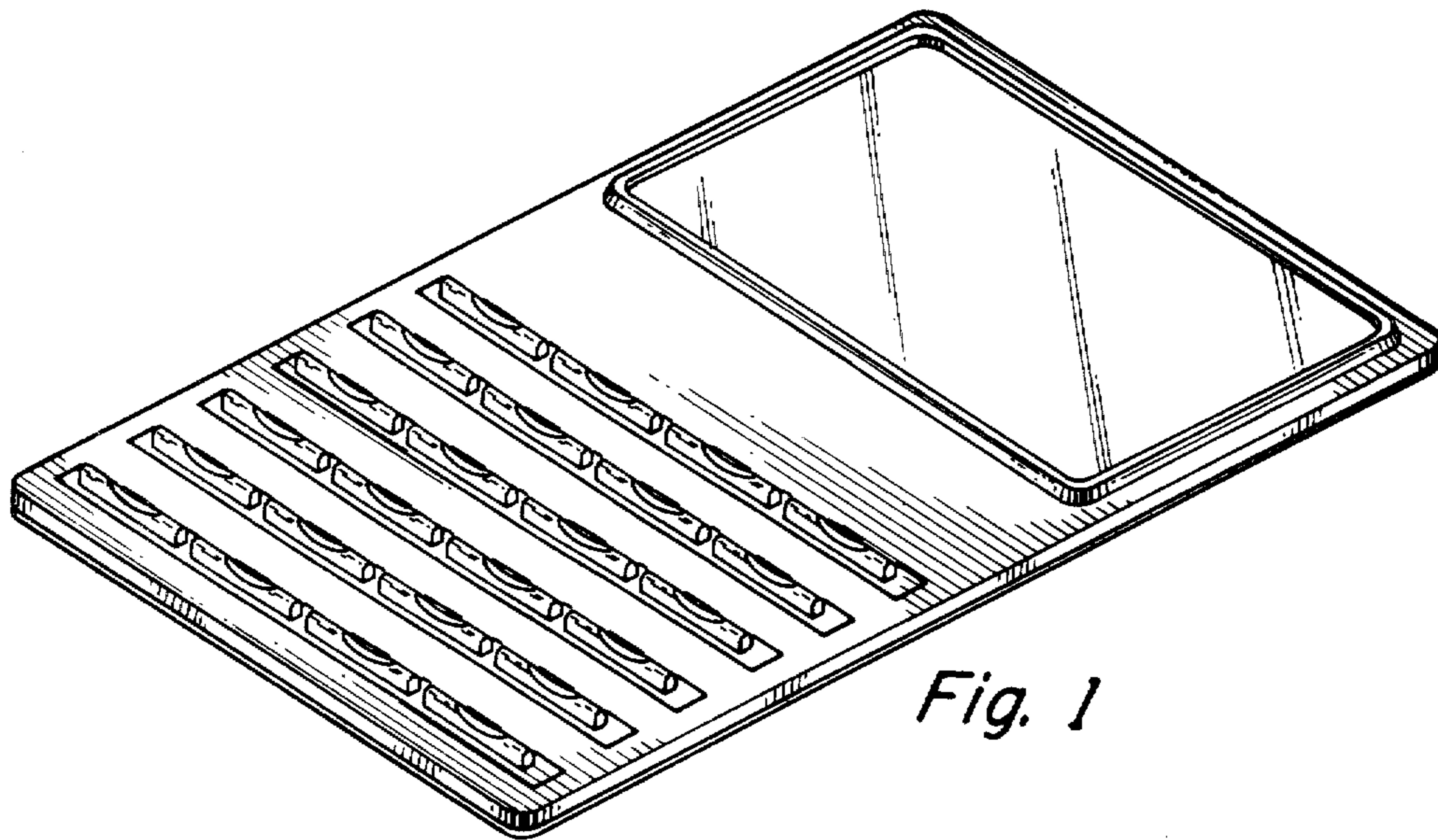


Fig. 1

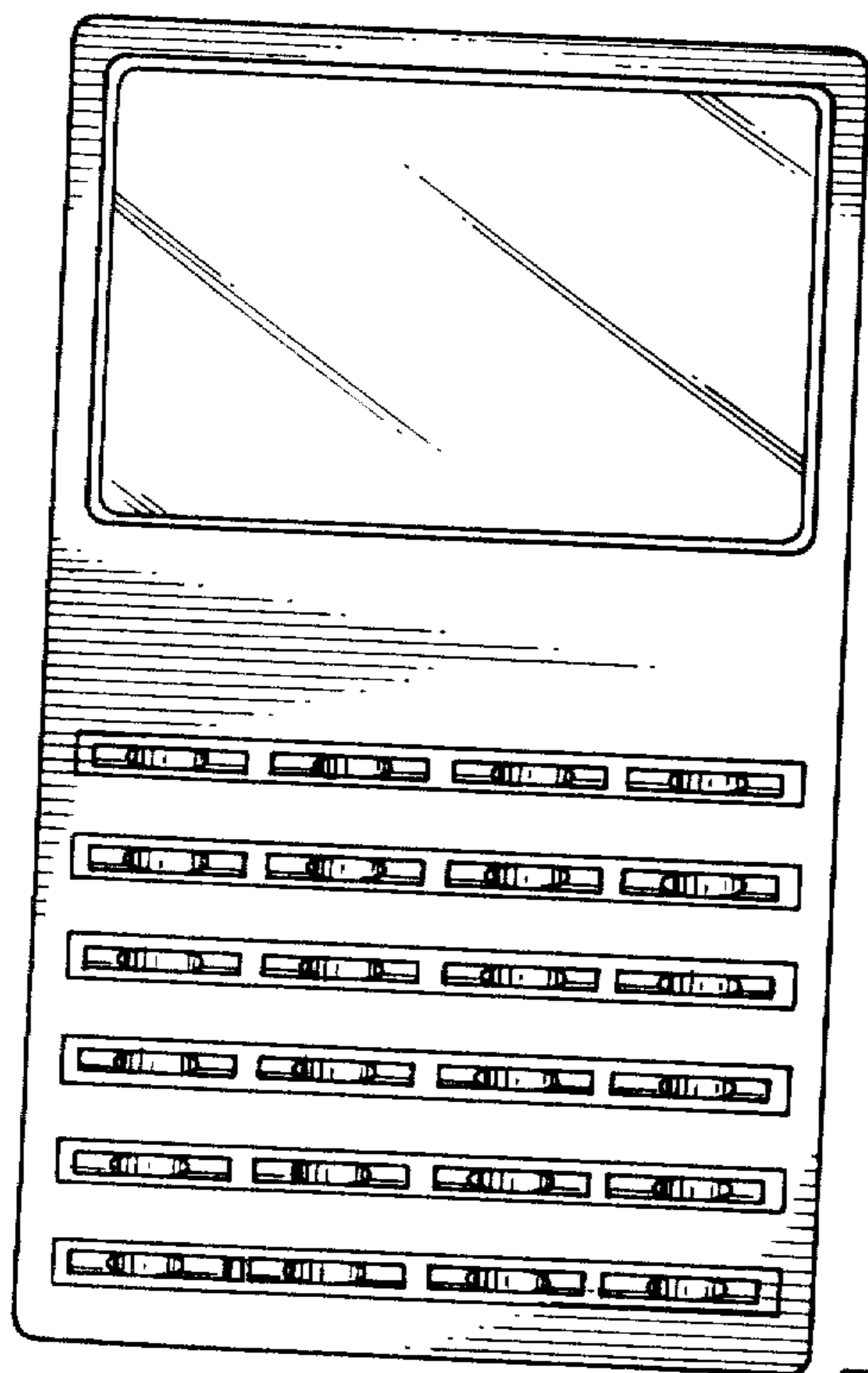


Fig. 2

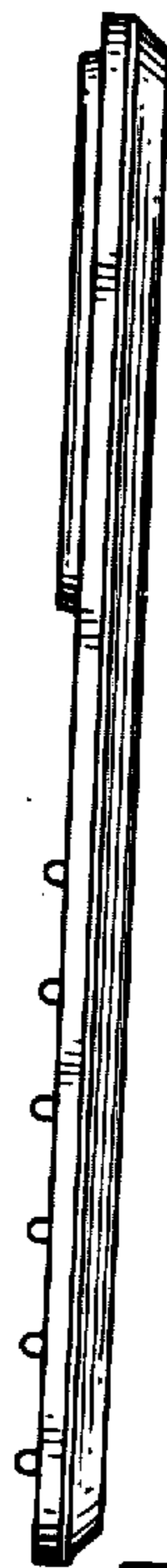


Fig. 3

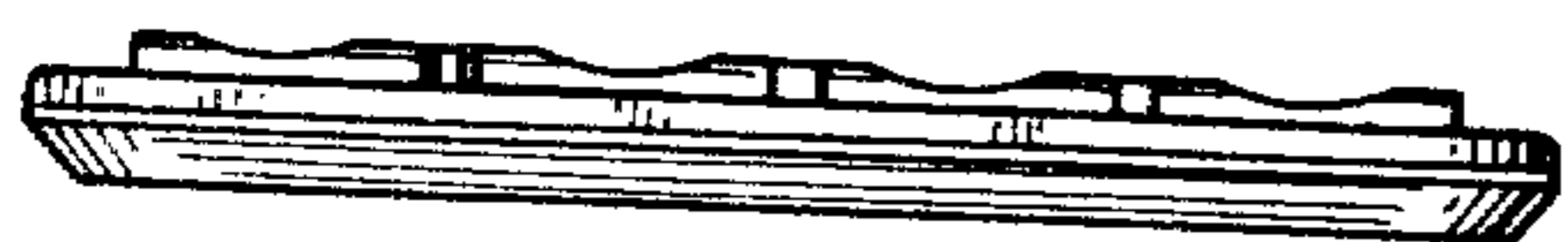


Fig. 4