

[54] **ELECTROSTATIC COPIER**

[75] Inventor: **Koji Hikawa**, Tokyo, Japan

[73] Assignee: **Ricoh Company, Ltd.**, Japan

[\*\*] Term: **7 Years**

[21] Appl. No.: **94,860**

[22] Filed: **Nov. 15, 1979**

[30] **Foreign Application Priority Data**

May 17, 1979 [JP] Japan ..... 54-20129

[51] Int. Cl. .... **D16-03**

[52] U.S. Cl. .... **D16/31**

[58] Field of Search ..... **D16/27-32;**  
**355/3 R, 8, 9**

[56] **References Cited**

**U.S. PATENT DOCUMENTS**

D. 243,522 3/1977 Nakade ..... D16/31

*Primary Examiner*—Peter M. Caun  
*Attorney, Agent, or Firm*—McGlew and Tuttle

[57] **CLAIM**

The ornamental design for an electrostatic copier, as shown.

**DESCRIPTION**

FIG. 1 is a right side front perspective view of an electrostatic copier, showing my new design.

FIG. 2 is a top plan view thereof.

FIG. 3 is a front view thereof.

FIG. 4 is a right side elevational view thereof.

FIG. 5 is a left side elevational view thereof.

FIG. 6 is a rear elevational view thereof.

FIG. 7 is a bottom plan view thereof.

FIG. 8 is a perspective view thereof in operational condition.

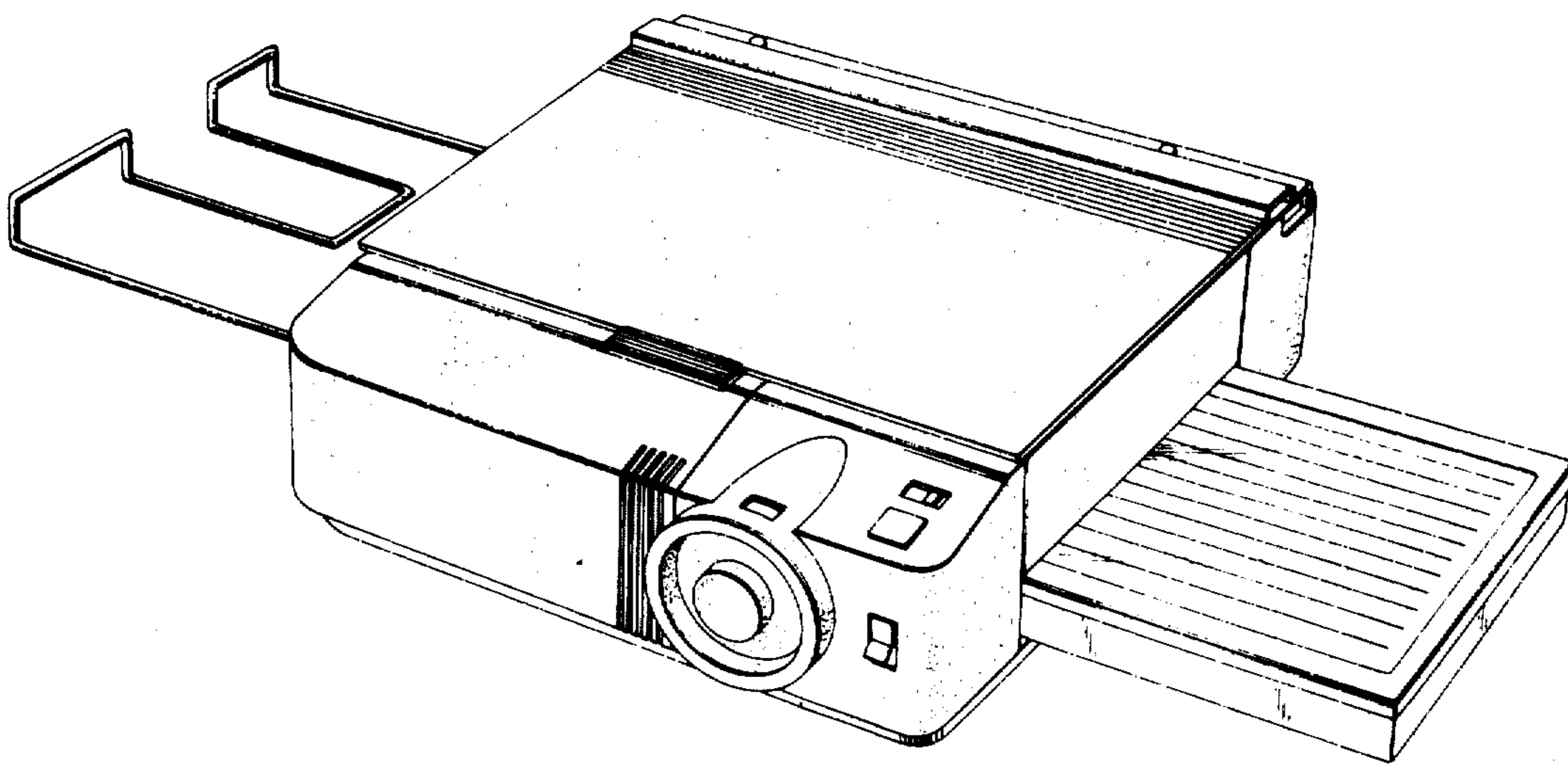


FIG. 1

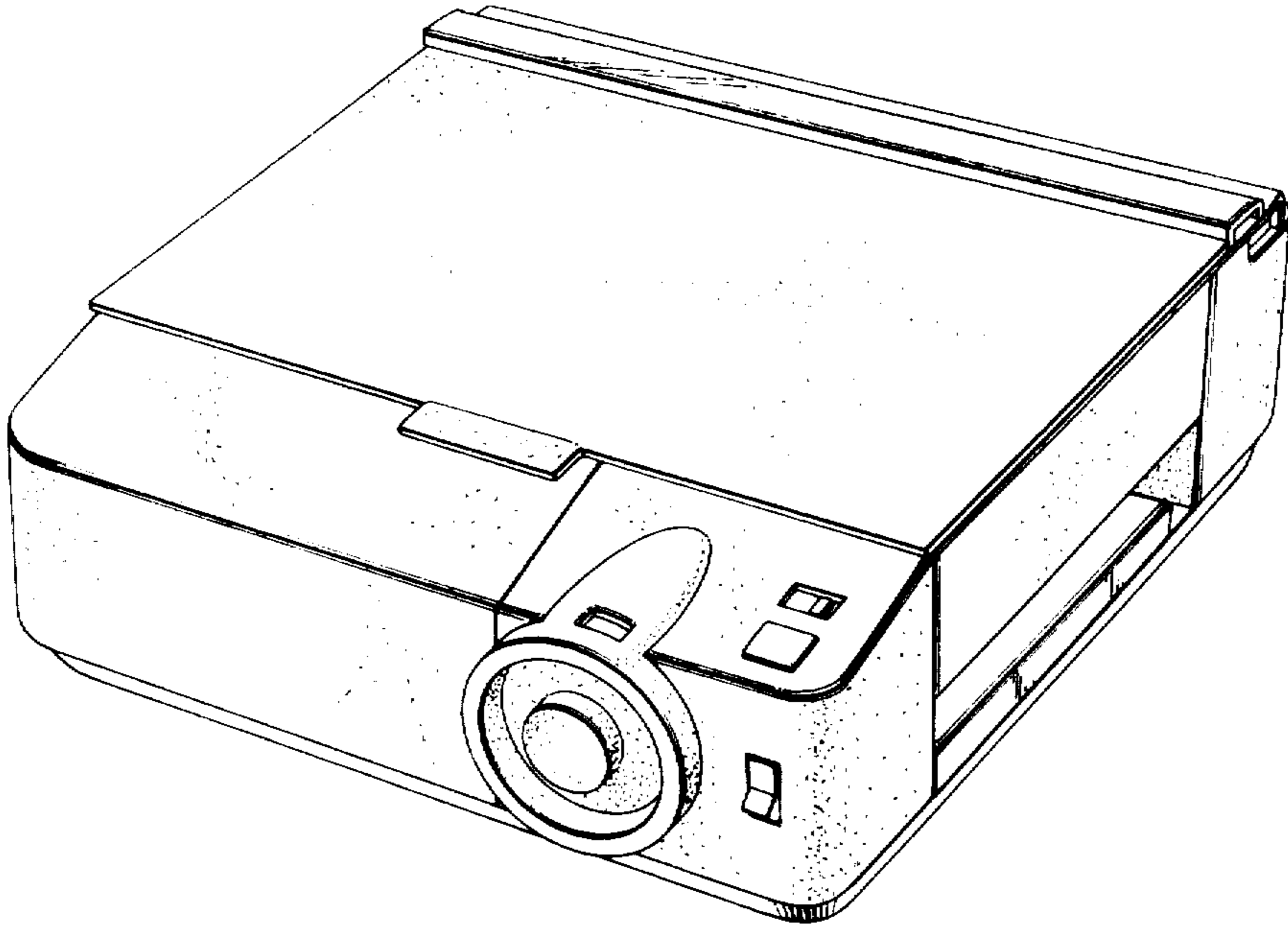


FIG. 2

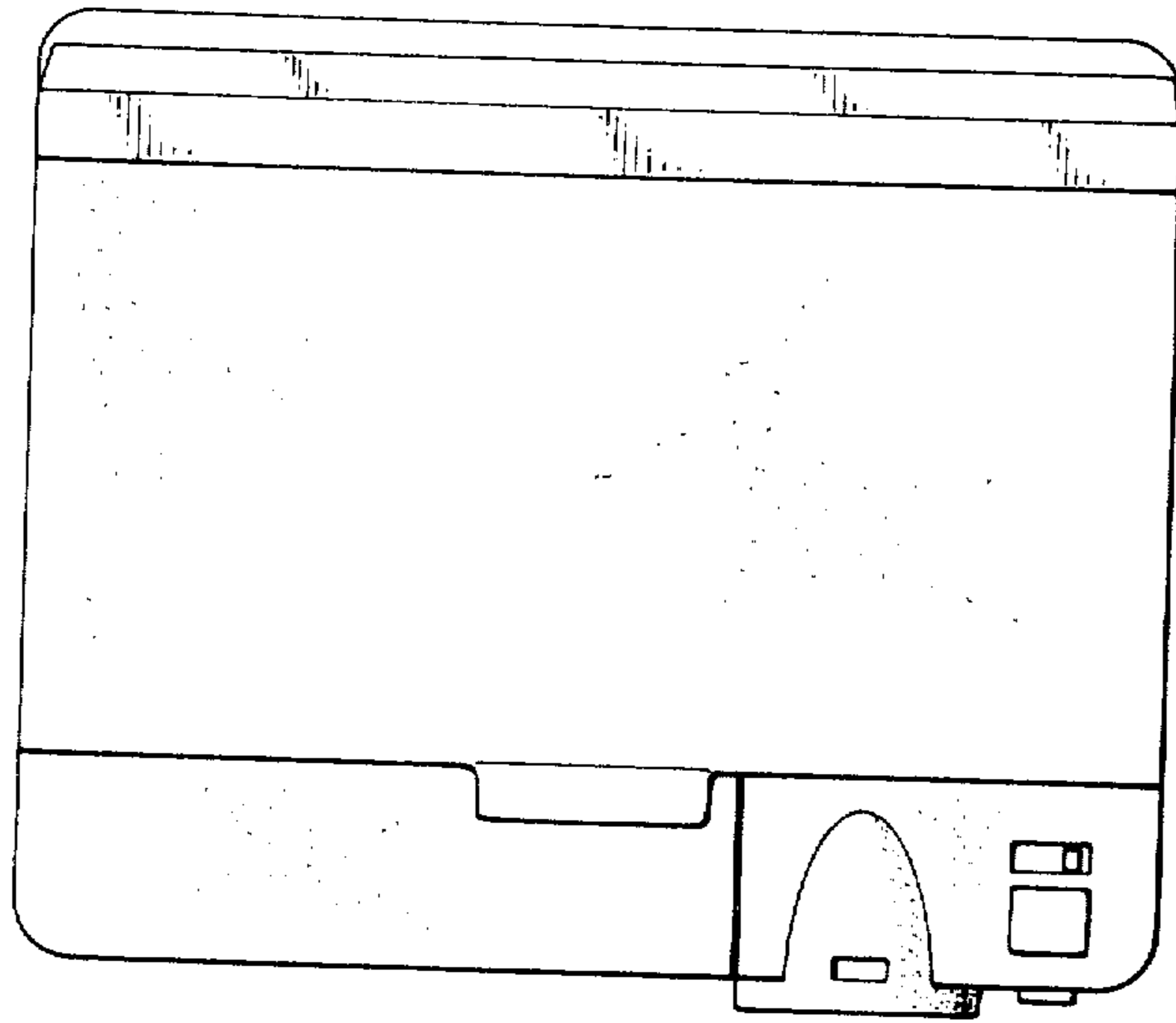


FIG. 3

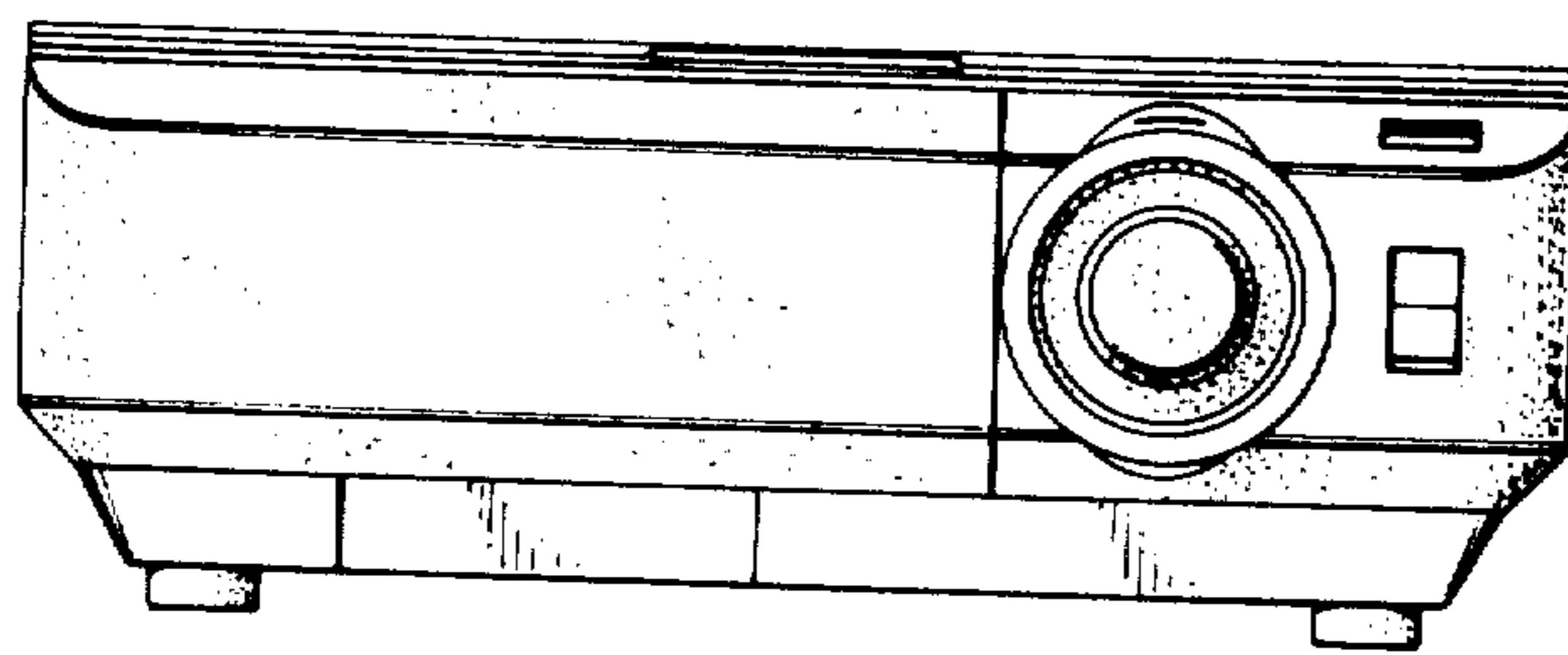


FIG. 4

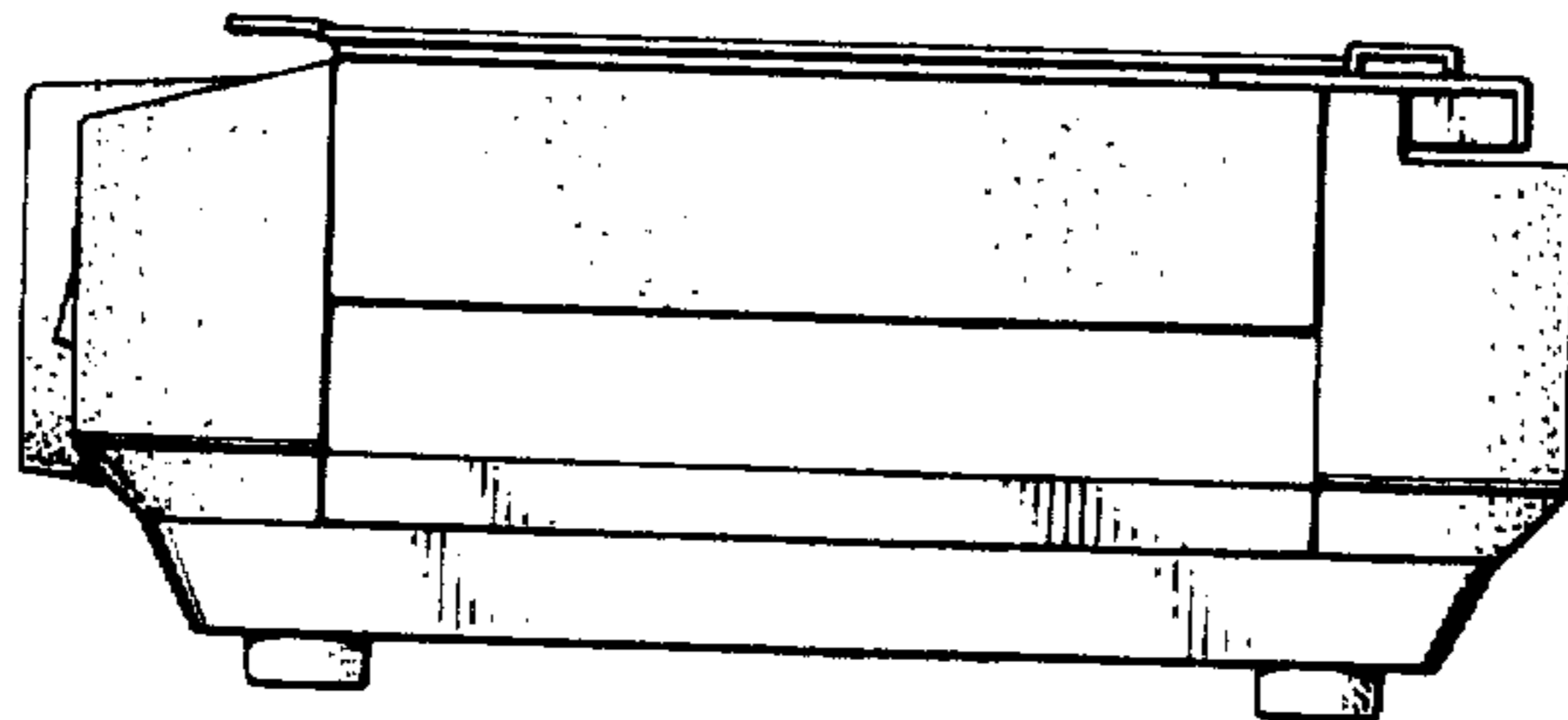


FIG. 5

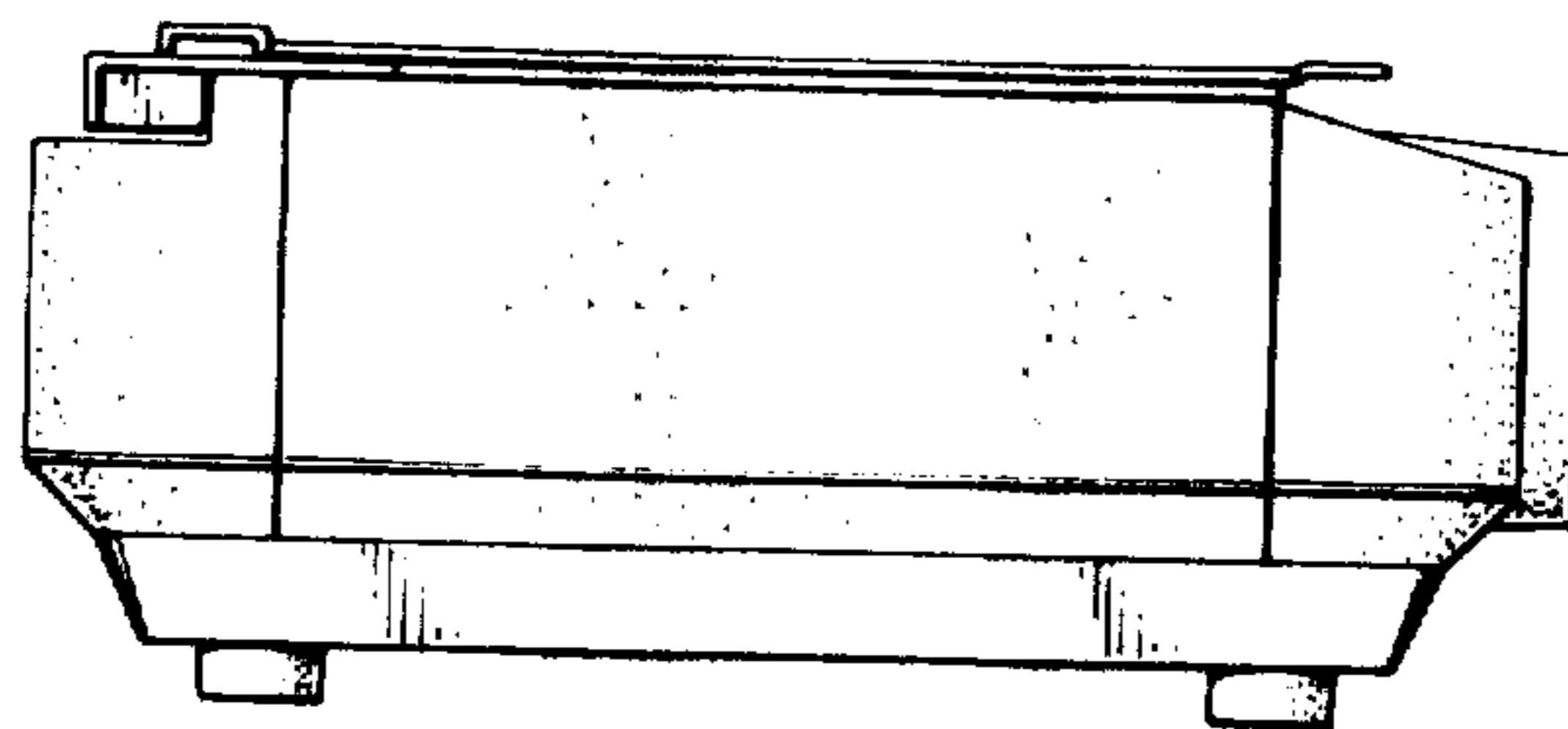


FIG. 6

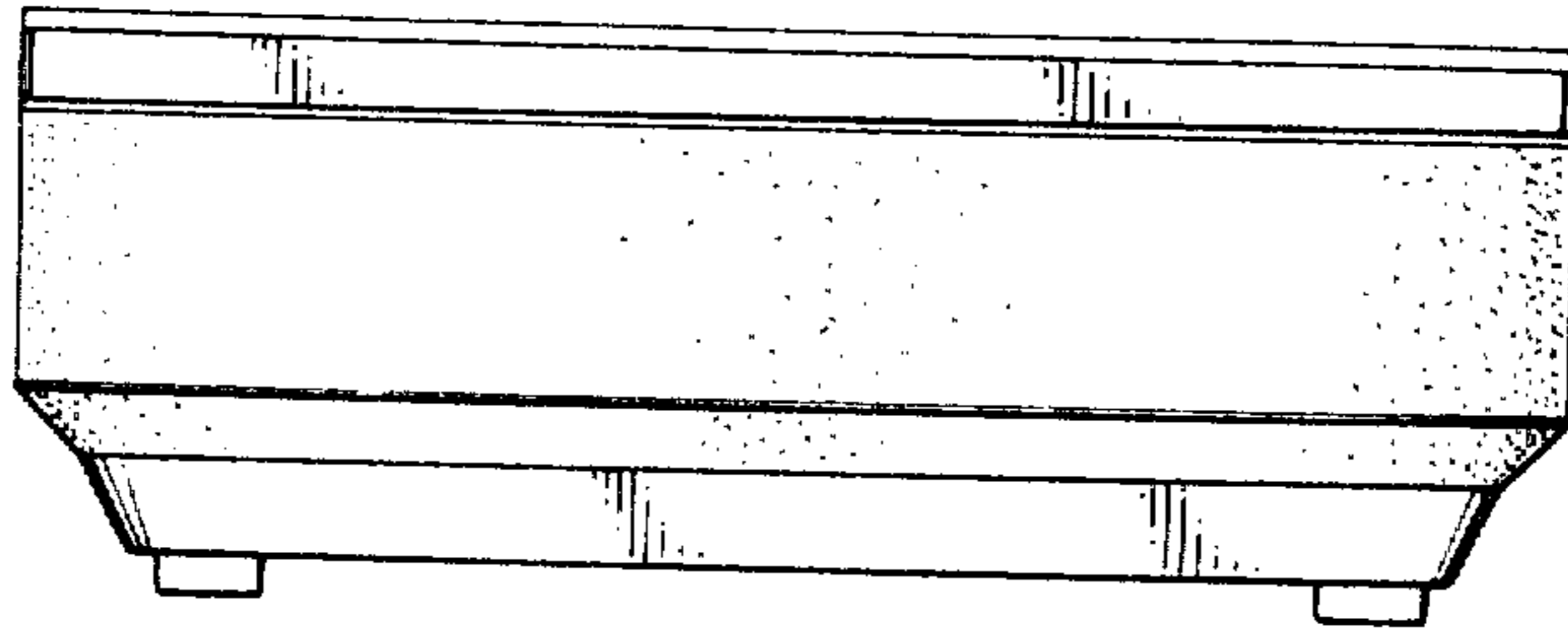


FIG. 7

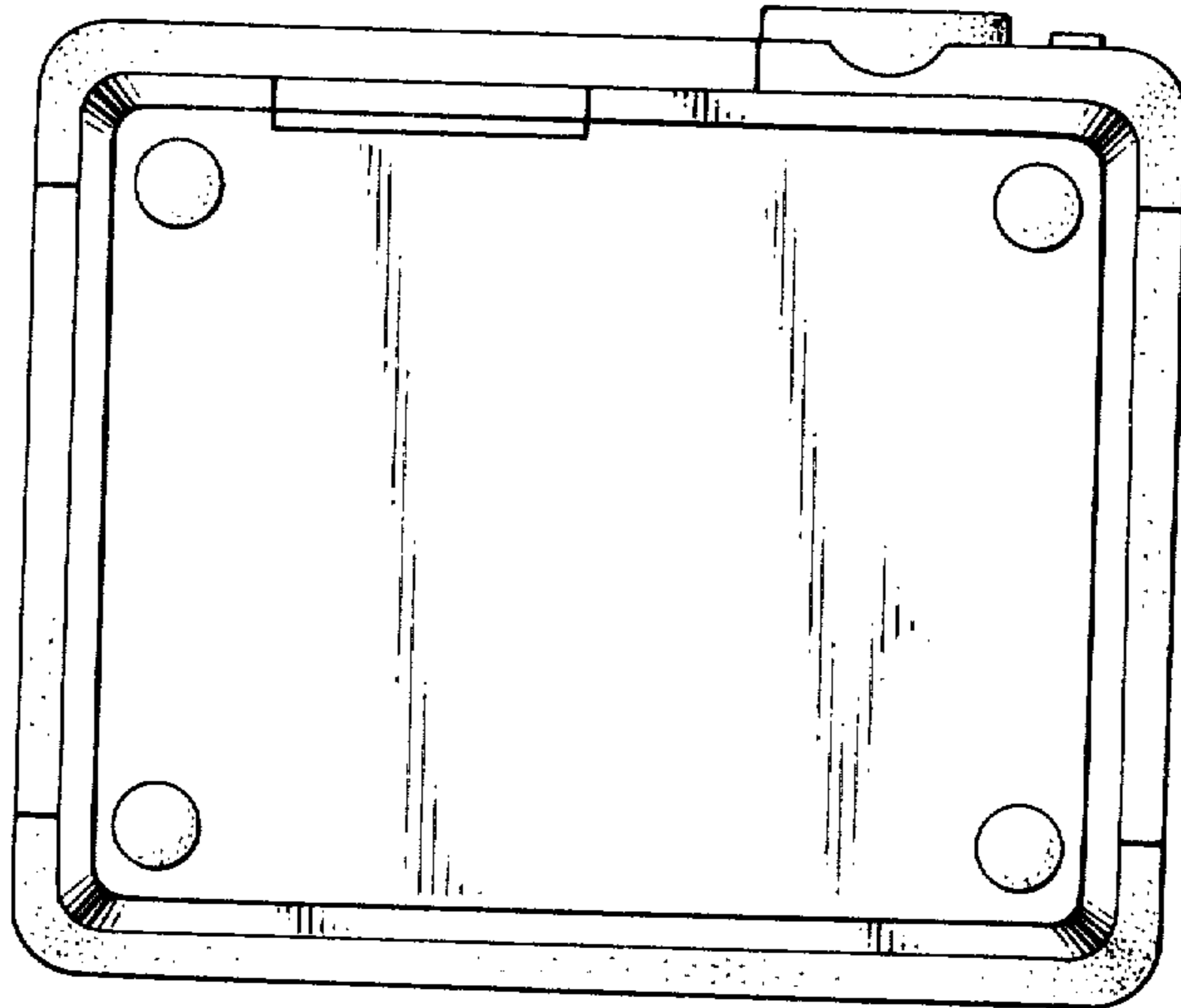


FIG. 8

