

[54] ANTENNA BASE

[76] Inventor: David F. Metz, Wentworth Cove Rd., Laconia, N.H. 03246

[**] Term: 14 Years

[21] Appl. No.: 62,017

[22] Filed: Jul. 30, 1979

[51] Int. Cl. D14-03

[52] U.S. Cl. D14/91

[58] Field of Search D14/86, 90, 91; 52/110; 343/715, 900

[56]

References Cited

U.S. PATENT DOCUMENTS

D. 255,449	6/1980	Liataud	D14/86
2,391,202	12/1945	Tellander et al.	52/110
4,184,162	1/1980	Grashow	343/715
4,224,625	9/1980	Peretz et al.	343/715

Primary Examiner—Peter M. Caun
Attorney, Agent, or Firm—Thomas C. Stover, Jr.

[57]

CLAIM

The ornamental design for an antenna base, as shown.

DESCRIPTION

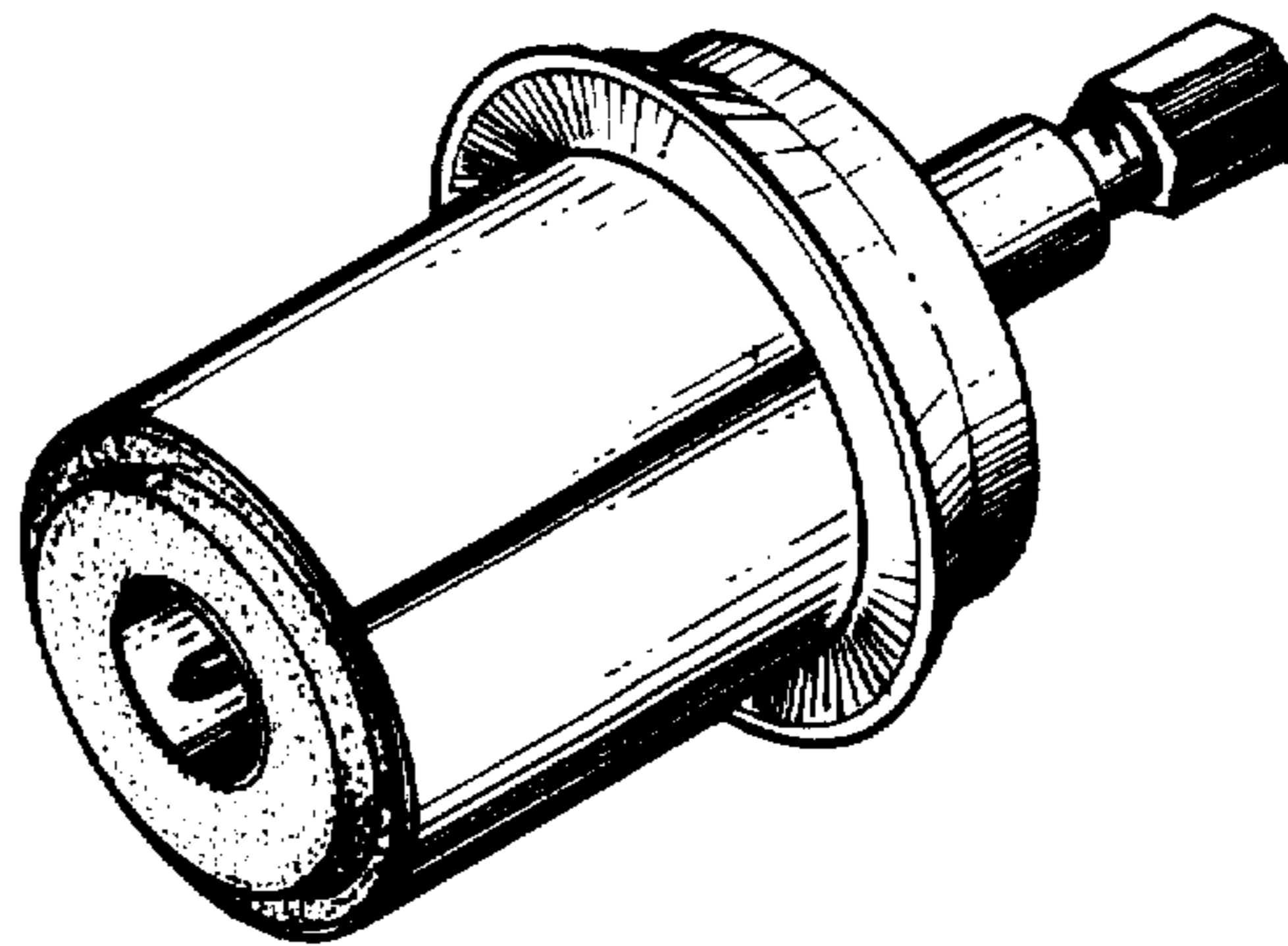
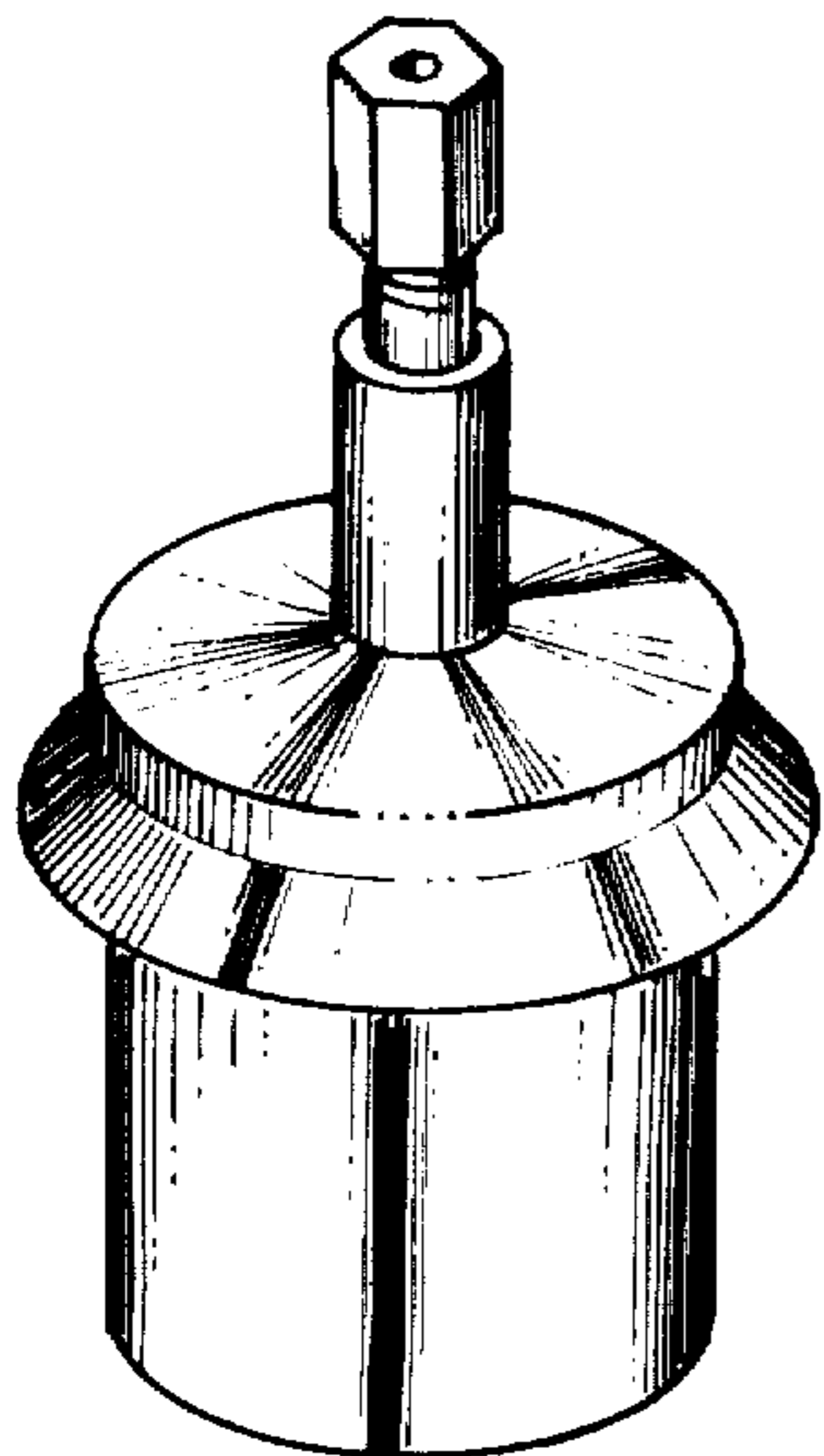
FIG. 1 is a top perspective view of said antenna base showing my new design.

FIG. 2 is a bottom perspective view thereof.

FIG. 3 is a side elevation view thereof.

FIG. 4 is a top plan view thereof, and

FIG. 5 is a bottom plan view thereof.



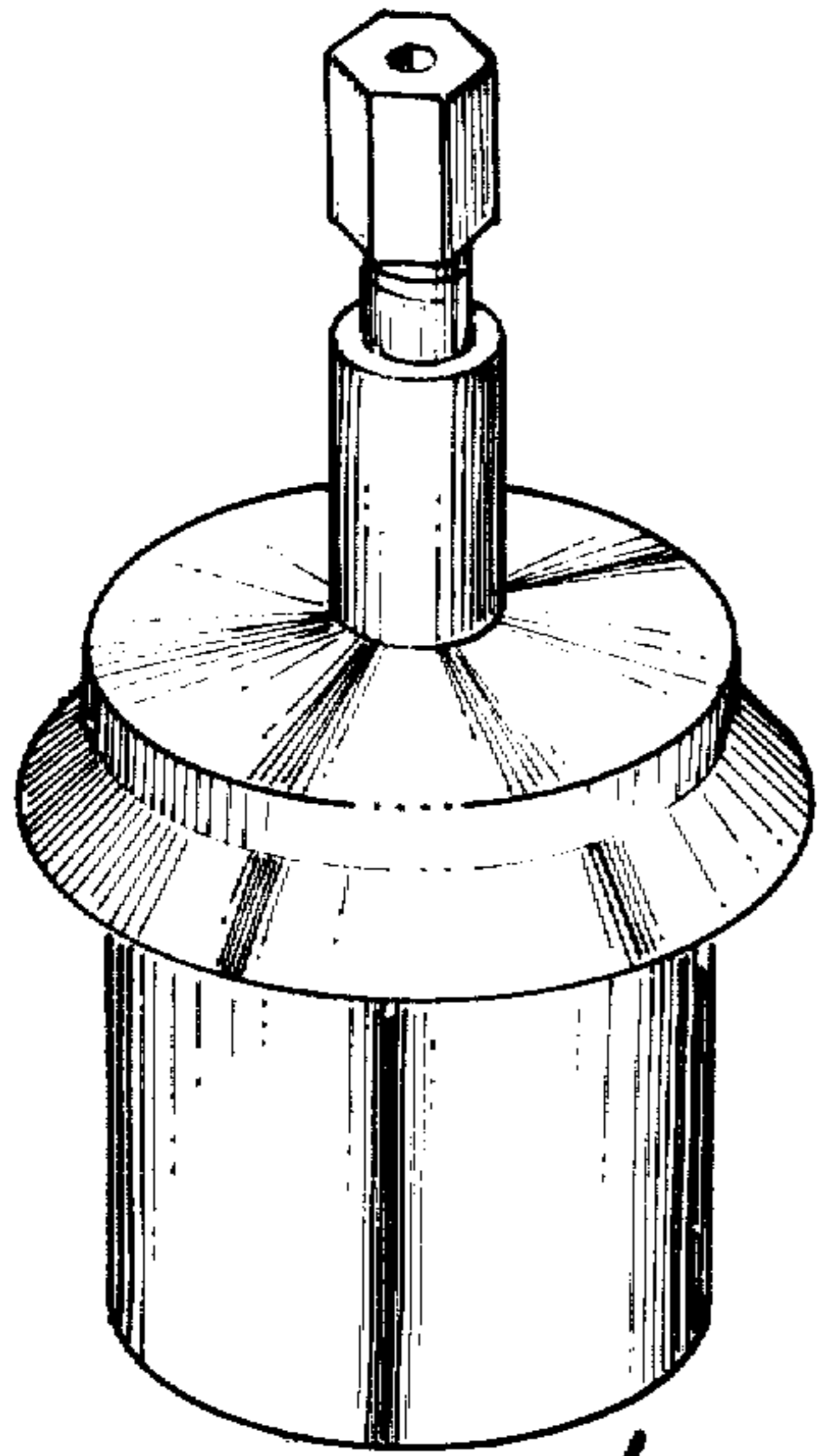


fig. 1

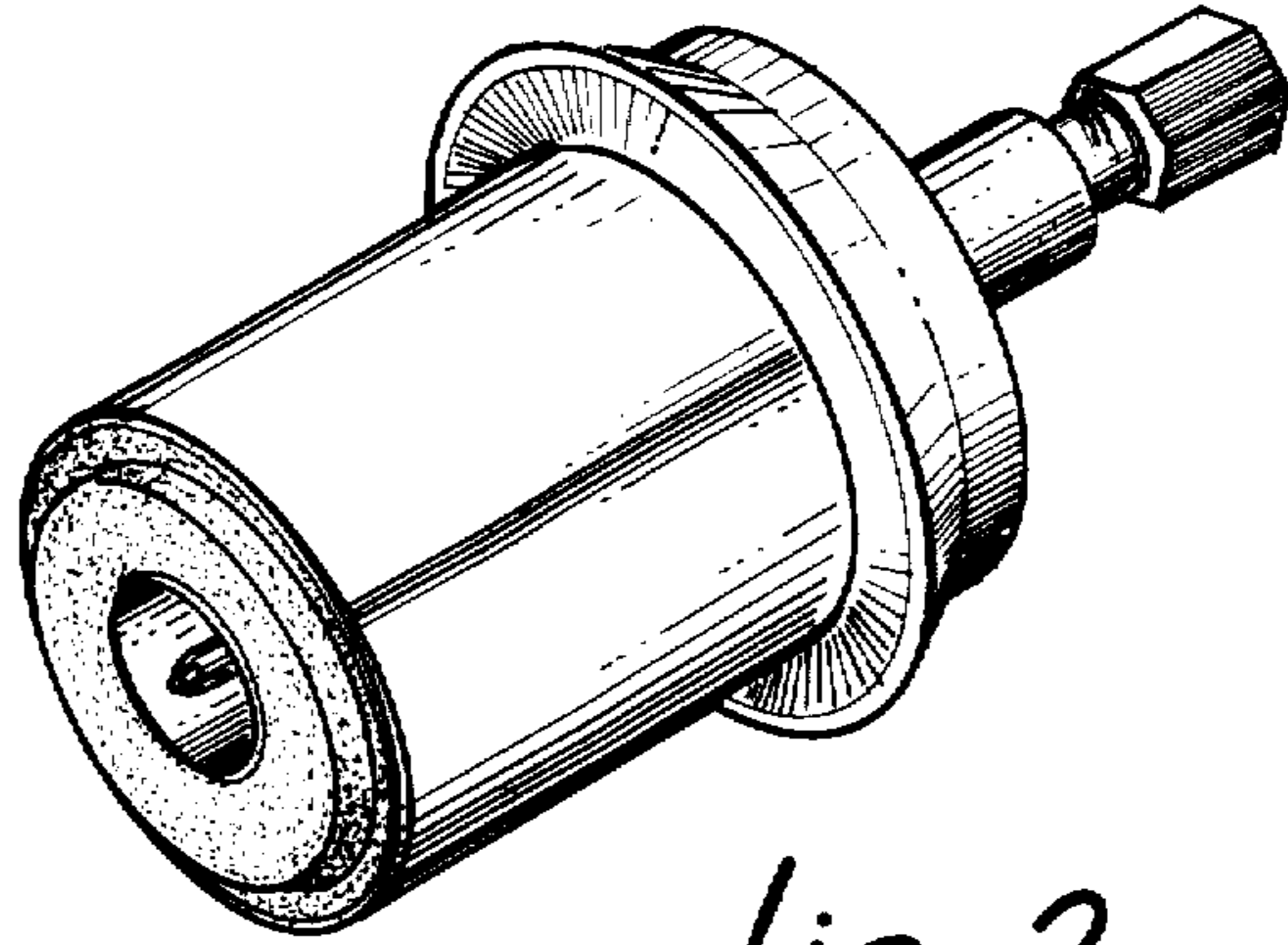


fig. 2

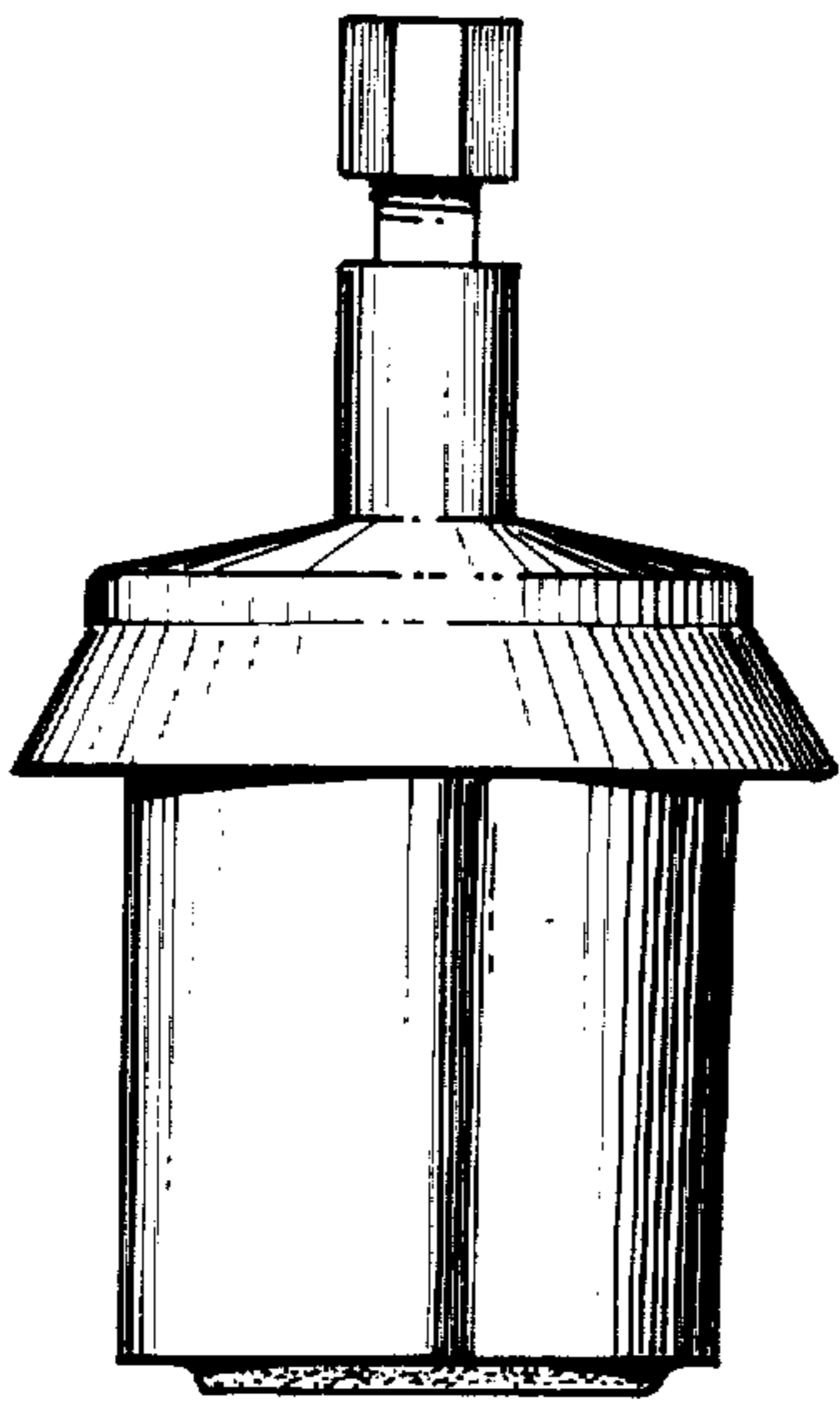


fig. 3

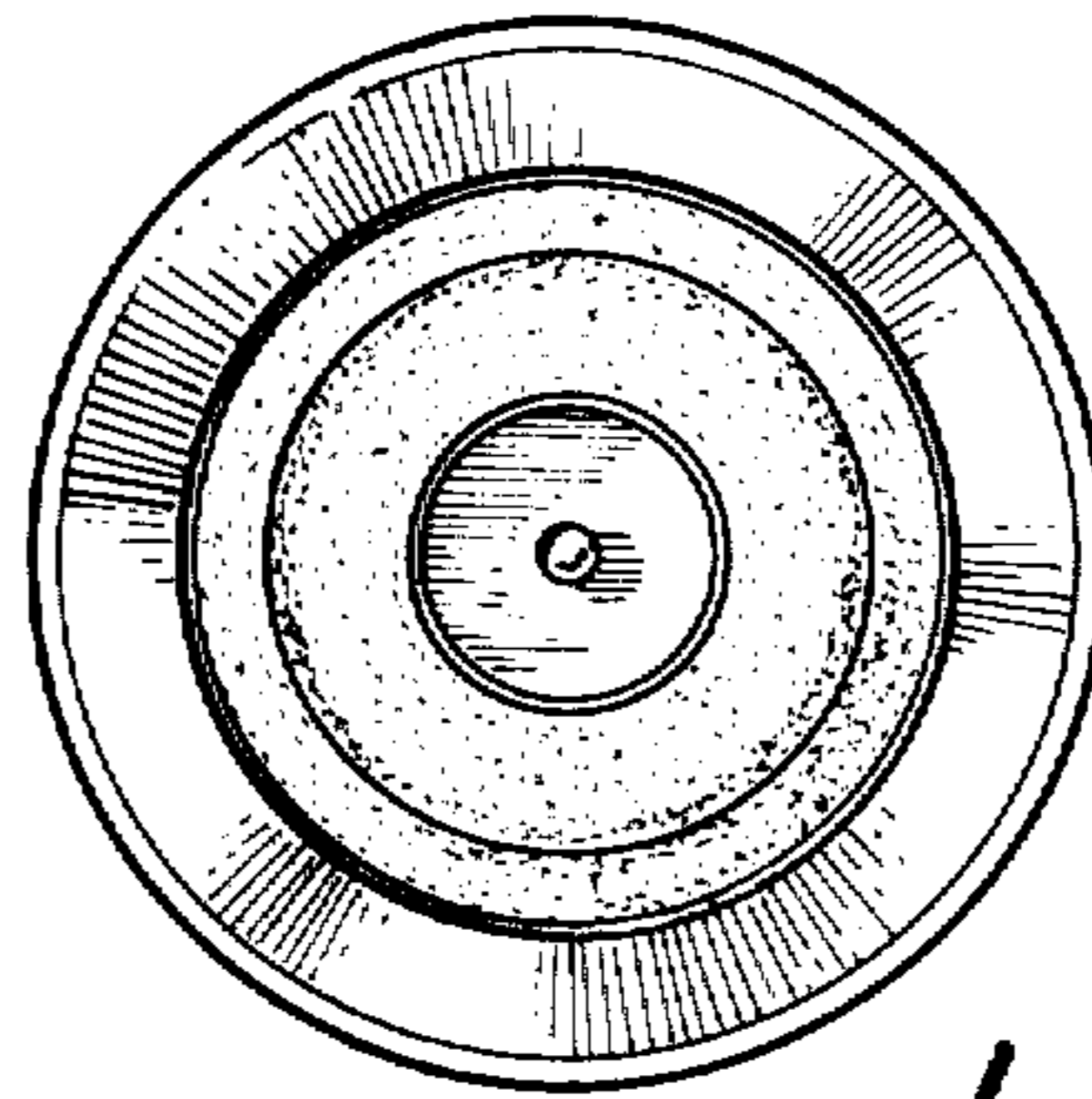


fig. 5

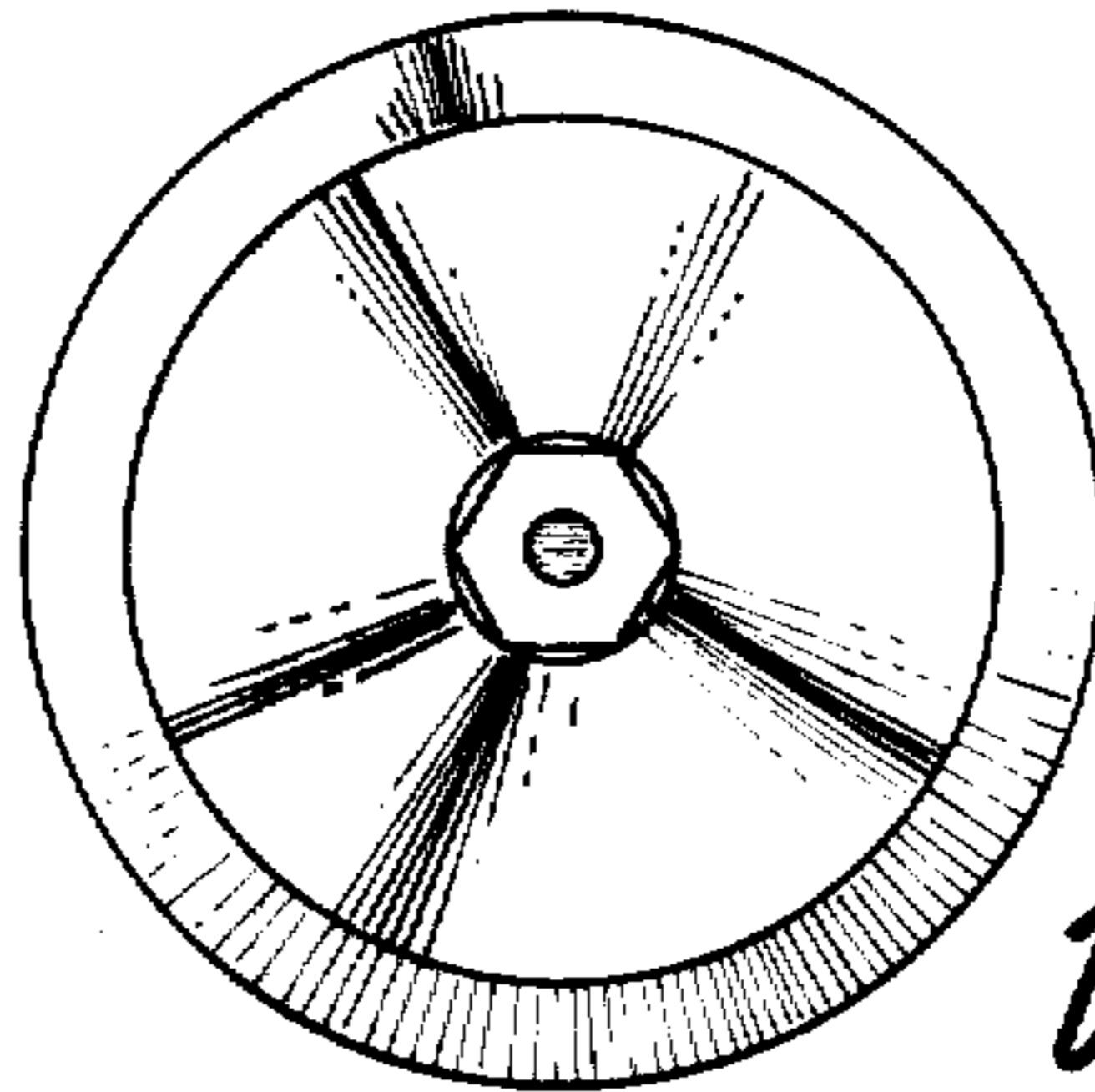


fig. 4