

[54] DIGITAL CLOCK RADIO

[75] Inventors: Setsuo Miyanaga, Neyagawa; Katsutoshi Kido, Kyoto, both of Japan

[73] Assignee: Matsushita Electric Industrial Co., Ltd., Kadoma, Japan

[**] Term: 14 Years

[21] Appl. No.: 157,729

[22] Filed: Jun. 9, 1980

[30] Foreign Application Priority Data

Dec. 20, 1979 [JP] Japan 54-53705

[51] Int. Cl. D14-03; D10-01

[52] U.S. Cl. D14/73; D10/2; D10/15

[58] Field of Search D14/68, 71-76; D10/2, 15

[56] References Cited

U.S. PATENT DOCUMENTS

- D. 249,148 8/1978 Miyamoto D14/73
- D. 251,428 3/1979 Makino et al. D14/73

D. 257,352 10/1980 Makino et al. D14/73

OTHER PUBLICATIONS

Evans '79 Cat., ©'78, p. 248x, Item #1, Westclox Model 80136 Clock Radio.

Sanyo Advertising Supplement To 6-4-79, Retailing Home Furnishings, p. "4", Model #RM5500A Clock Radio.

Primary Examiner—Jane E. Corrigan
Attorney, Agent, or Firm—Sughrue, Mion, Zinn, Macpeak and Seas

[57] CLAIM

The ornamental design for a digital clock radio, as shown.

DESCRIPTION

FIG. 1 is a front, top and right side perspective view of a digital clock radio showing our new design;

FIG. 2 is a rear, bottom and left side perspective view thereof;

FIG. 3 is a front elevational view thereof;

FIG. 4 is a top plan view thereof;

FIG. 5 is a bottom plan view thereof; and

FIG. 6 is a right side elevational view thereof.

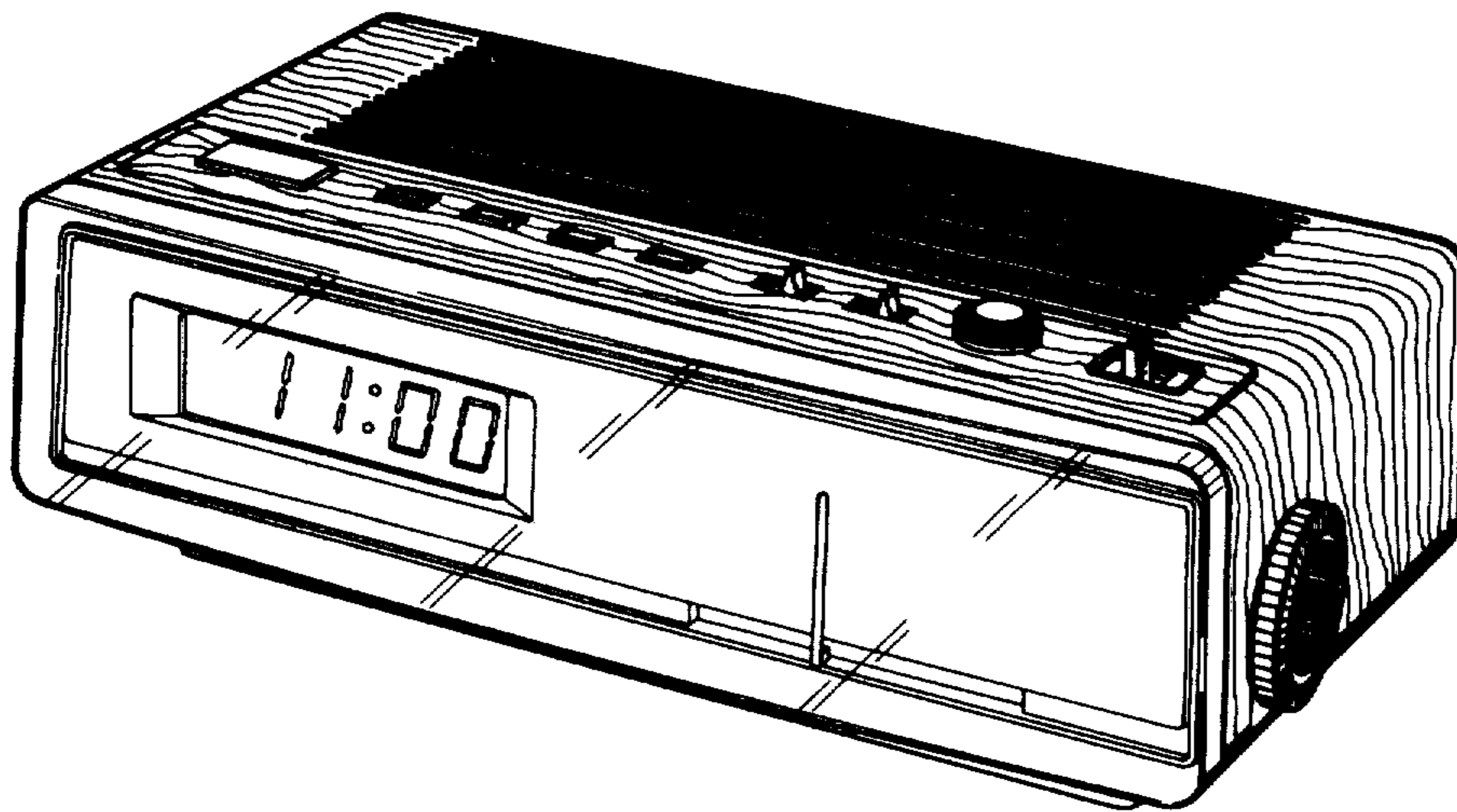


Fig. 1

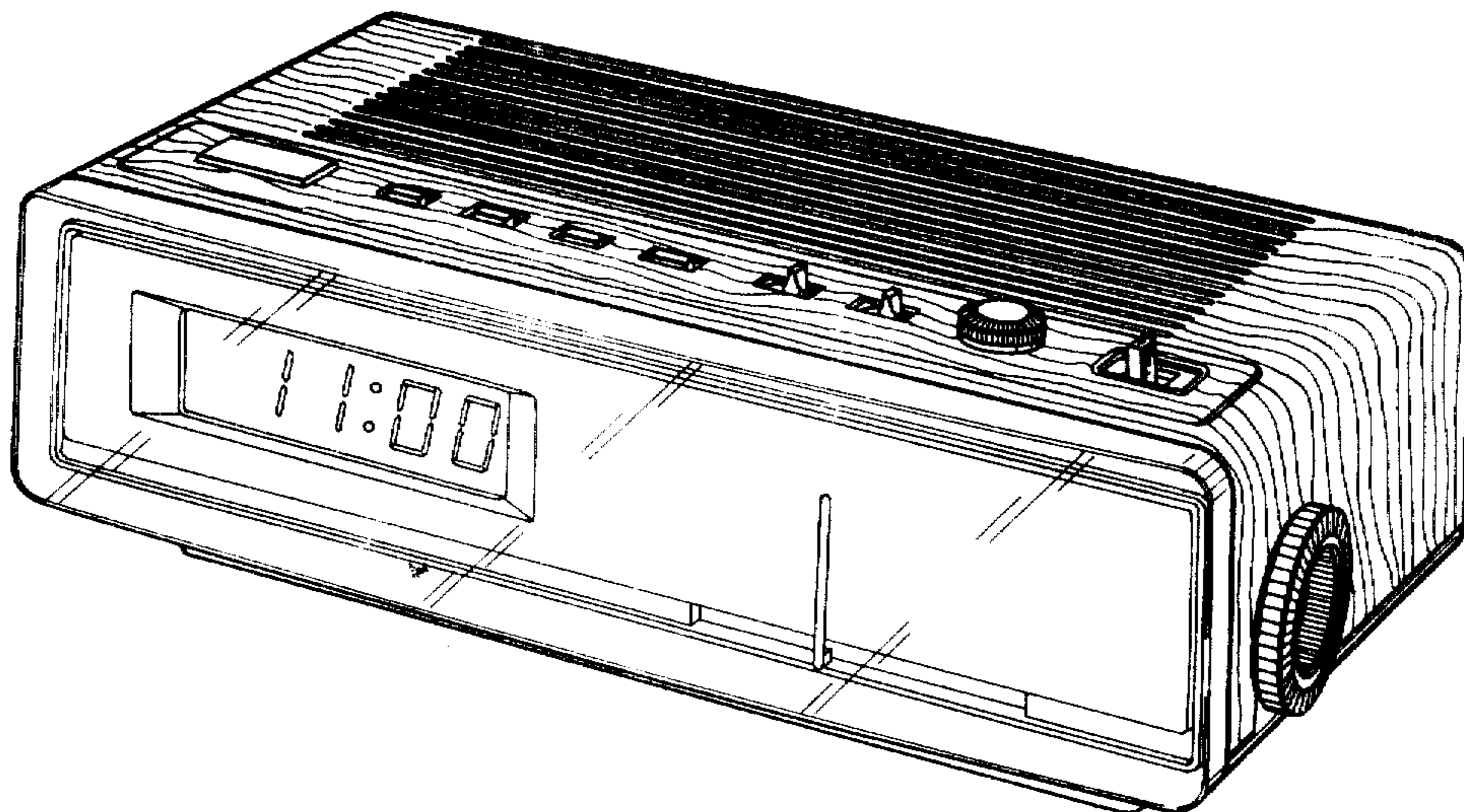


Fig. 2

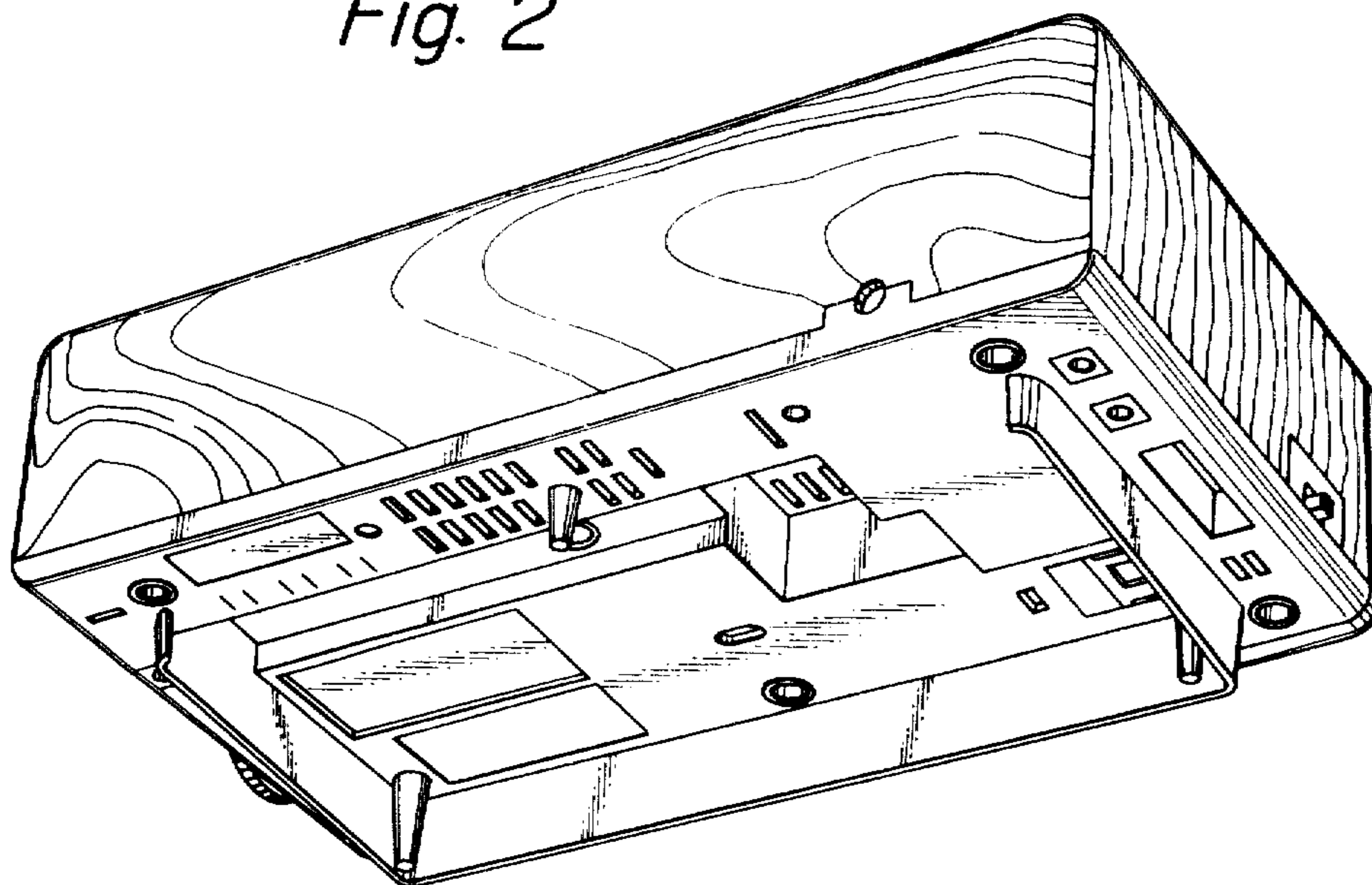


Fig. 3

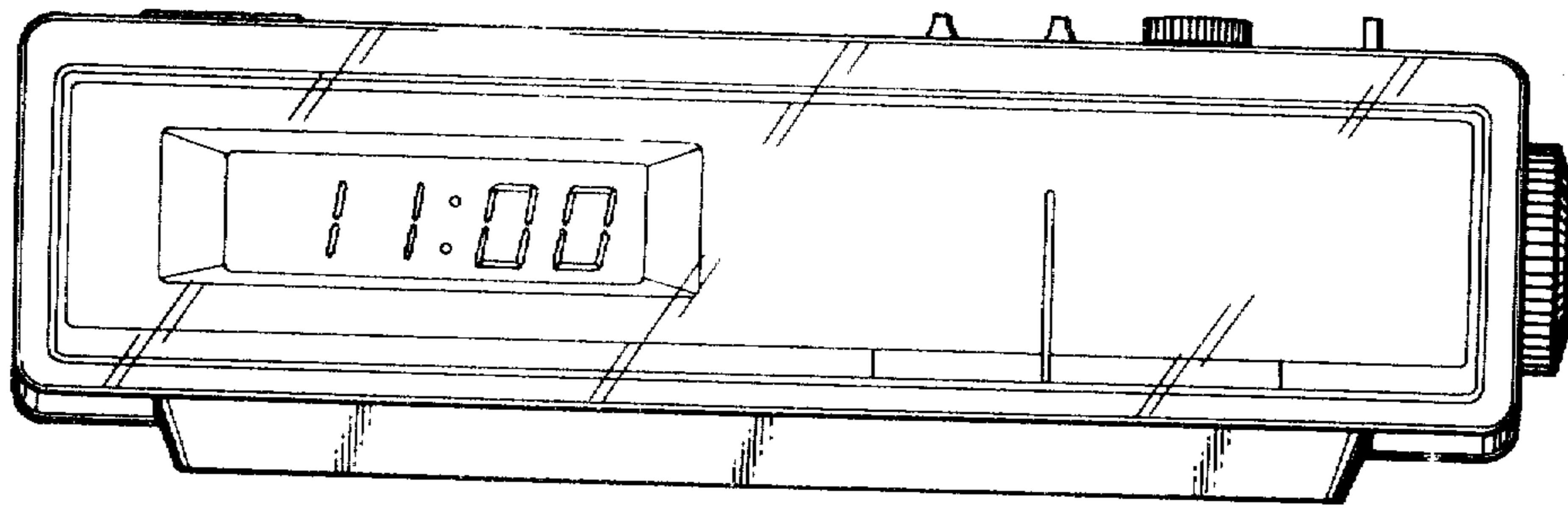


Fig. 4

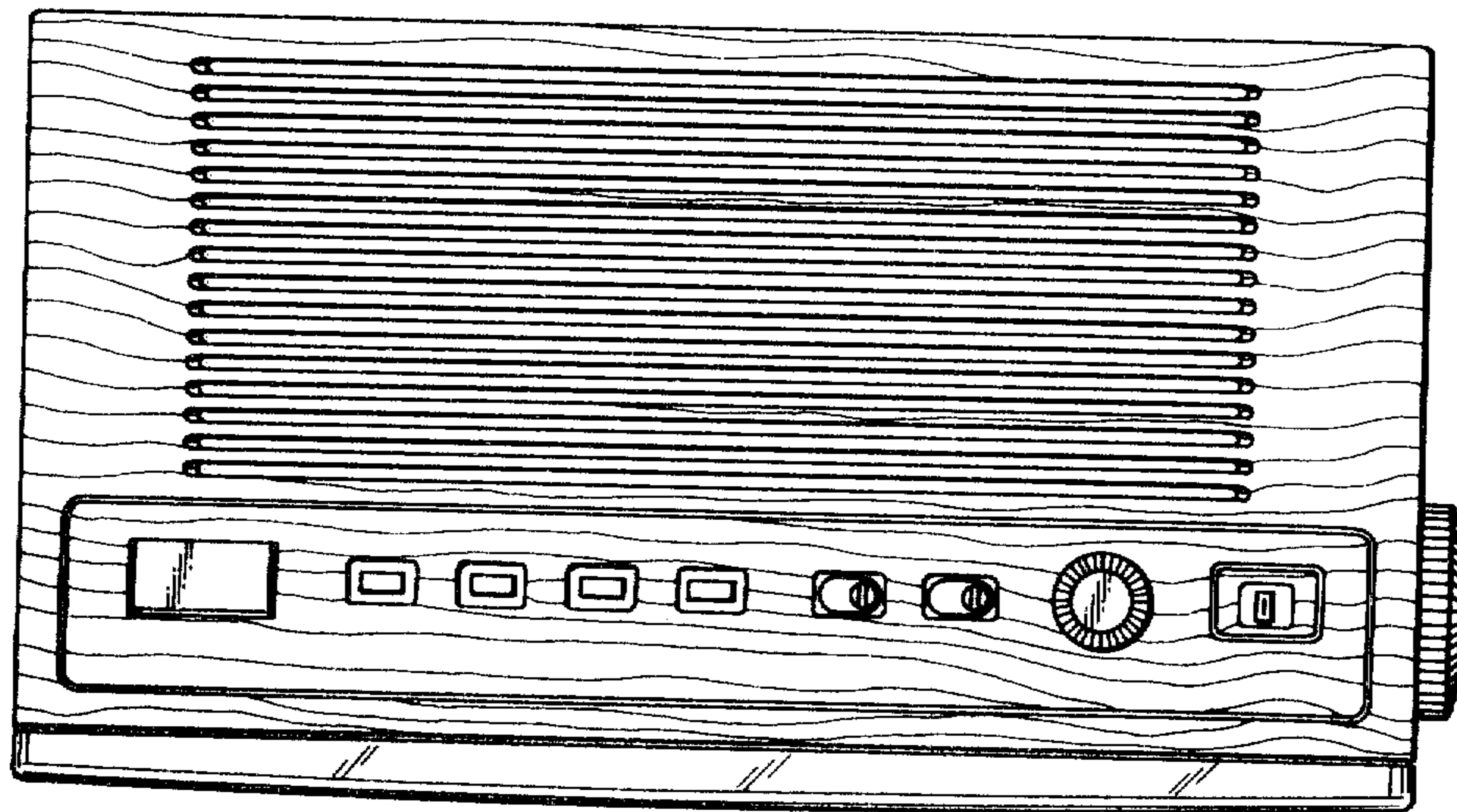


Fig. 5

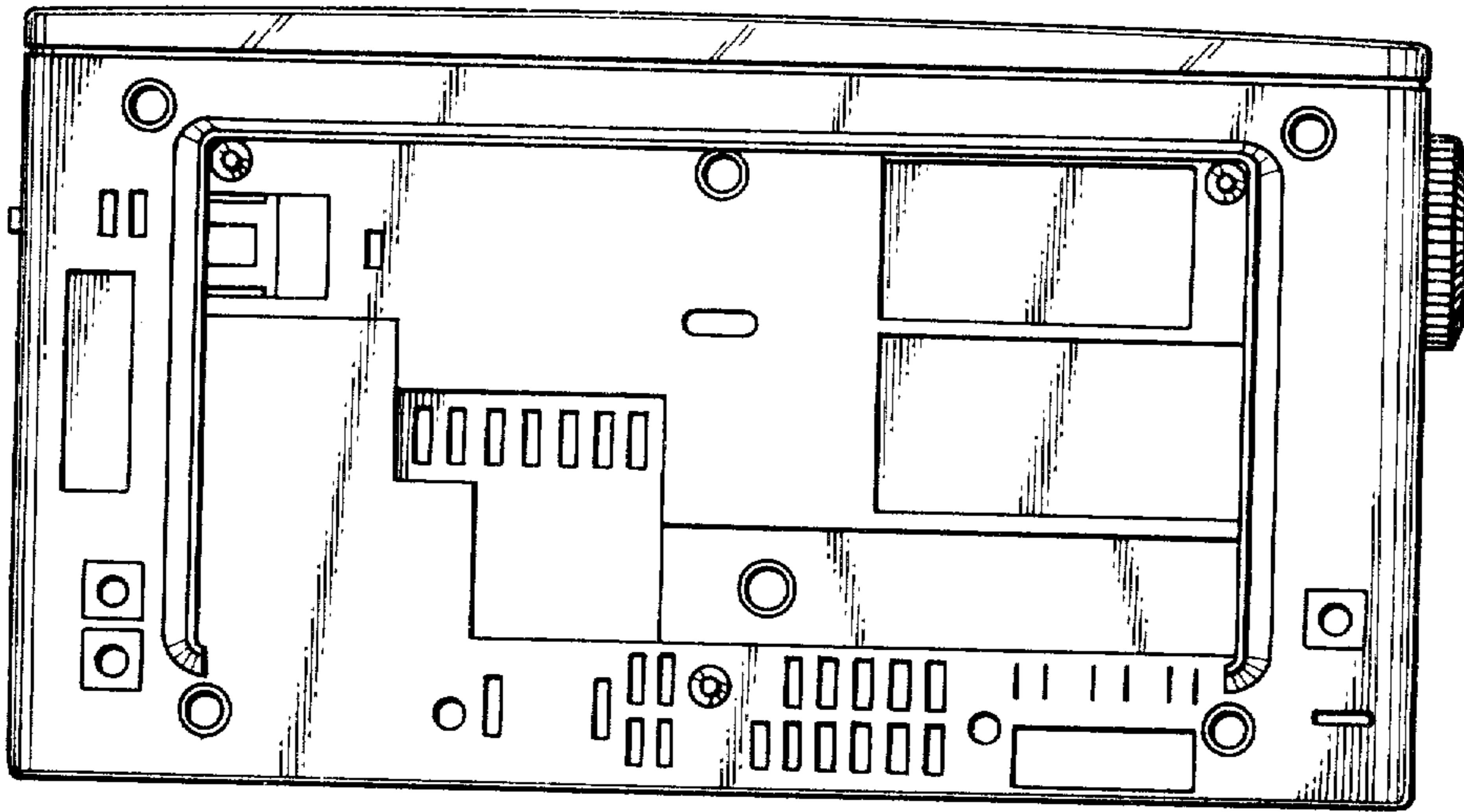


Fig. 6

