

[54] DIGITAL CLOCK RADIO

[75] Inventors: Benito Mishiro, Sakai; Takao Okada, Kyoto, both of Japan

[73] Assignee: Matsushita Electric Industrial Co., Ltd., Kadoma, Japan

[**] Term: 14 Years

[21] Appl. No.: 915,851

[22] Filed: Jun. 15, 1978

[30] Foreign Application Priority Data

Dec. 16, 1977 [JP] Japan 52-49811

[51] Int. Cl. D14-03

[52] U.S. Cl. D14/73; D10/2; D10/15

[58] Field of Search D14/1, 5, 39, 68, 71-76; D10/2, 15

[56] References Cited

U.S. PATENT DOCUMENTS

D. 228,247 8/1973 Ohta et al. D14/73

D. 228,515 10/1973 Watanabe D10/15

OTHER PUBLICATIONS

Housewares, 6-75, p. 18, bottom Clock.
Merchandising, 6-77, p. 99, Panasonic RC-6236 Clock Radio.
Radio Shack 1978 Cat., #289, p. 136, "Chronomatic-206" Clock Radio.

Primary Examiner—Jane E. Corrigan
Attorney, Agent, or Firm—Sughrue, Mion, Zinn, Macpeak and Seas

[57] CLAIM

The ornamental design for a digital clock radio, as shown.

DESCRIPTION

FIG. 1 is a front, top and right side perspective view of a digital clock radio showing our new design;
FIG. 2 is a rear, bottom and left side perspective view thereof;
FIG. 3 is a front elevational view thereof;
FIG. 4 is a top plan view thereof; and
FIG. 5 is a right side elevational view thereof.

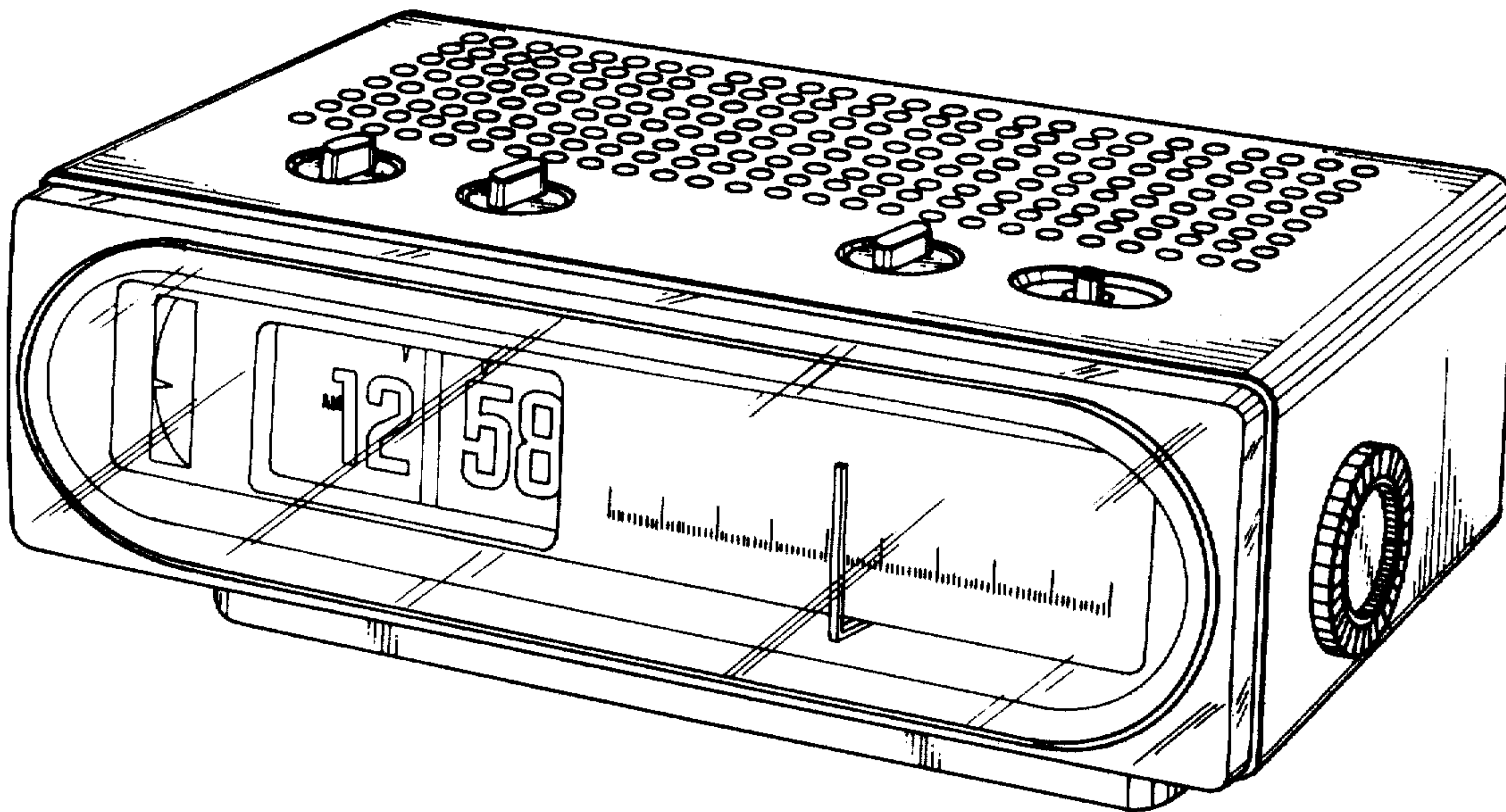


Fig. 1

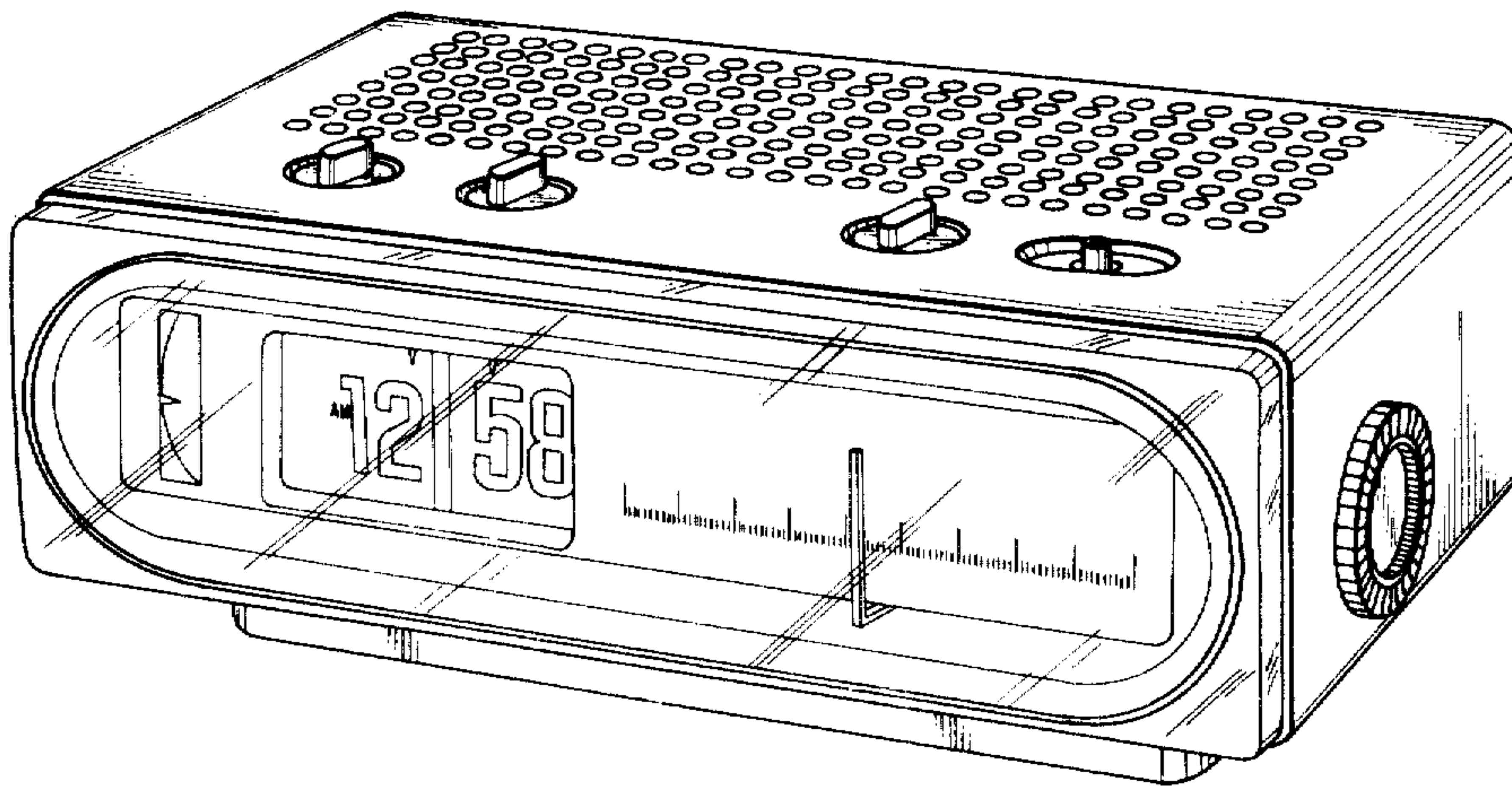


Fig. 2

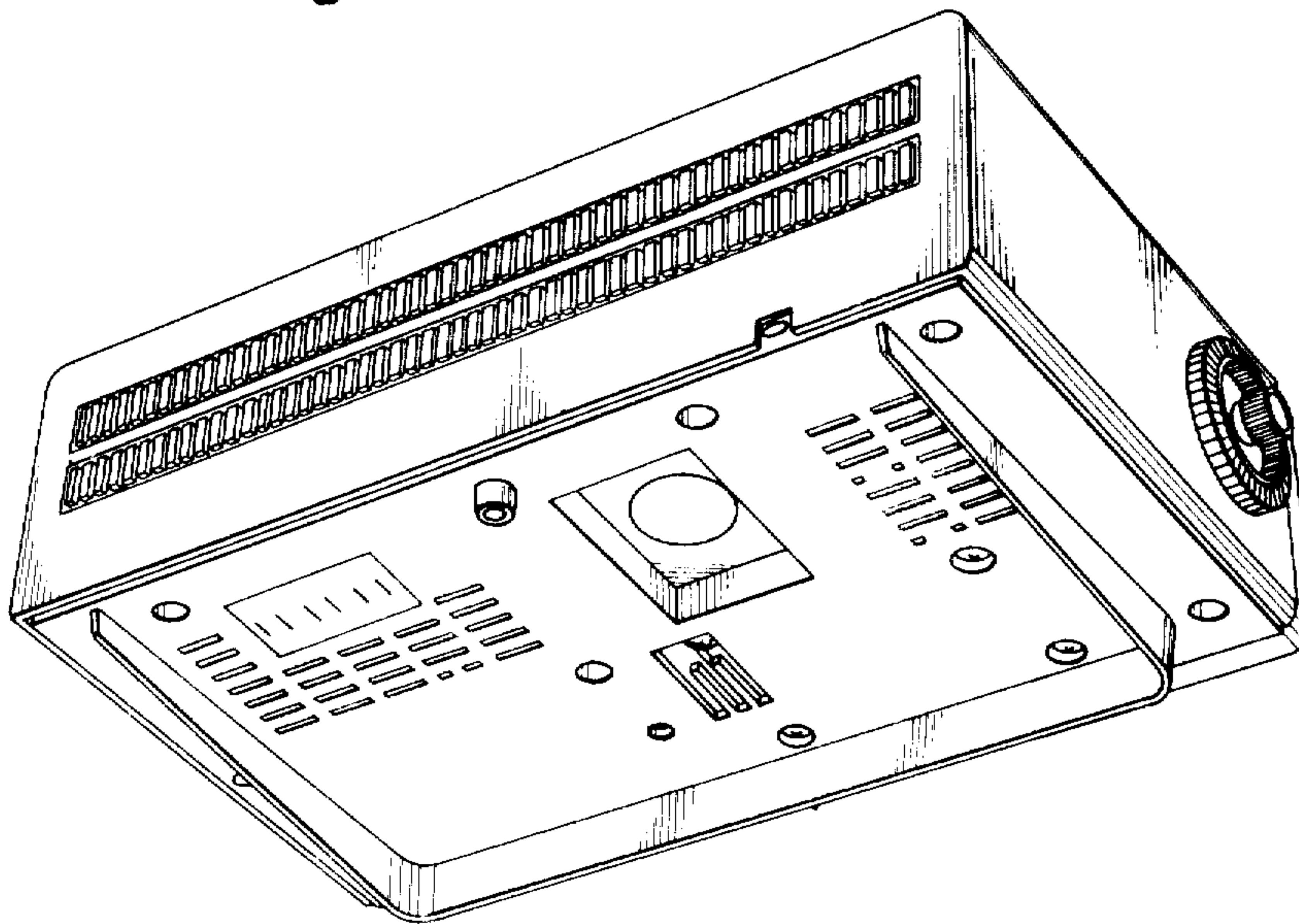


Fig. 3

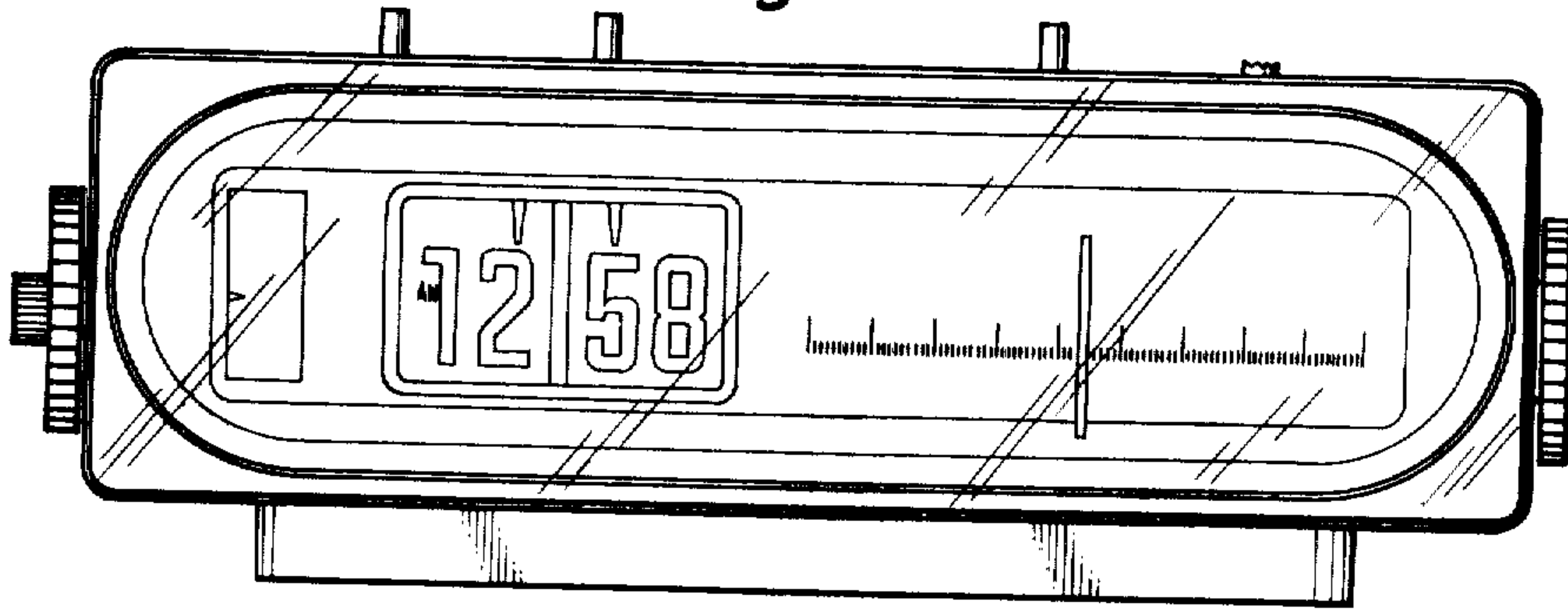


Fig. 4

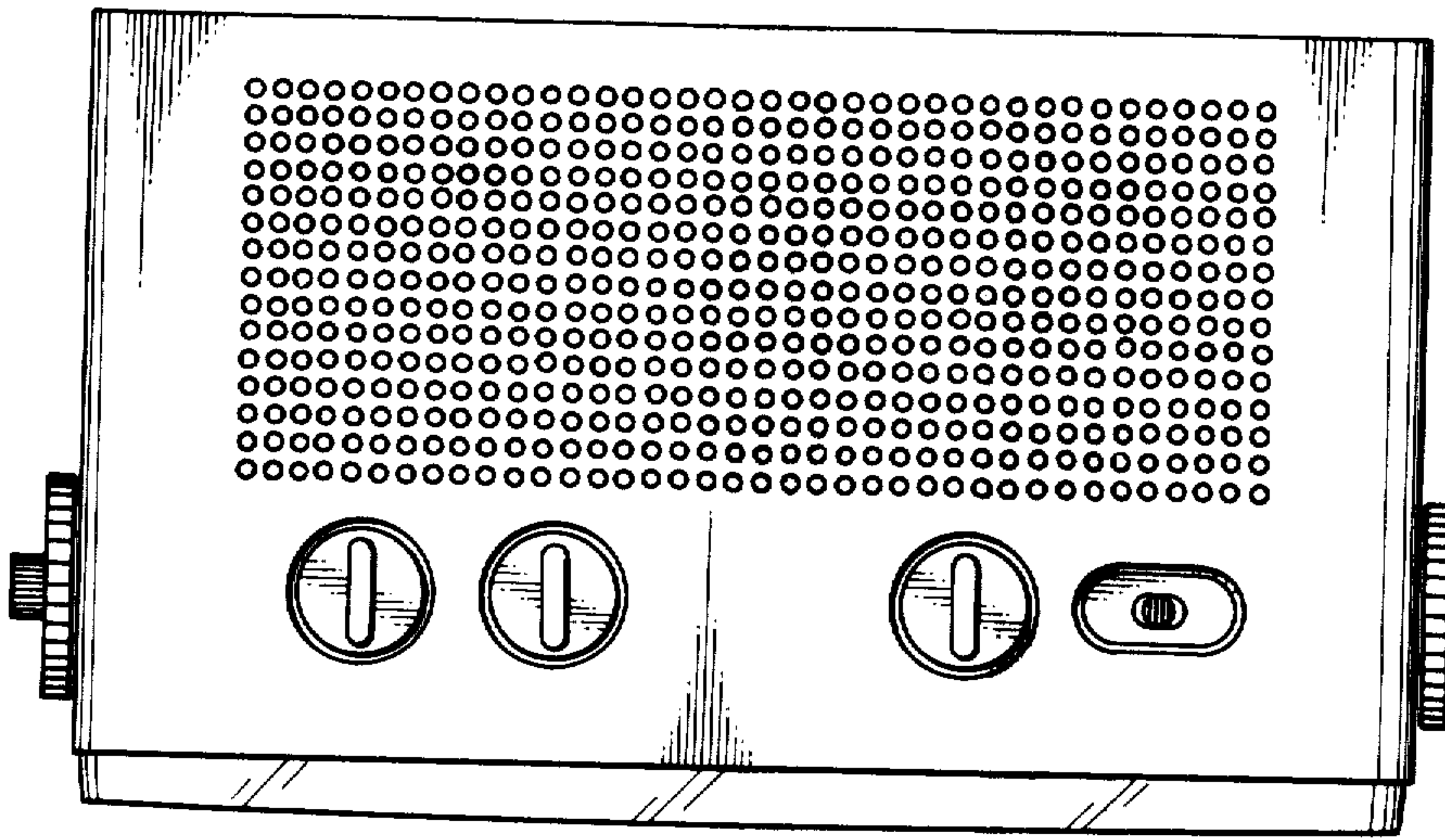


Fig. 5

