

[54] **REAR VIEW MIRROR**

[75] Inventor: **Alberto Vitaloni, Turin, Italy**  
[73] Assignee: **Vitaloni S.p.A., Beinasco, Italy**  
[\*\*] Term: **14 Years**  
[21] Appl. No.: **15,690**  
[22] Filed: **Feb. 27, 1979**

[30] **Foreign Application Priority Data**  
Sep. 28, 1978 [IT] Italy ..... 53735/78

[51] Int. Cl. .... **D12-16**  
[52] U.S. Cl. .... **D12/187**  
[58] Field of Search ..... **D12/187, 188; 350/307, 350/288**

[56] **References Cited**  
**U.S. PATENT DOCUMENTS**  
4,168,635 9/1979 Savidan ..... 350/288

**FOREIGN PATENT DOCUMENTS**  
2838520 3/1979 Fed. Rep. of Germany ..... 350/288

**OTHER PUBLICATIONS**  
Popular Science, 9/77, p. 105, Rear View Mirror, top center of page.

*Primary Examiner*—James M. Gandy  
*Attorney, Agent, or Firm*—Sughrue, Mion, Zinn, Macpeak and Seas

[57] **CLAIM**  
The ornamental design for a rear view mirror, as shown.

**DESCRIPTION**  
FIG. 1 is a front elevational view of a rear view mirror showing my new design;  
FIG. 2 is a top plan view thereof;  
FIG. 3 is a left side elevational view thereof;  
FIG. 4 is a right side elevational view thereof; and  
FIG. 5 is a rear elevational view thereof.

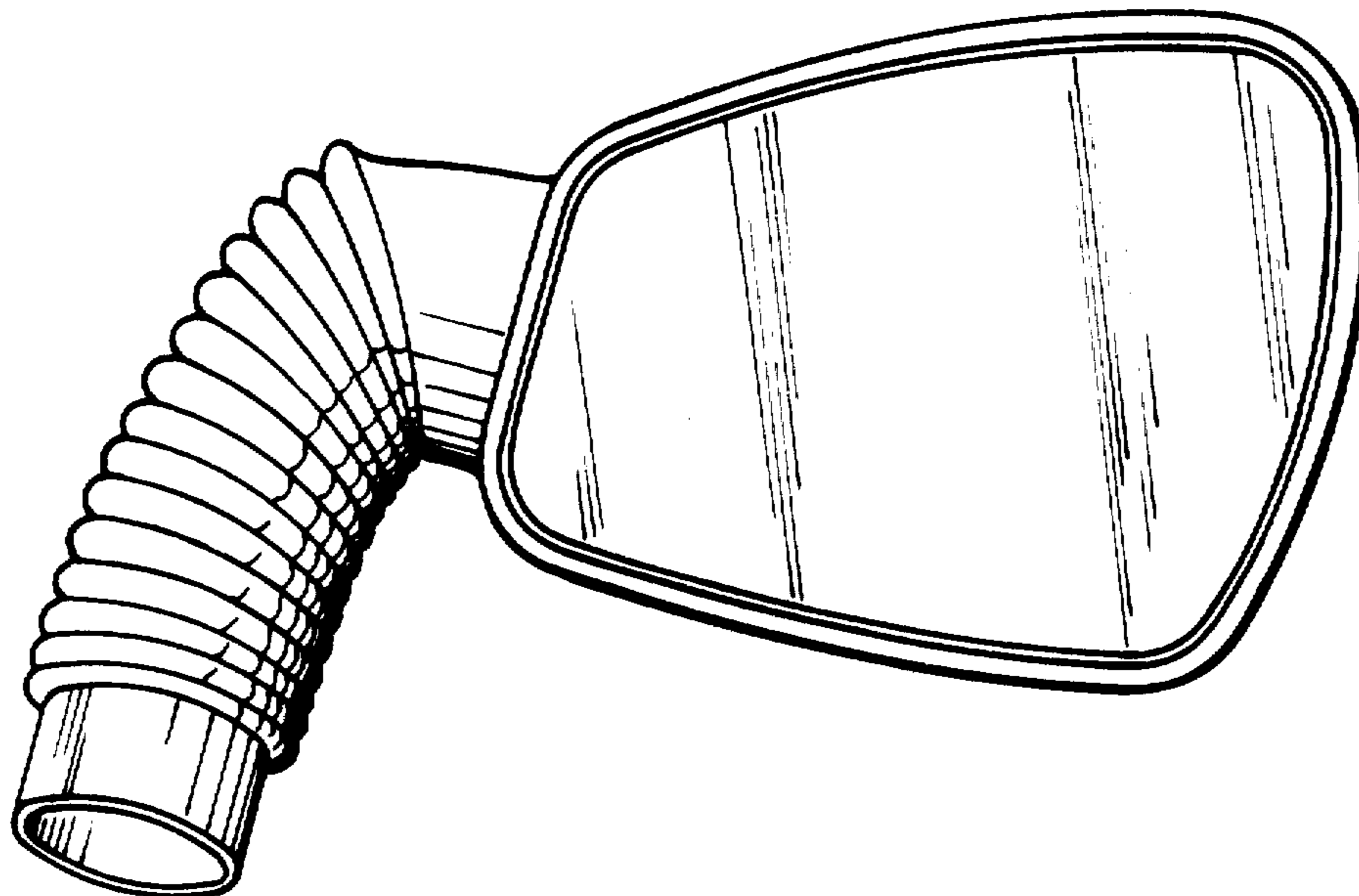


FIG. 1

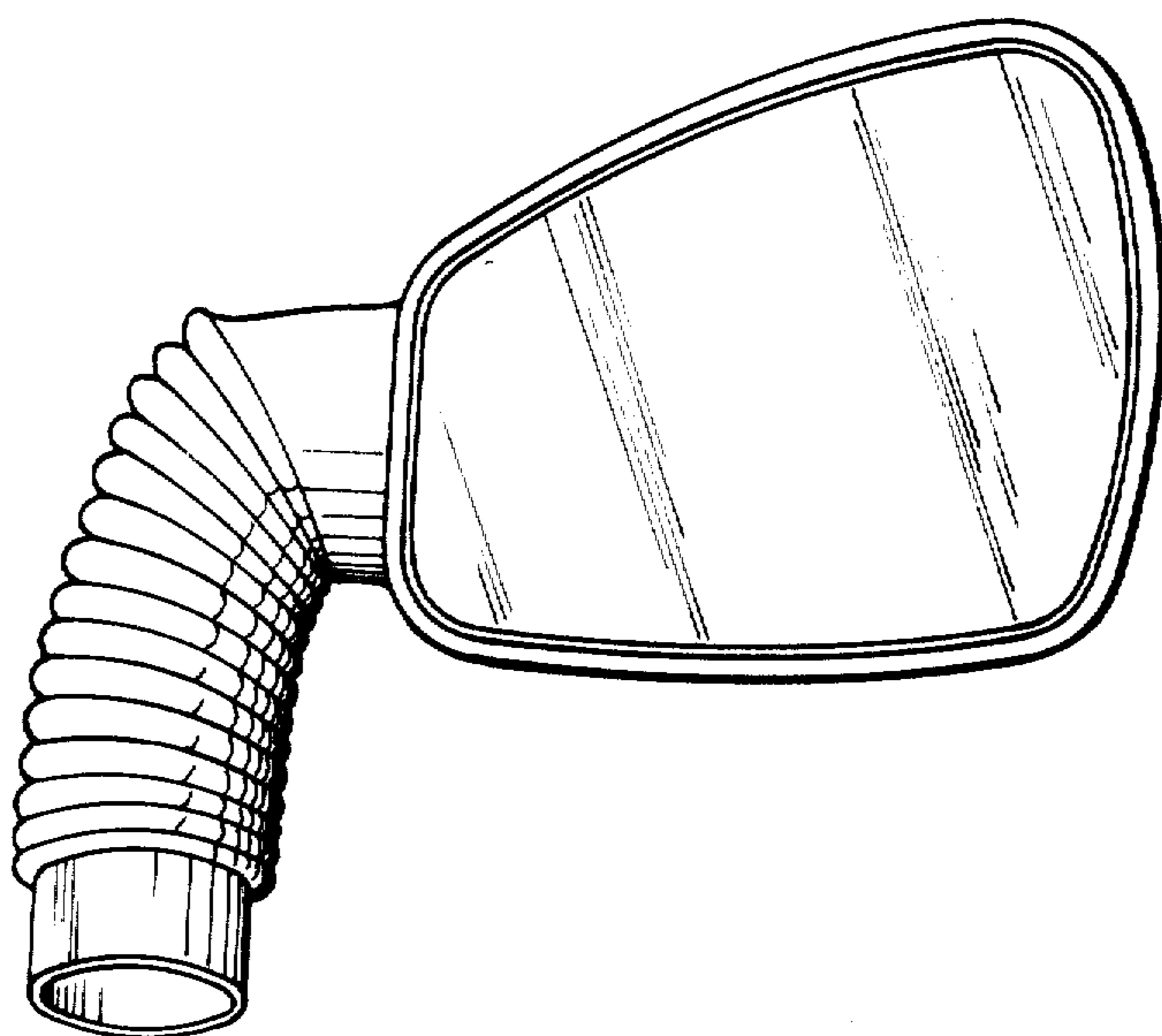


FIG. 2

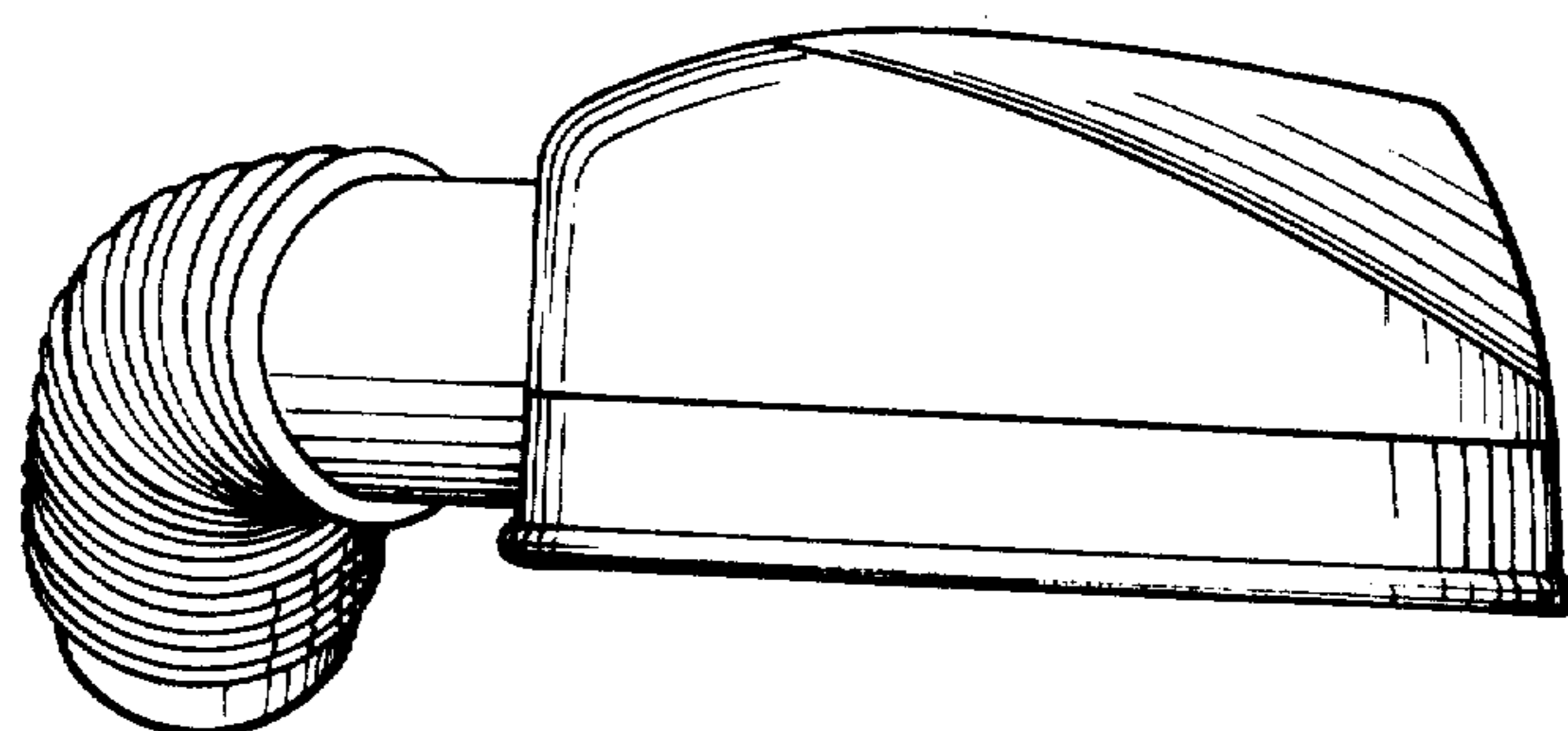


FIG. 3

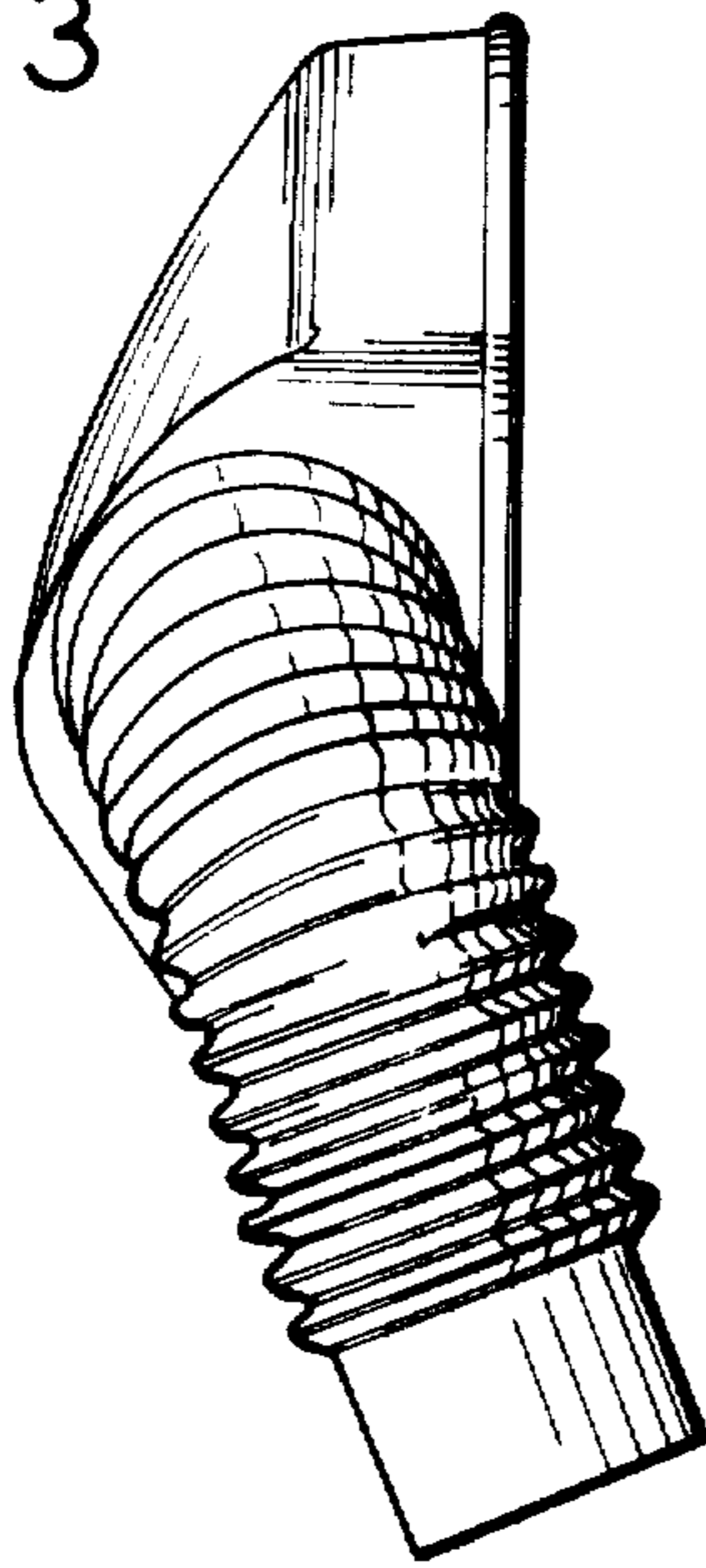


FIG. 4

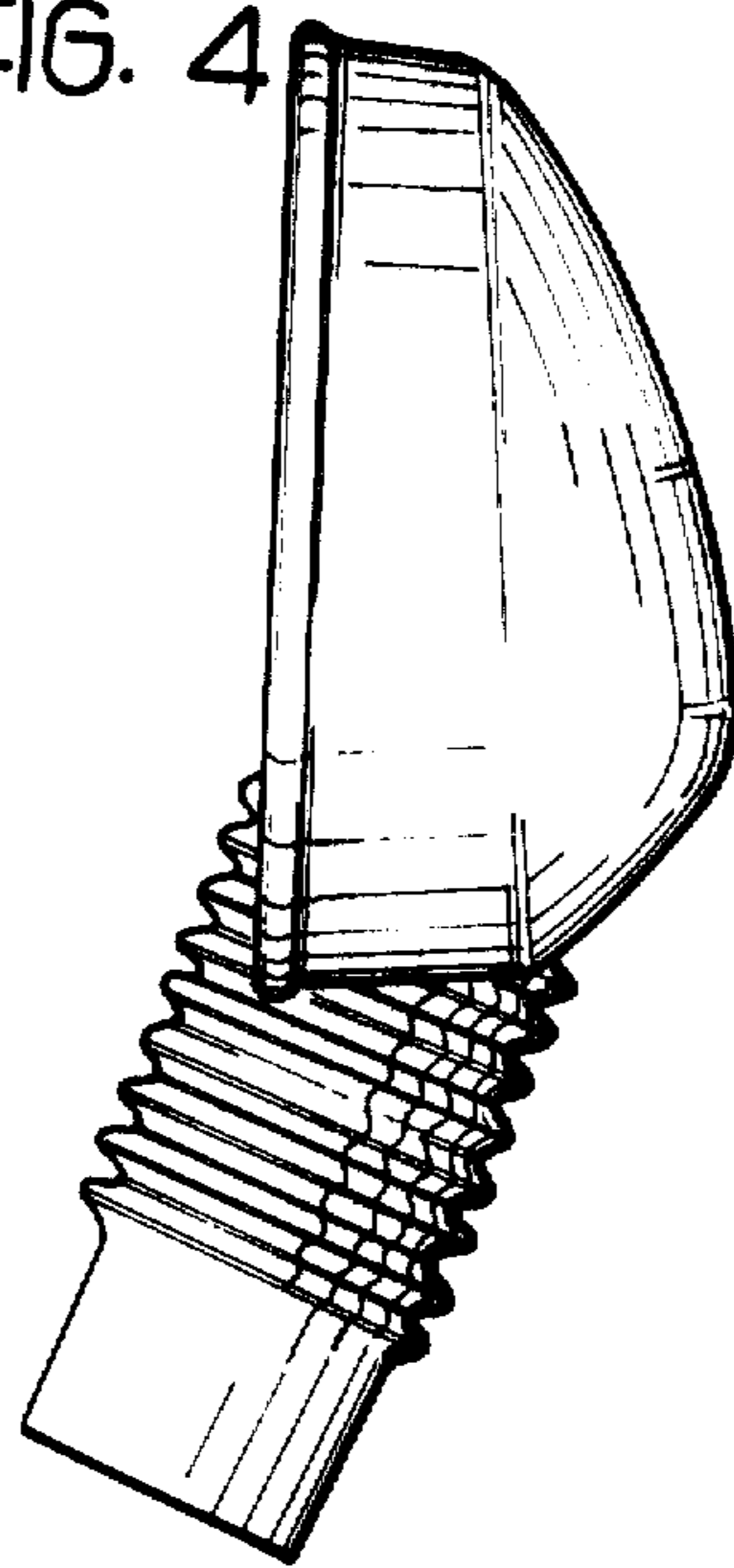


FIG. 5

