

[54] **GOLF CLUB BAG CARRIER**

[76] Inventor: **Auborn R. Hampton**, 1307 Garth Ave., SW., Decatur, Ala. 35601

[**] Term: **14 Years**

[21] Appl. No.: **85,495**

[22] Filed: **Oct. 17, 1979**

[51] Int. Cl. **D12-02**
[52] U.S. Cl. **D34/15; 280/DIG. 6**
[58] Field of Search **D12/23; 280/DIG. 6**

[56] **References Cited**

U.S. PATENT DOCUMENTS

2,753,189 7/1956 Conroy et al. 280/DIG. 6
4,062,564 12/1977 Schimmeyer 280/DIG. 6

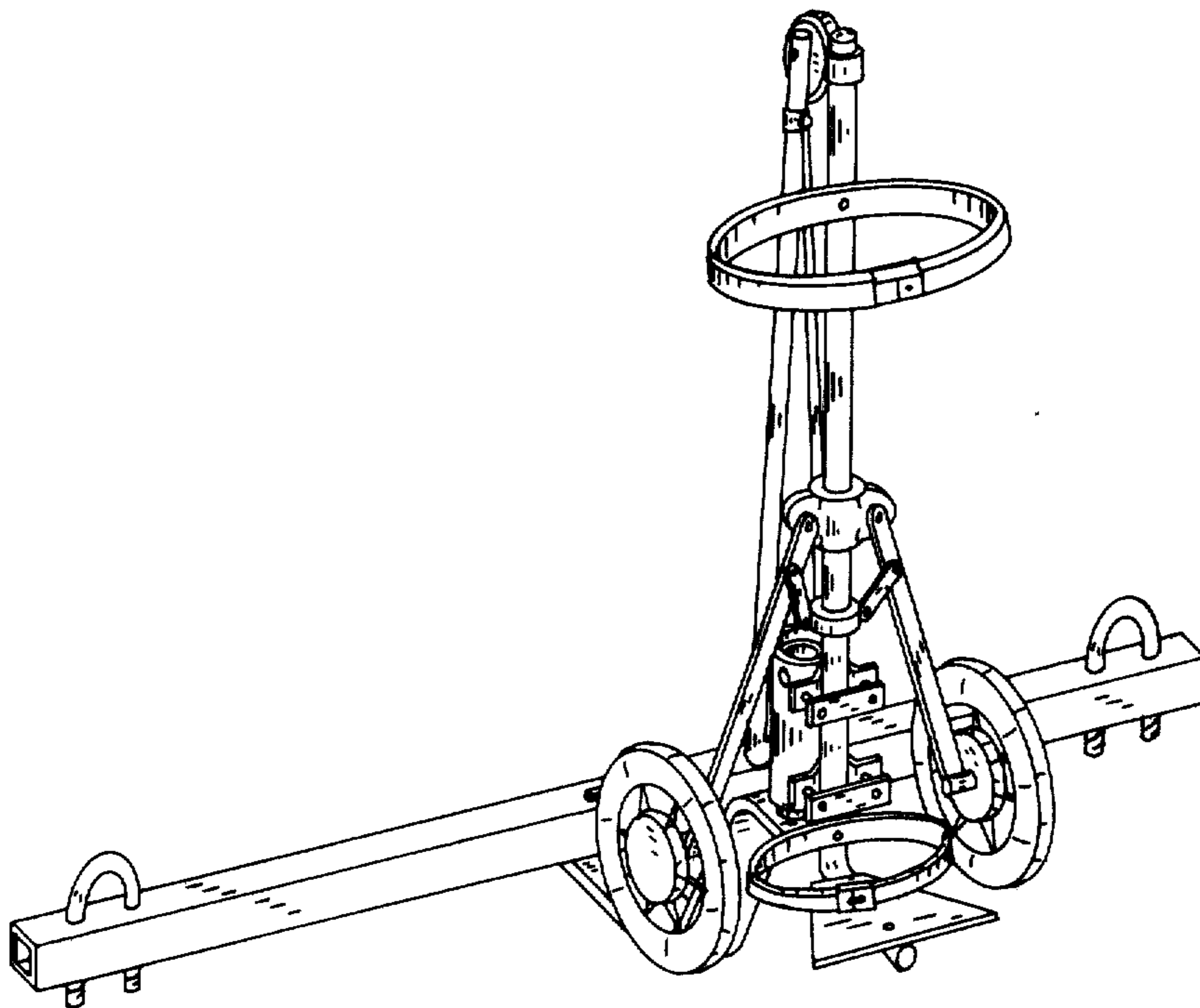
Primary Examiner—James M. Gandy
Attorney, Agent, or Firm—C. A. Phillips

[57] **CLAIM**

The ornamental design for a golf club bag carrier, substantially as shown and described.

DESCRIPTION

FIG. 1 is a front perspective view of a golf club bag carrier showing my new design; and FIG. 2 is a rear perspective view thereof.



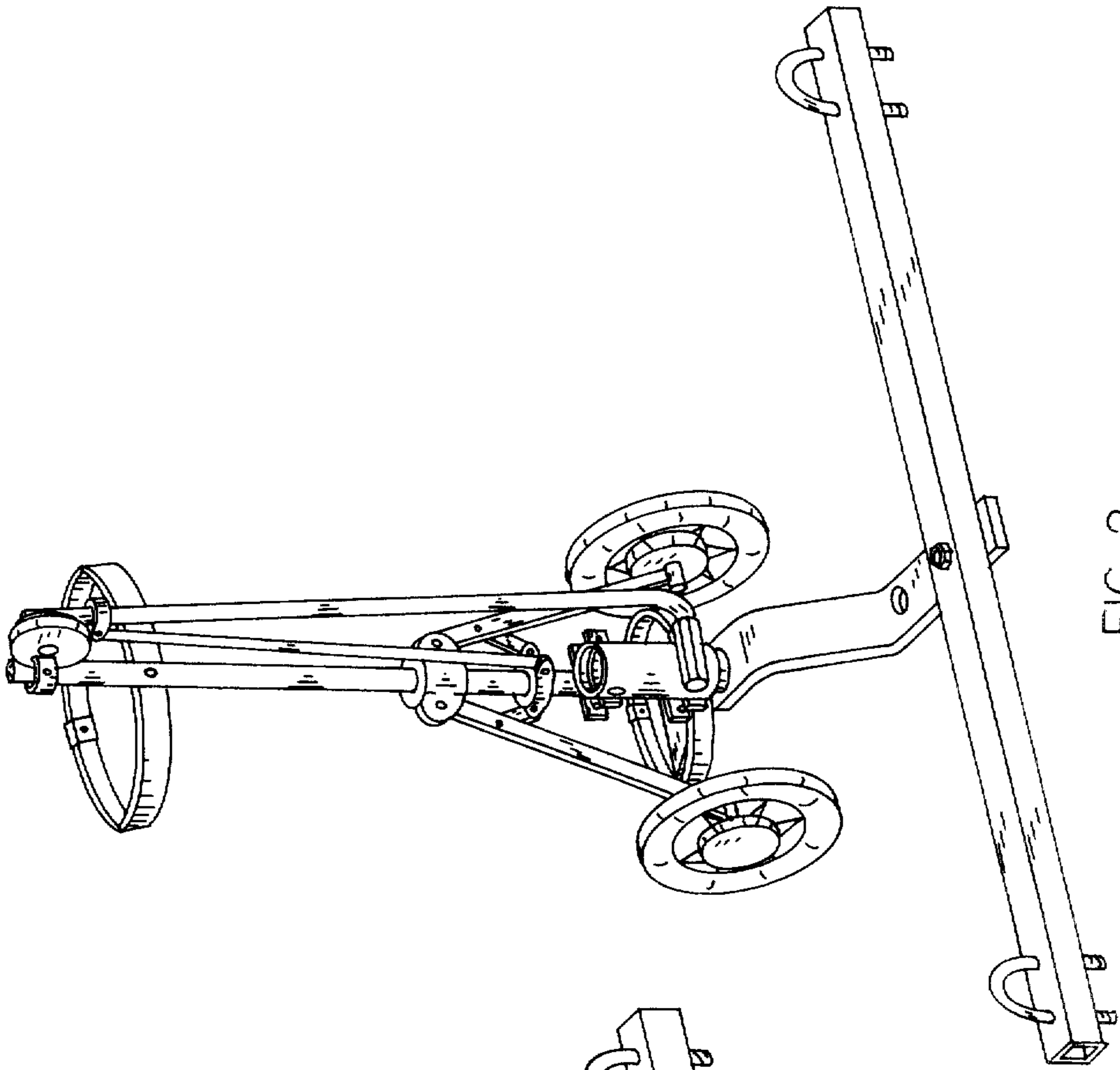


FIG. 2

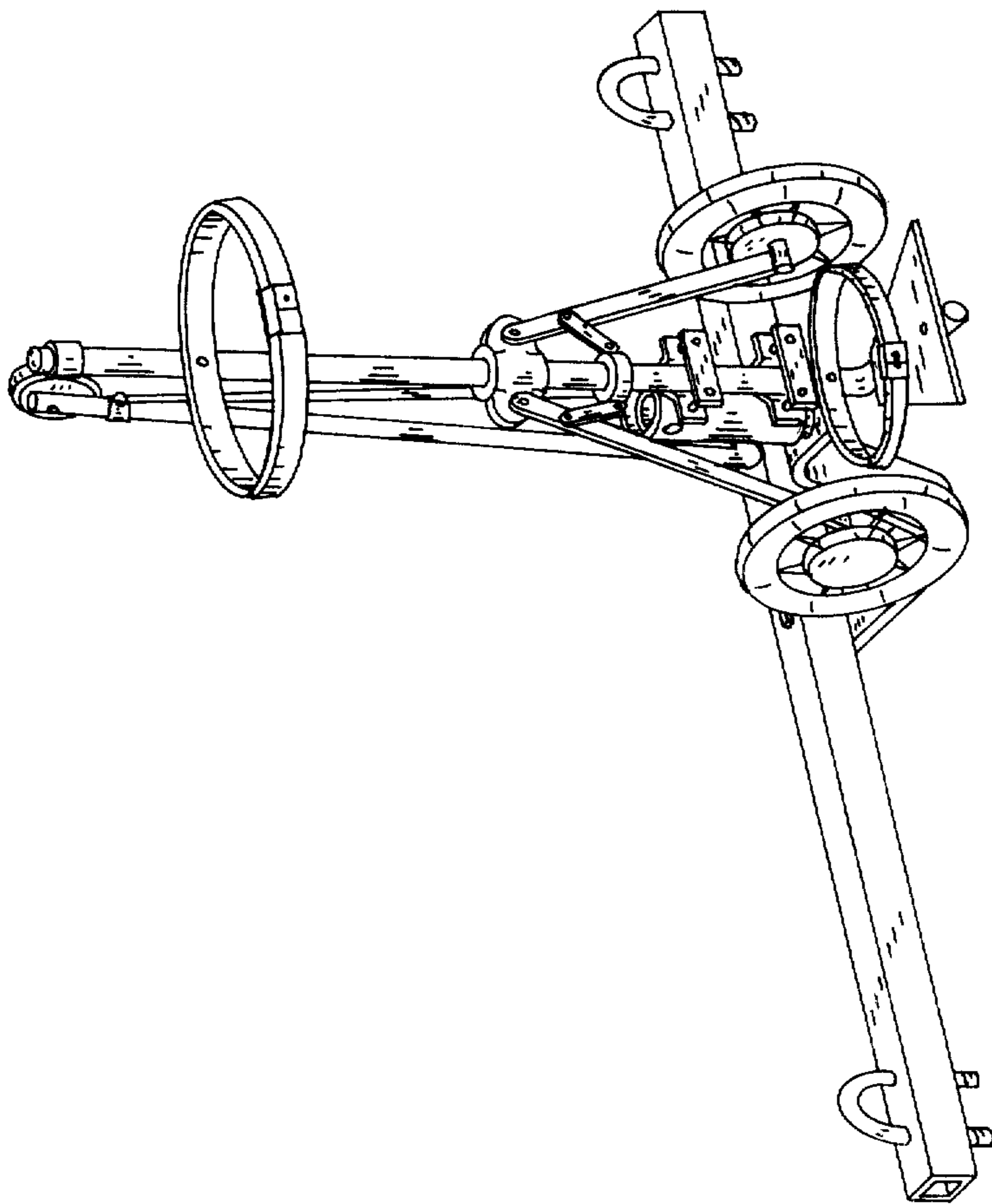


FIG. 1