

[54] PLANT SUPPORT

[76] Inventor: William M. Boyajian, 269 Huron Ave., Cambridge, Mass. 02138

[*] Notice: The portion of the term of this patent subsequent to Apr. 10, 1993, has been disclaimed.

[**] Term: 14 Years

[21] Appl. No.: 925,446

[22] Filed: Jul. 17, 1978

Related U.S. Application Data

[63] Continuation-in-part of Ser. No. 809,283, Jun. 23, 1977, Pat. No. Des. 251,524.

[51] Int. Cl. D6-04

[52] U.S. Cl. D6/135; D6/137

[58] Field of Search D6/85, 114, 116, 132, D6/133, 136, 180, 182, 183, 186, 135; D7/196; 47/39, 40; 211/90, 126, 134, 135; 108/59, 106-110, 152

[56] References Cited

U.S. PATENT DOCUMENTS

149,335 4/1874 Porter et al. D7/196
D. 251,524 4/1979 Boyajian D6/137

Primary Examiner—B. J. Bullock

[57] CLAIM

The ornamental design for a plant support, as shown and described.

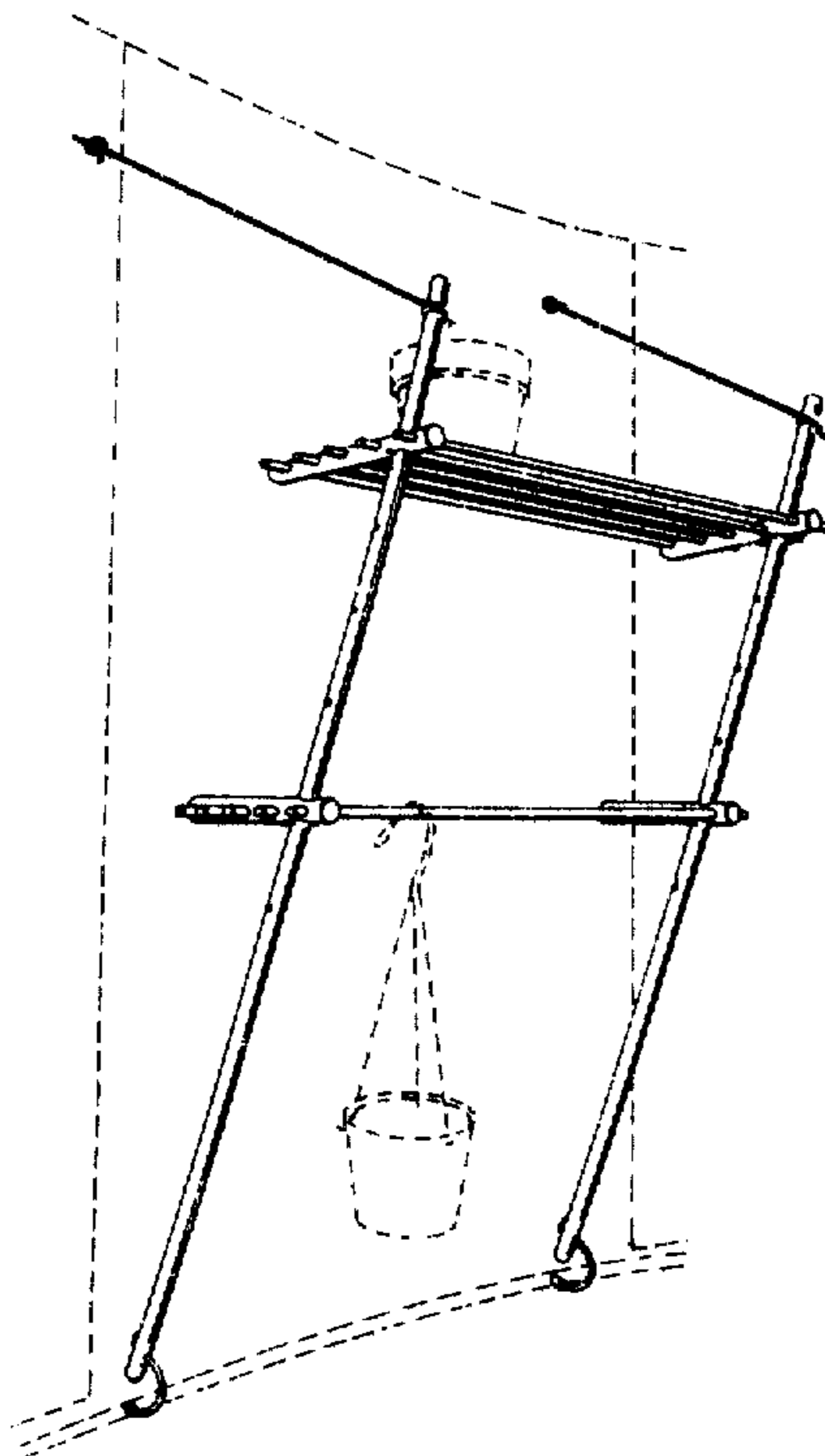
DESCRIPTION

FIG. 1 is a reduced perspective view of the plant support showing my new design, the window and flower pots being shown in broken lines for illustrative purposes only;

FIG. 2 is a side elevational view thereof;

FIG. 3 is a front elevational view thereof; and

FIG. 4 is a top plan view thereof.



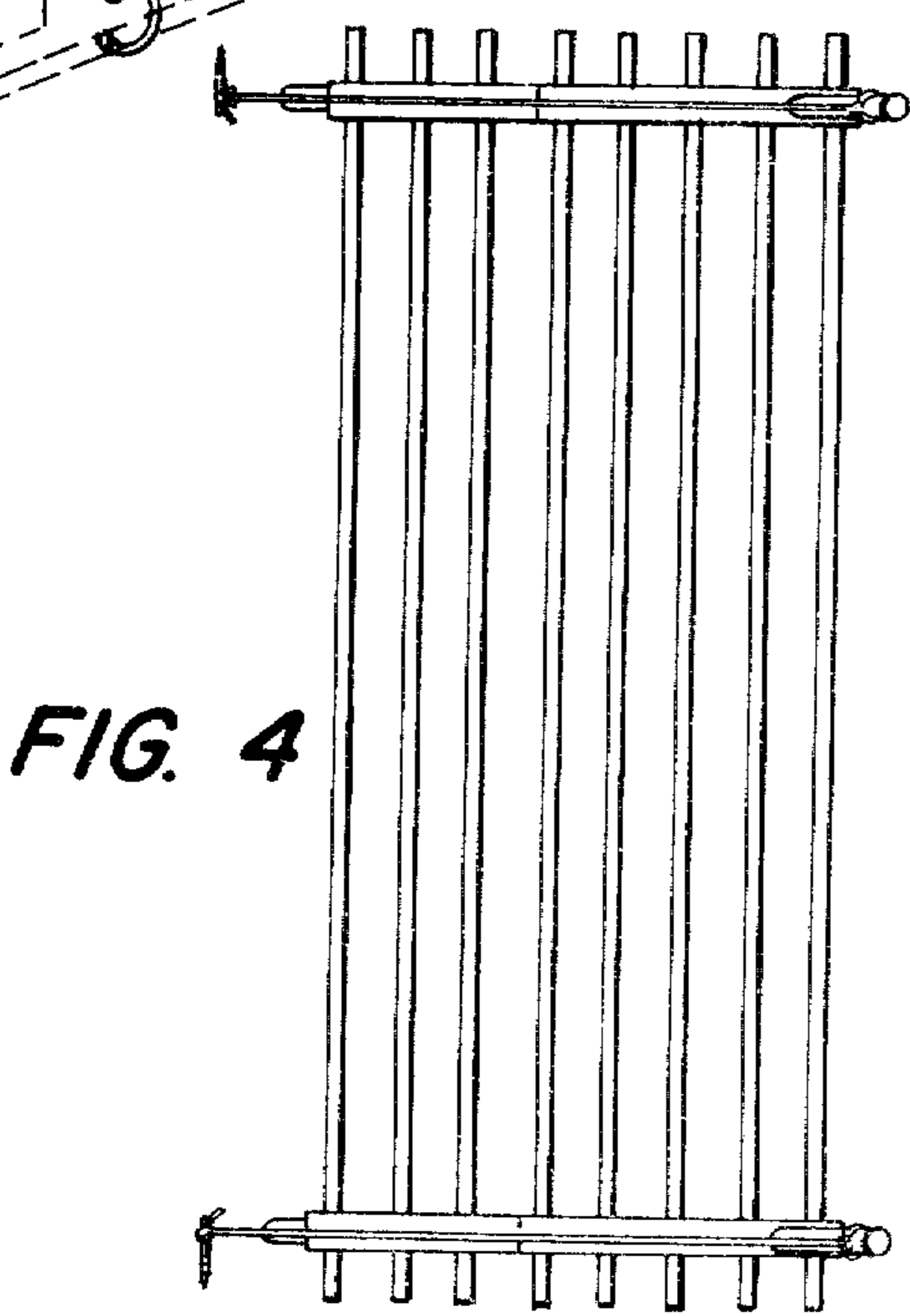
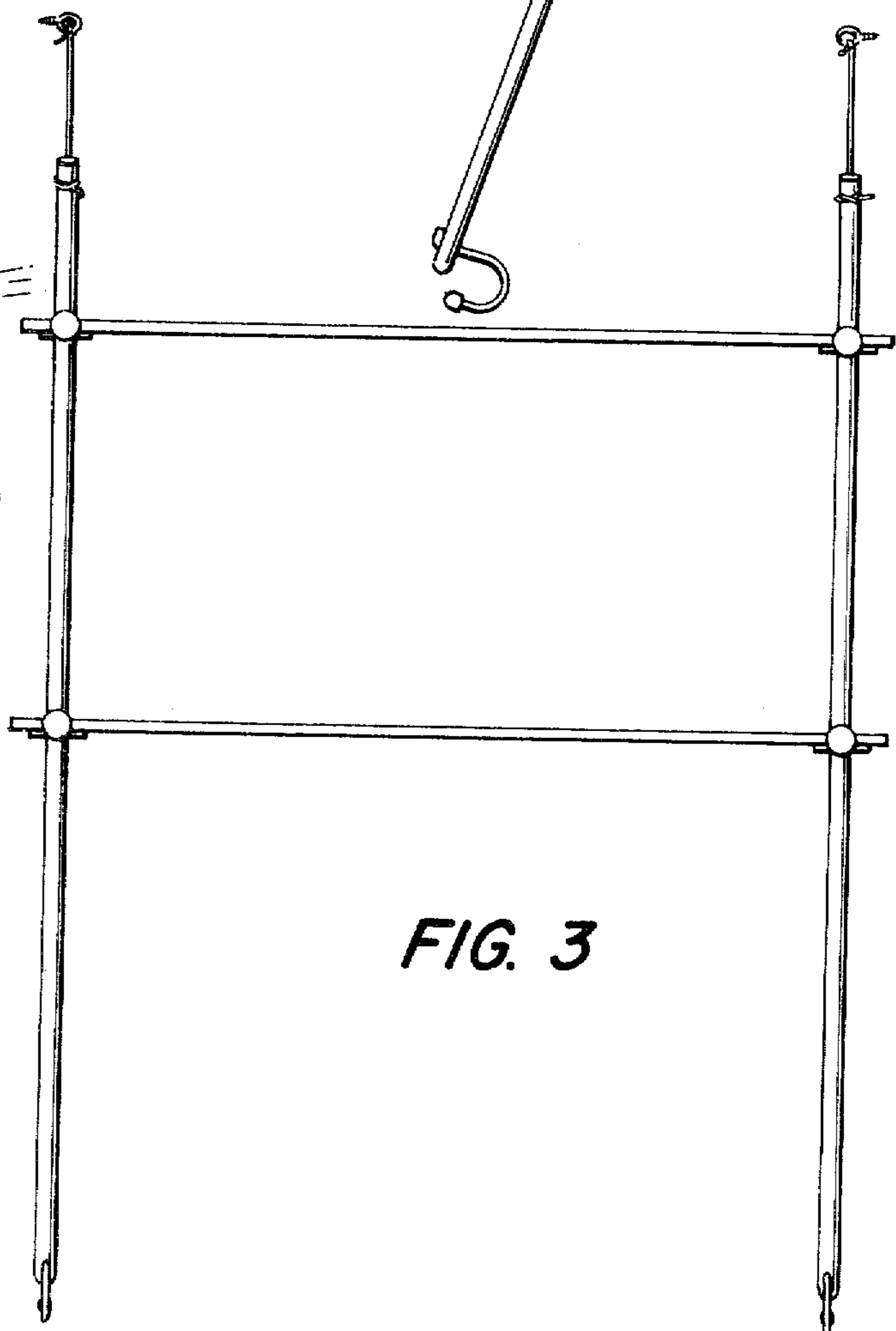
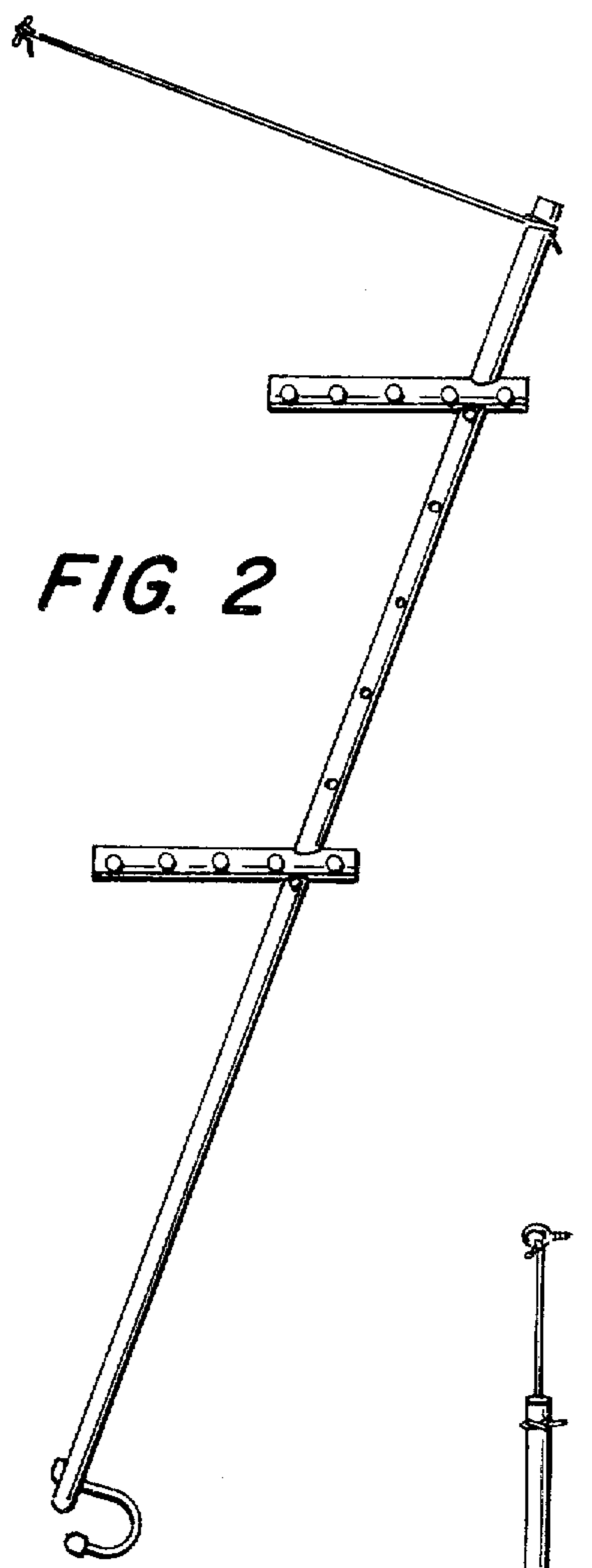
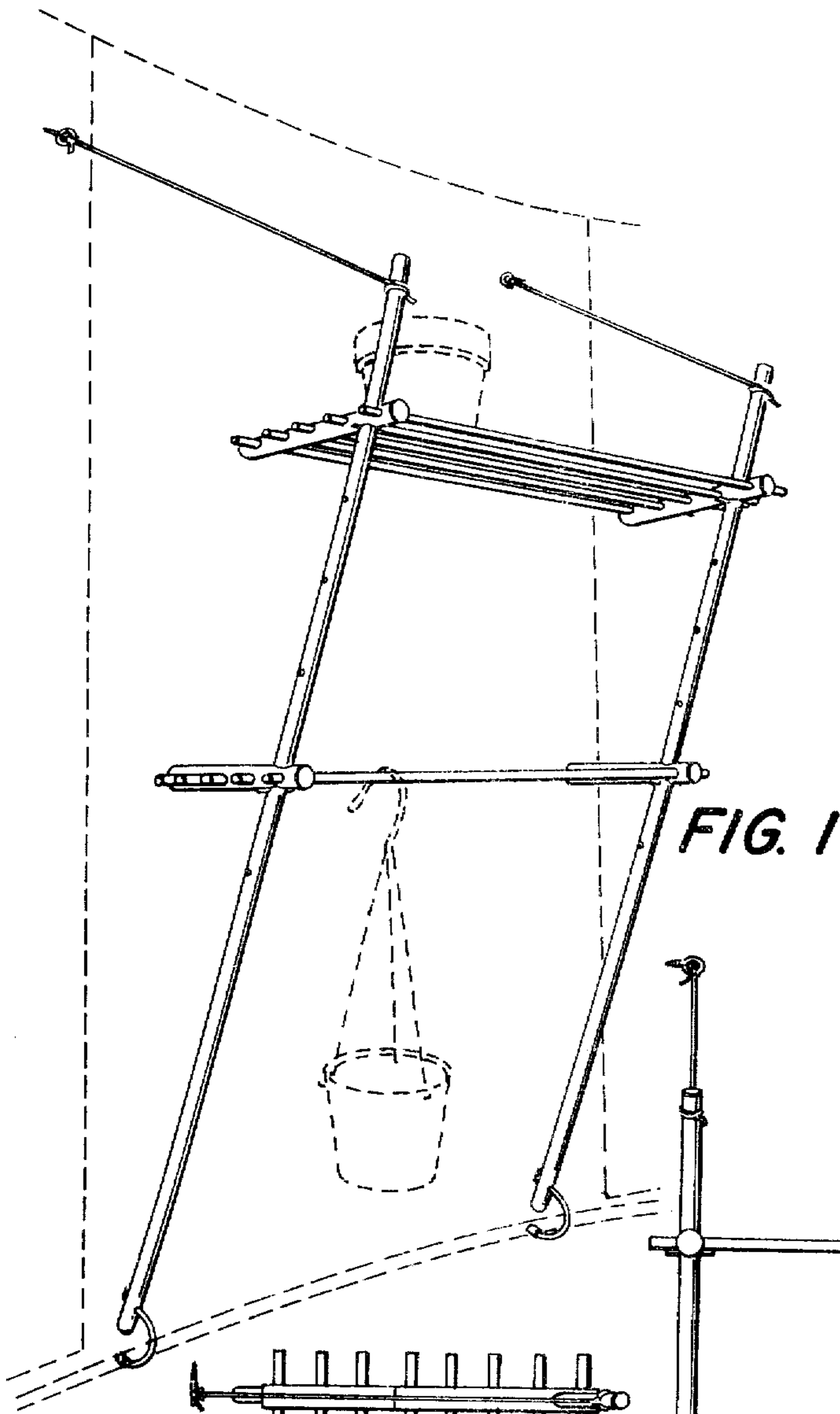


FIG. 1

FIG. 2

FIG. 3

FIG. 4