

[54] **CAPACITIVE PICKUP CLIP OR SIMILAR ARTICLE**
 [75] Inventor: DeWayne J. Shumway, Fruita, Colo.
 [73] Assignee: Dixon, Inc., Grand Junction, Colo.
 [**] Term: 14 Years
 [21] Appl. No.: 89,376
 [22] Filed: Oct. 30, 1979

[51] Int. Cl. D10-04
 [52] U.S. Cl. D10/80; D10/79
 [58] Field of Search D10/79, 80; D13/24;
 324/126, 127, 129, 149, 117 R, 402; 336/65-66,
 84, 90, 92, 175-176; 335/46, 104, 193, 241, 251

[56] **References Cited**
U.S. PATENT DOCUMENTS

D. 249,876 10/1978 Maxwell D10/79
 D. 254,536 3/1980 Davis D10/79
 3,477,024 11/1969 Pelta 324/126
 4,005,380 1/1977 Heilmann 324/127 X

4,234,863 11/1980 Shumway 336/90

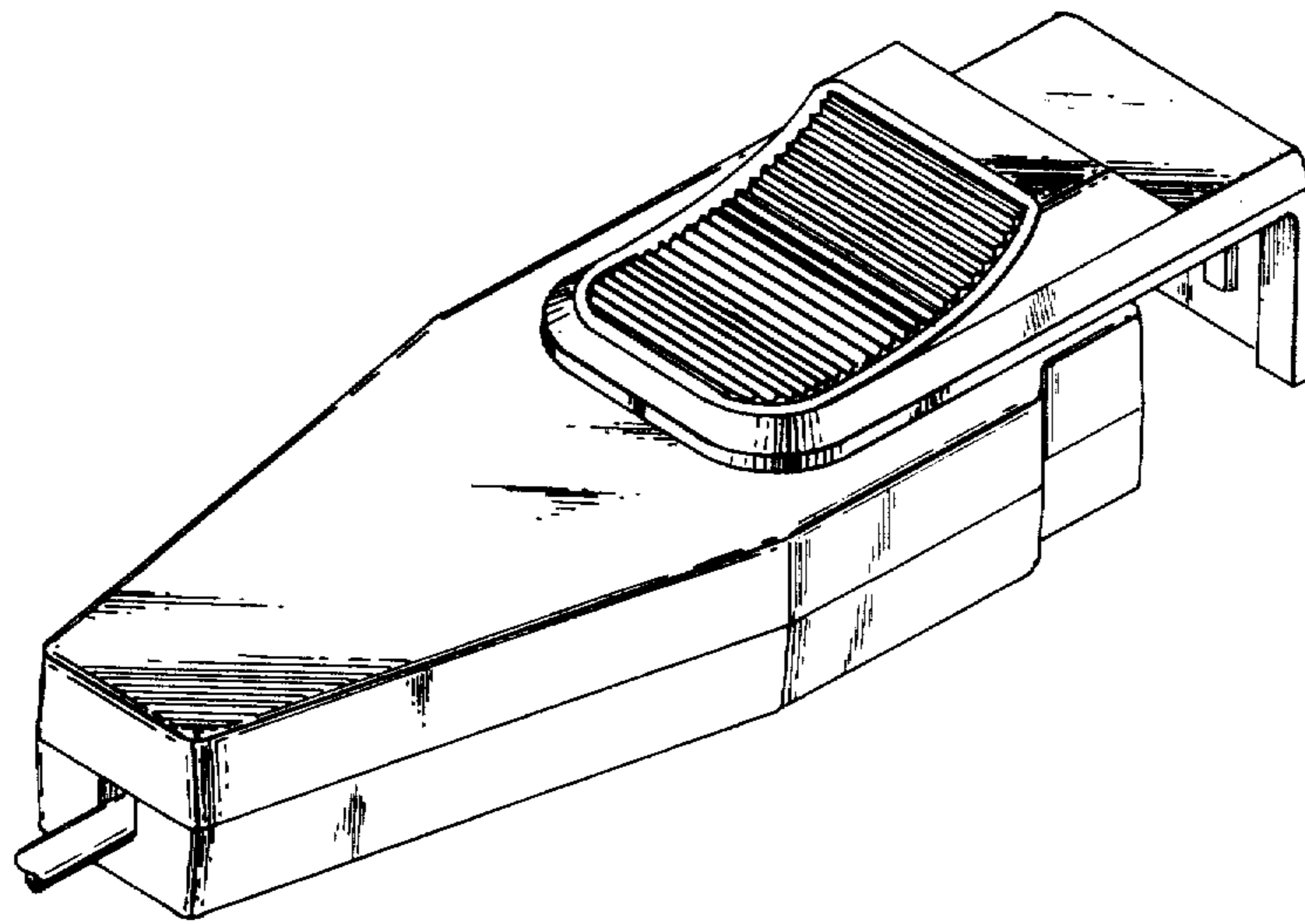
Primary Examiner—Nelson C. Holtje
Attorney, Agent, or Firm—Gregory W. Moravan; Roy E. Mattern, Jr.; David H. Deits

[57] **CLAIM**

The ornamental design for a capacitive pickup clip or similar article, as shown and described.

DESCRIPTION

FIG. 1 is a front and bottom right perspective view of a capacitive pickup clip or similar article showing my new design in the closed position;
 FIG. 2 is a front and bottom right perspective view thereof in an open position;
 FIG. 3 is a left side elevational view of FIG. 1;
 FIG. 4 is a left side elevational view of FIG. 2;
 FIG. 5 is a bottom end view thereof;
 FIG. 6 is a rear elevational view of FIG. 1;
 FIG. 7 is a rear elevational view of FIG. 2;
 FIG. 8 is a top end view thereof;
 FIG. 9 is a front elevational view of FIG. 1;
 FIG. 10 is a front elevational view of FIG. 2.



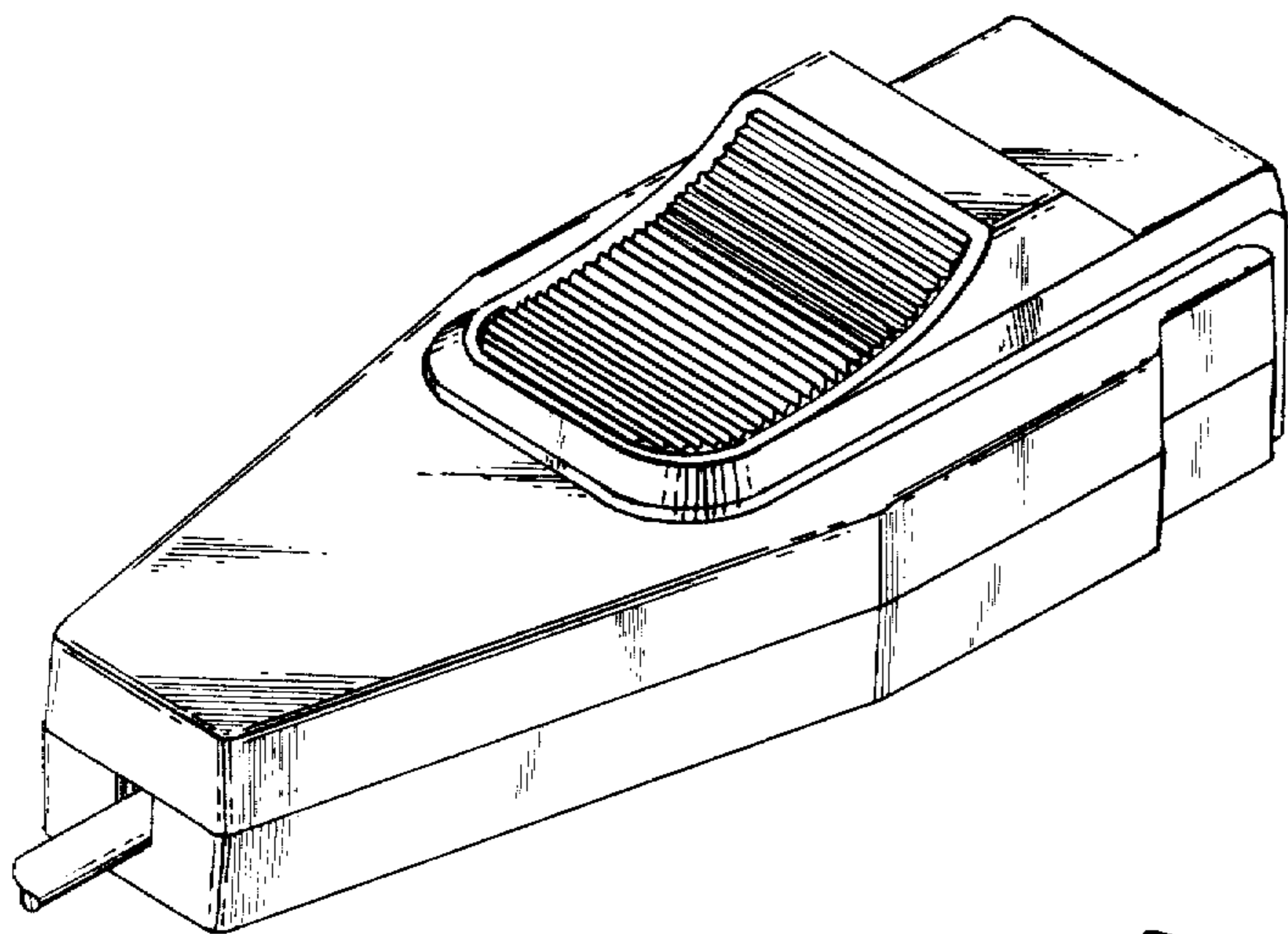


FIG. 1

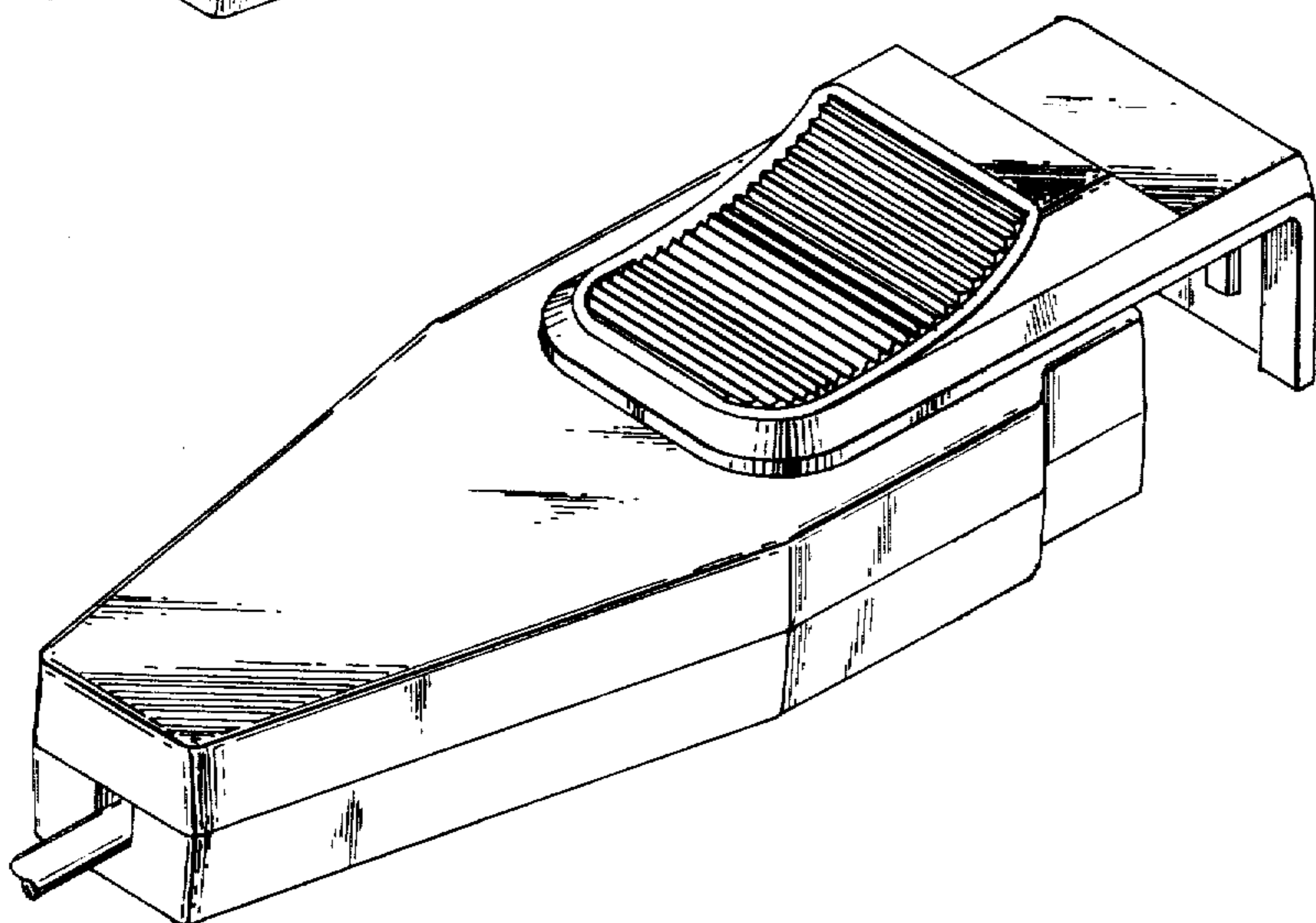


FIG. 2

FIG. 3

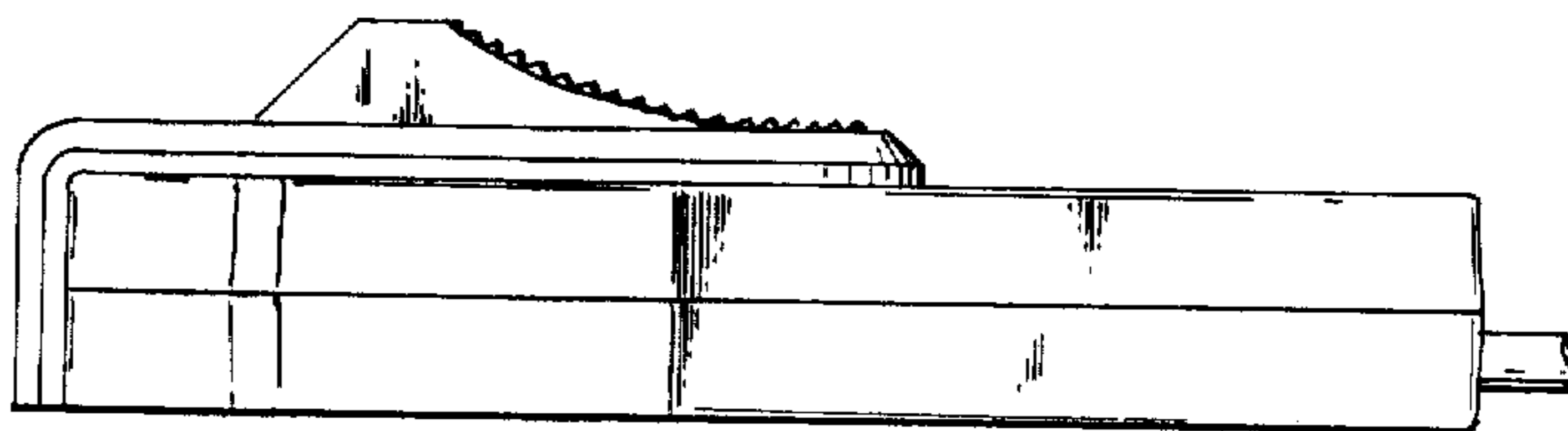


FIG. 4

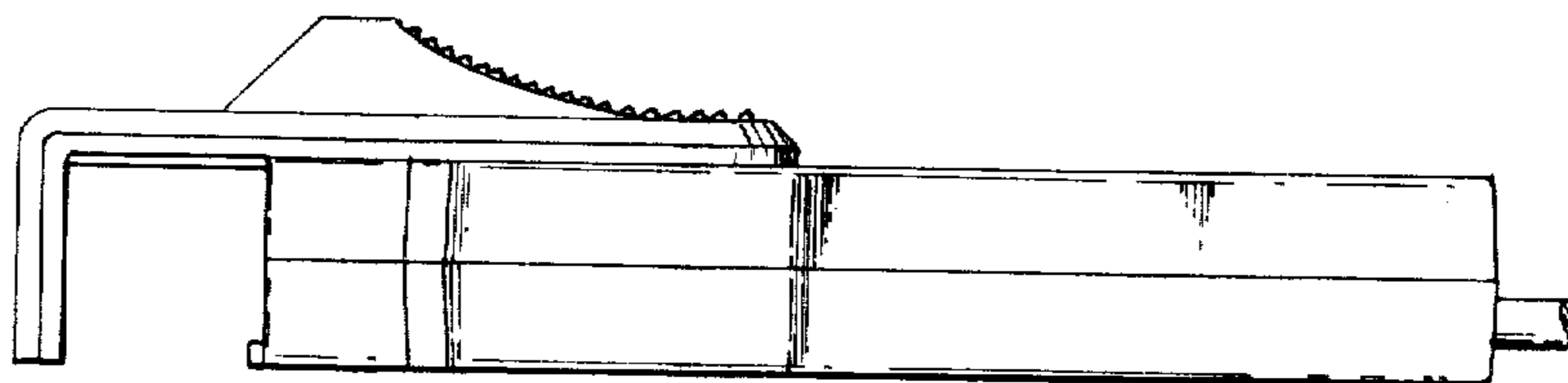


FIG. 5

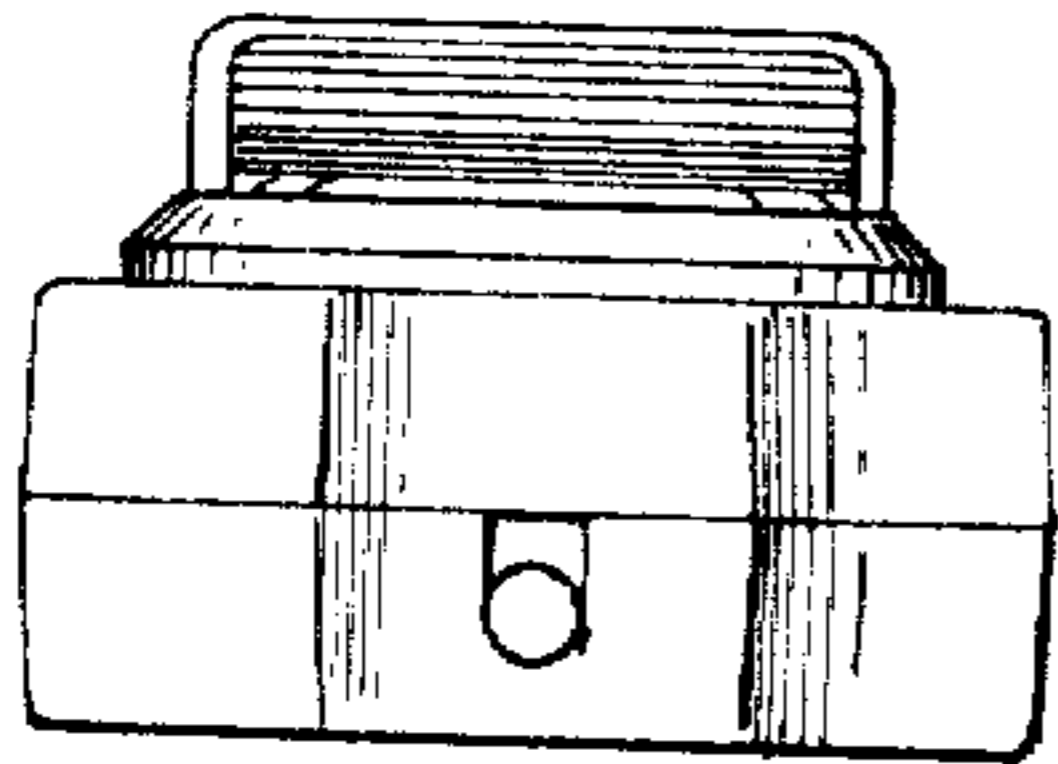


FIG. 8

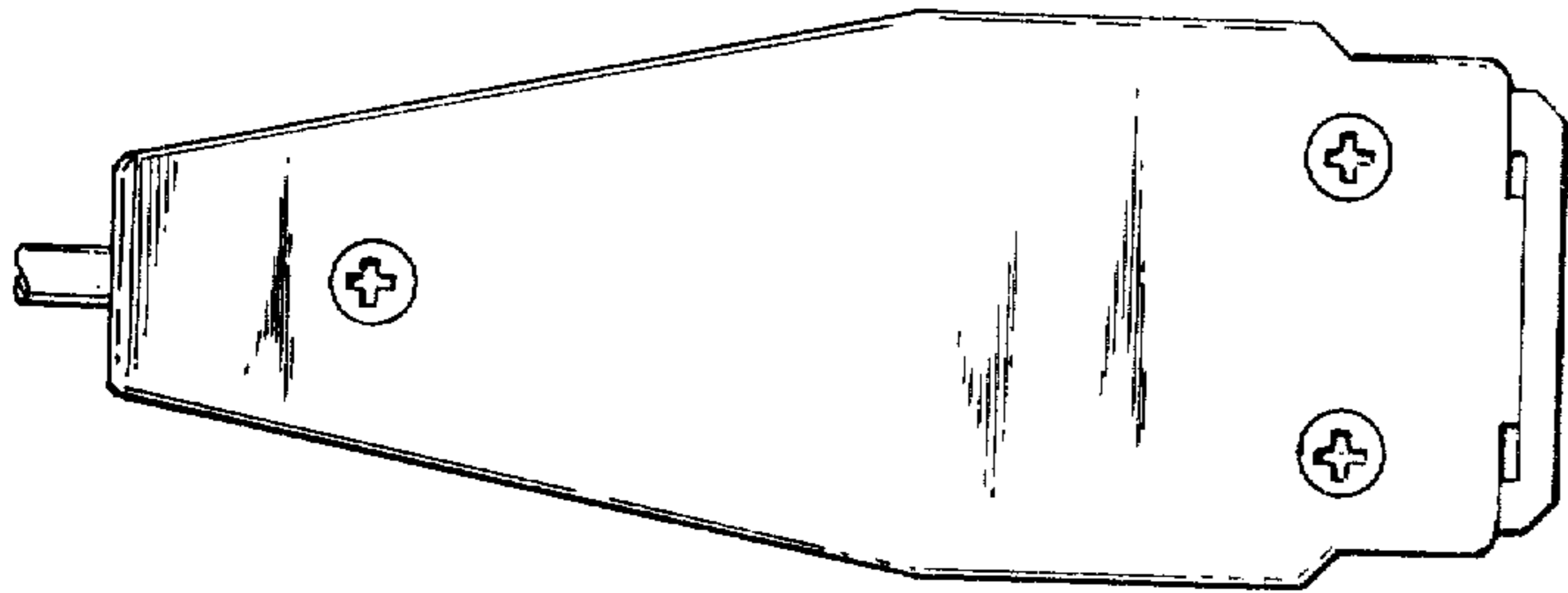
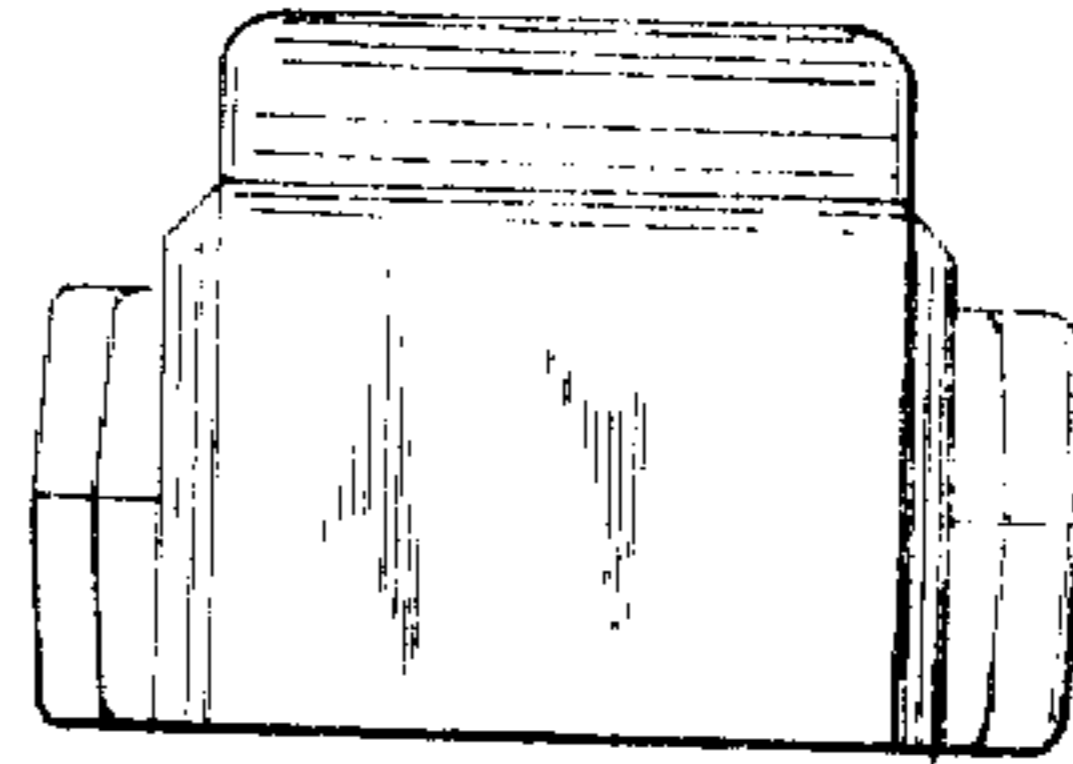


FIG. 6

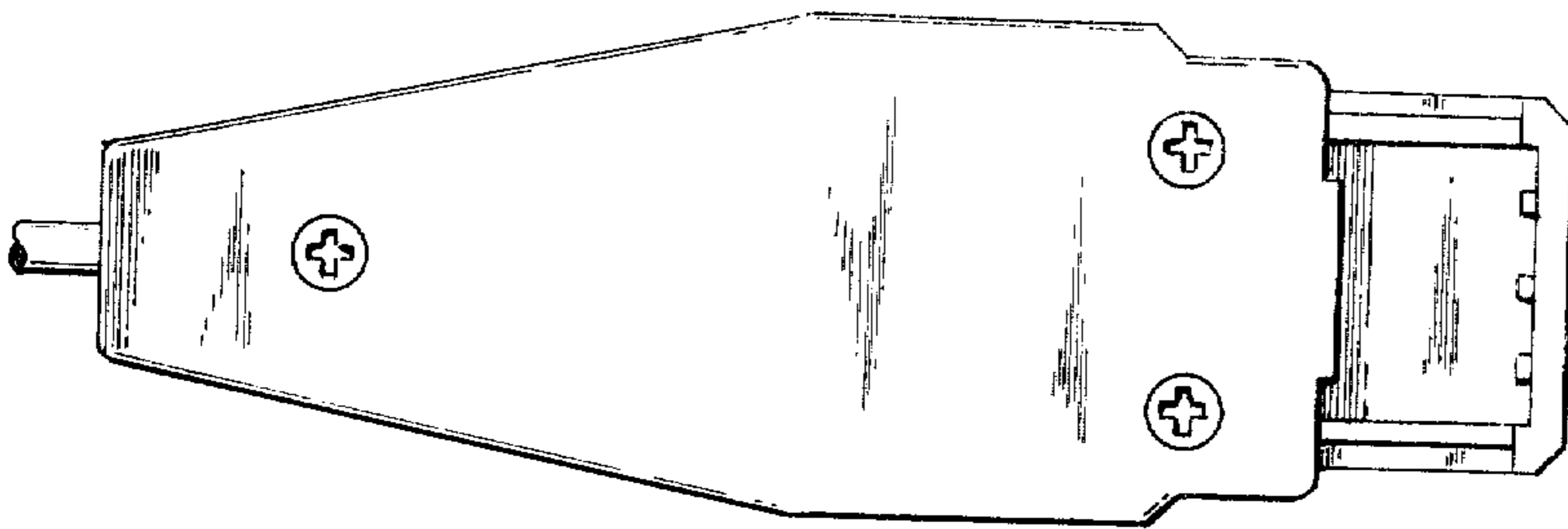


FIG. 7

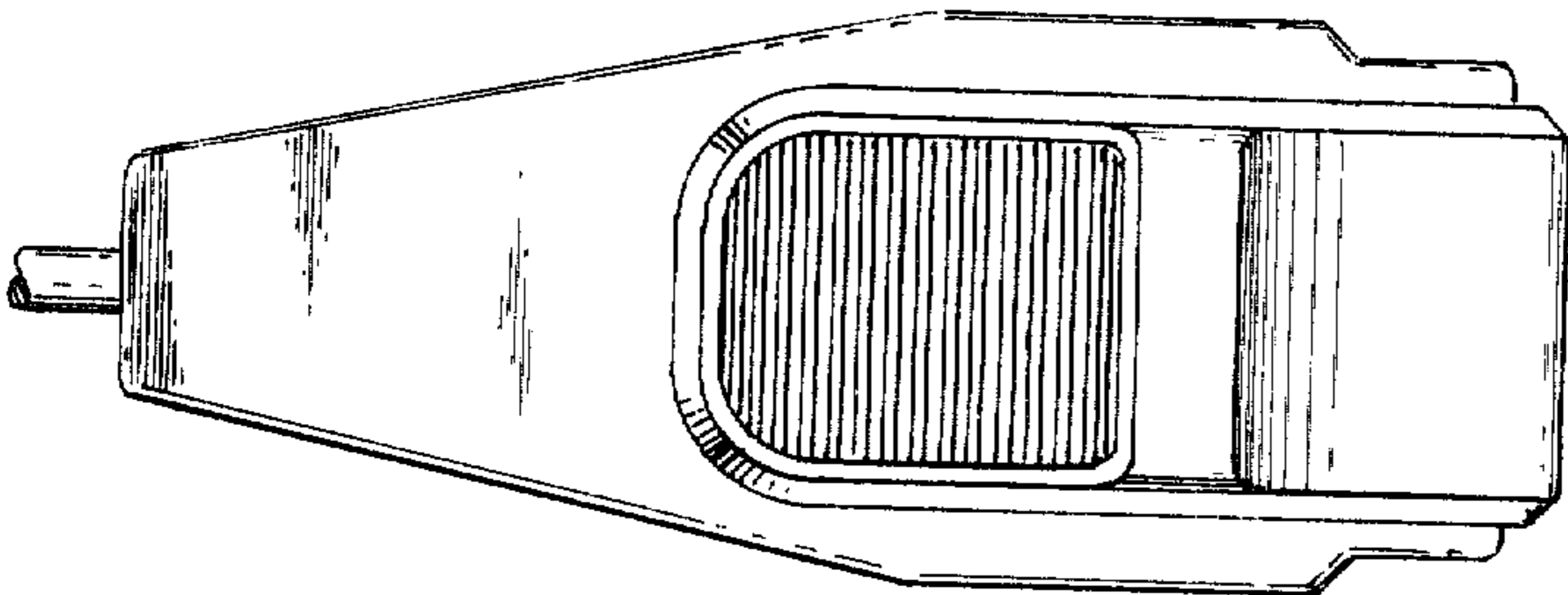


FIG. 9

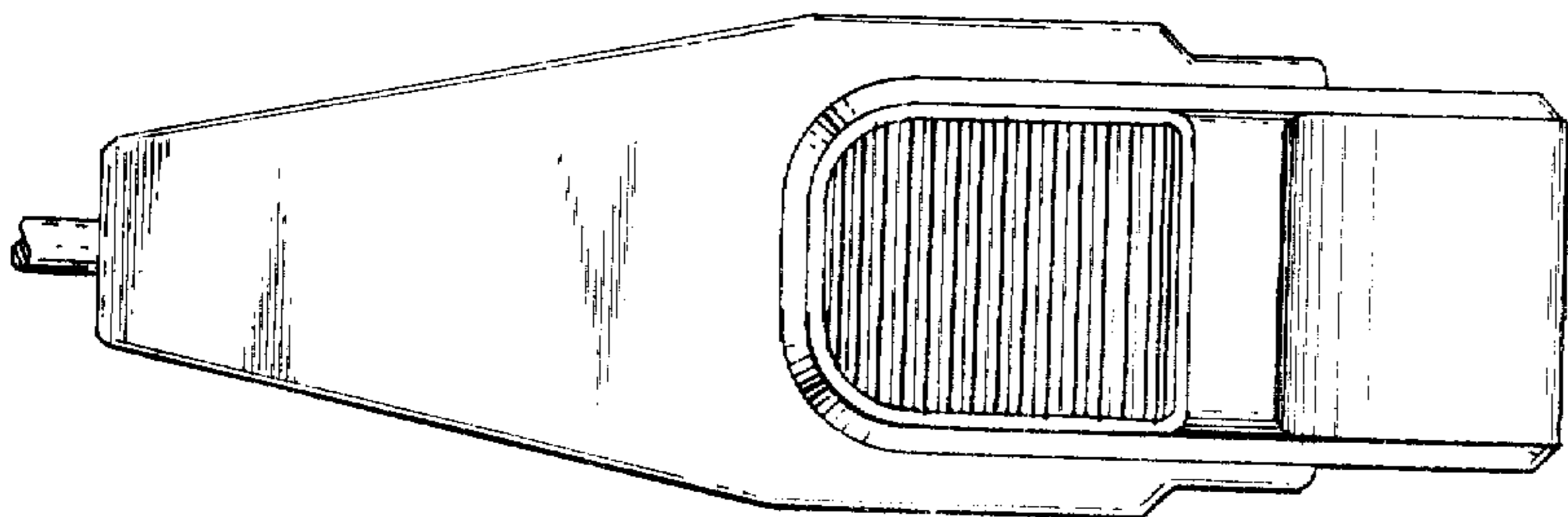


FIG. 10