

[54] CLOCK

[76] Inventor: Creath Q. Linville, 6501 La Paloma Oeste, Phoenix, Ariz. 85014

[**] Term: 14 Years

[21] Appl. No.: 9,224

[22] Filed: Feb. 2, 1979

[51] Int. Cl. D10-01

[52] U.S. Cl. D10/12

[58] Field of Search D10/2, 12, 6, 1; 368/278, 276, 228-229, 232, 285; D21/87, 90

[56] References Cited

U.S. PATENT DOCUMENTS

- D. 75,486 6/1928 Goldberg D10/12 X
- D. 100,430 7/1936 Linville D10/12

- D. 112,612 12/1938 Marshall D10/12
- D. 122,116 8/1940 Houston D10/12
- D. 128,008 7/1941 Silvers D10/12 X
- D. 147,504 9/1947 Miller D10/2

FOREIGN PATENT DOCUMENTS

- 547748 12/1922 France 368/278

Primary Examiner—Nelson C. Holtje
Attorney, Agent, or Firm—H. Gordon Shields

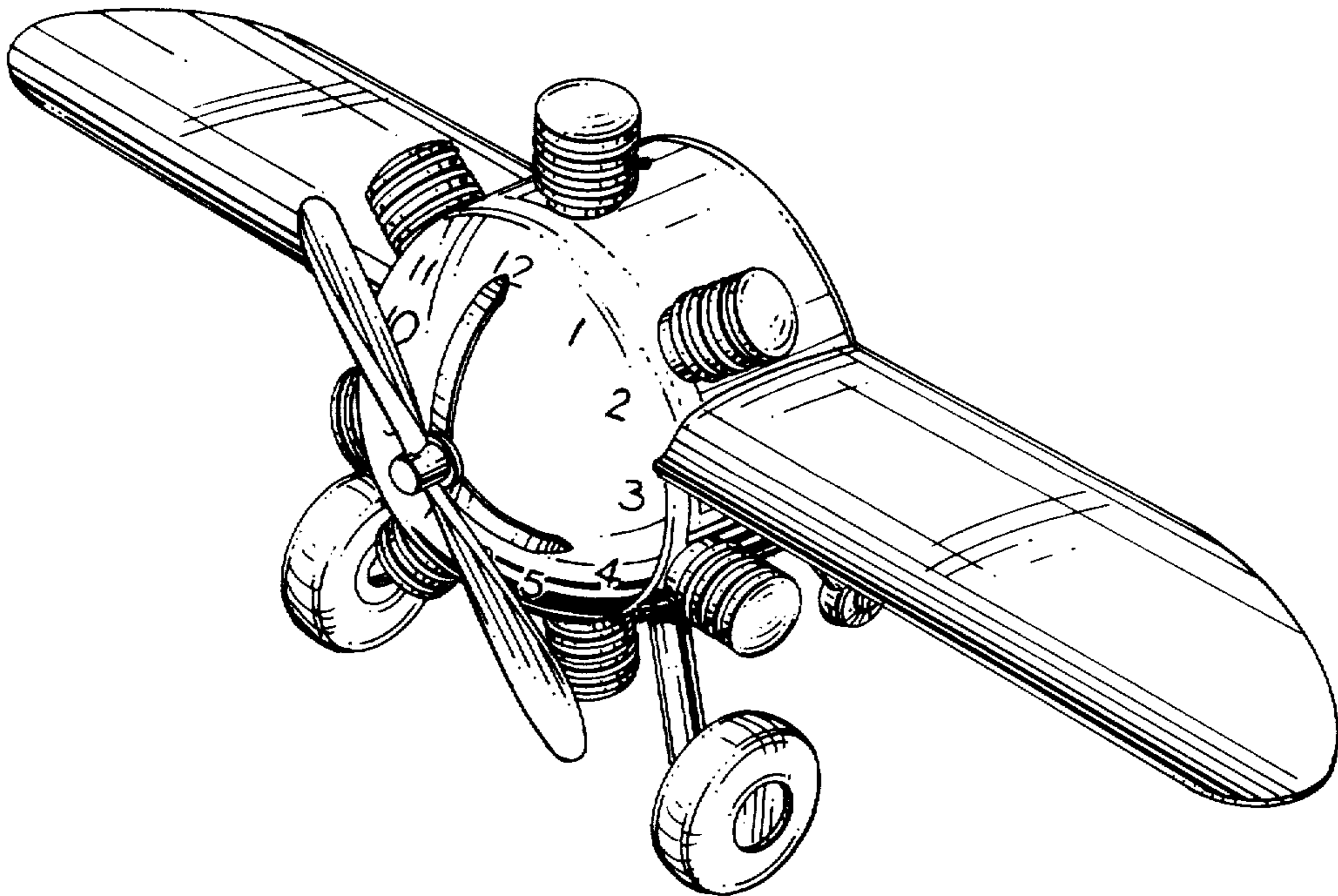
[57] CLAIM

The ornamental design for a clock, as shown.

DESCRIPTION

FIG. 1 is a top and right front perspective view of a clock showing my new design;

FIG. 2 is a bottom and left rear perspective view thereof.



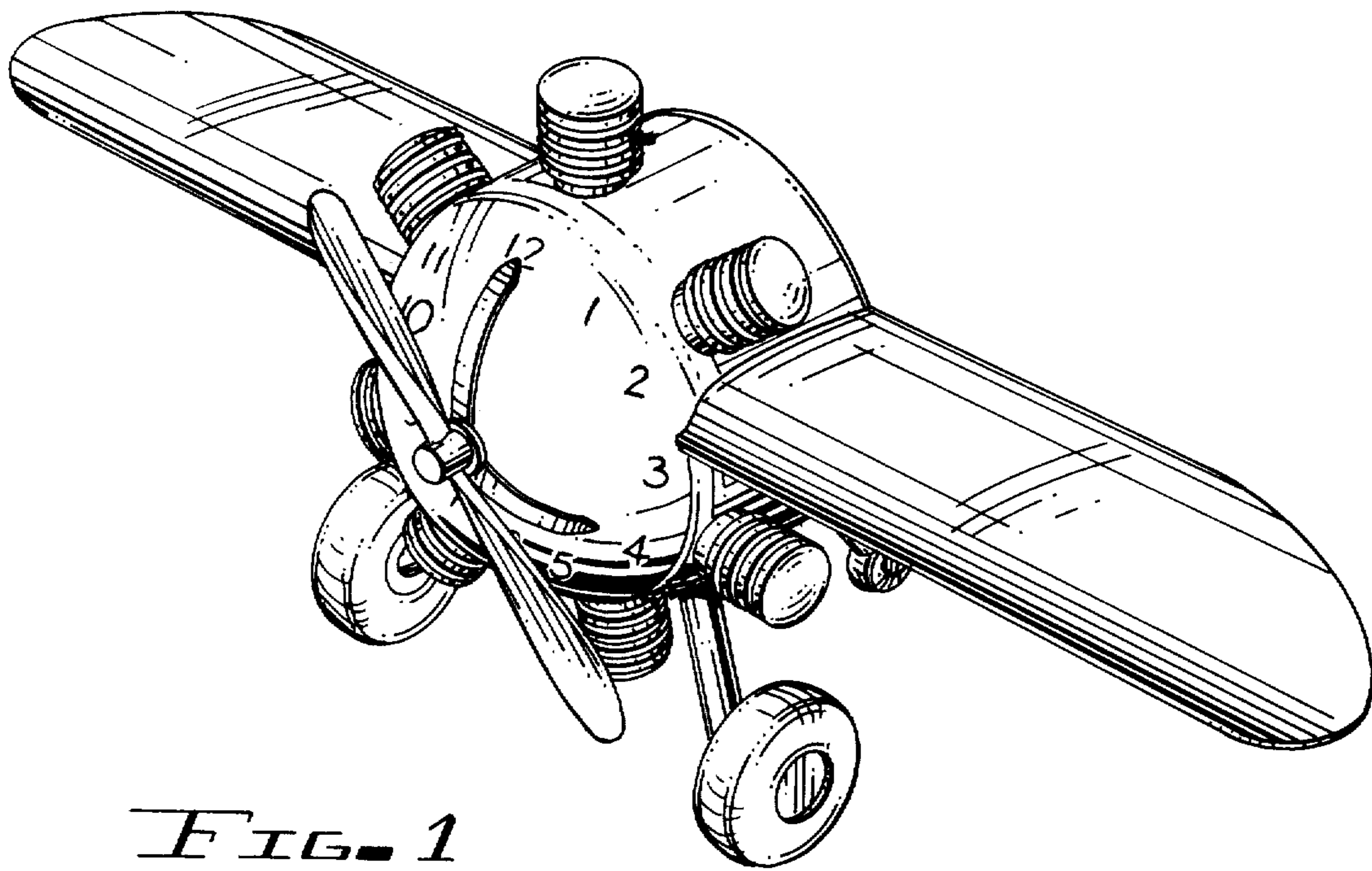


FIG. 1

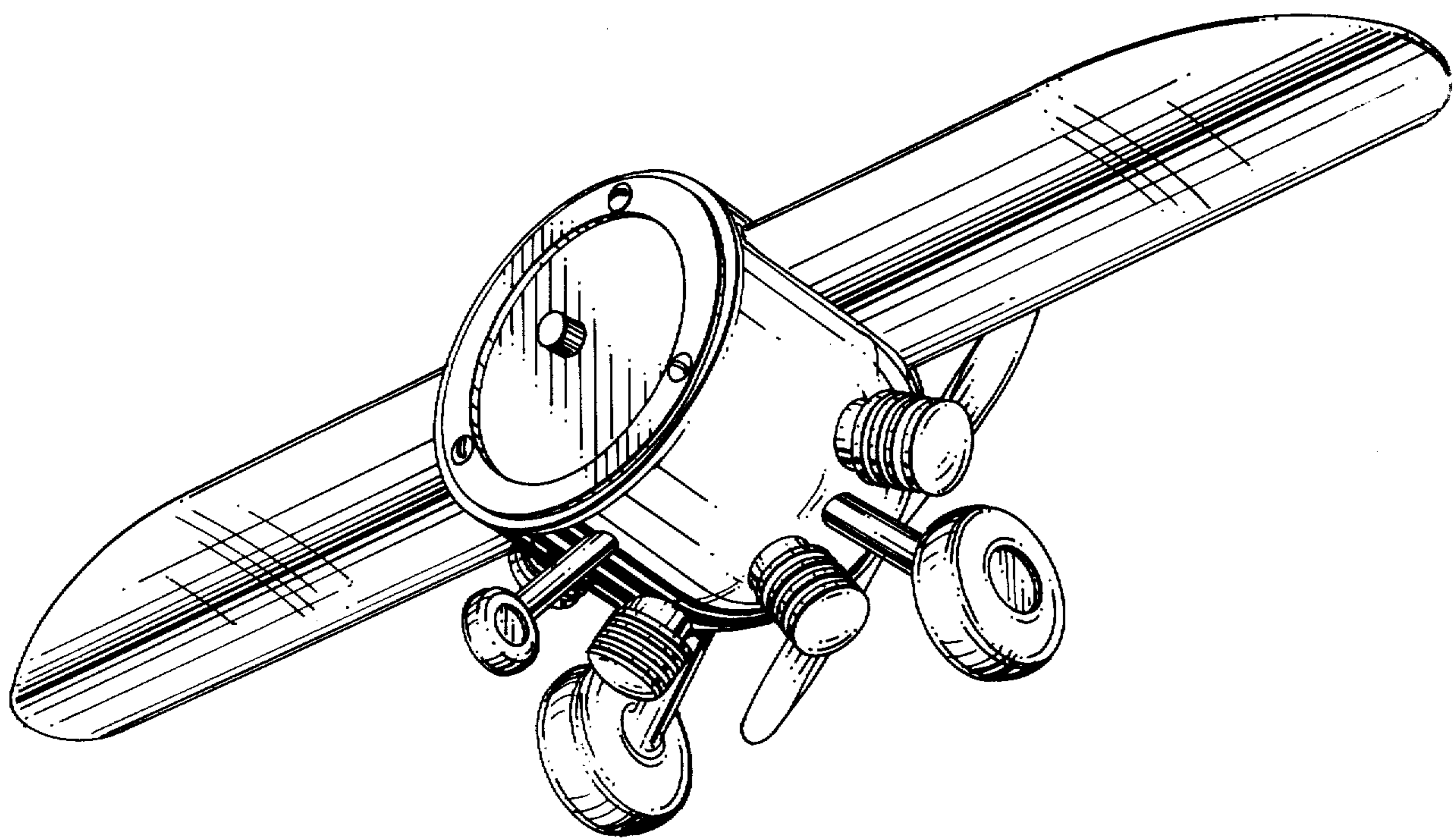


FIG. 2