

[54] **HANDLE STUD**

[75] **Inventor:** Edward M. Stolarz, Yorktown Heights, N.Y.

[73] **Assignee:** Presto Lock Company, Division of Walter Kidde & Company, Inc., Garfield, N.J.

[**] **Term:** 14 Years

[21] **Appl. No.:** 119,980

[22] **Filed:** Feb. 8, 1980

[51] **Int. Cl.** D8-06
[52] **U.S. Cl.** D8/321; D8/306
[58] **Field of Search** D8/300-302, D8/305-308, 310-312, 315-320, 321; 16/110 R, 111 R, 115, 121; 150/12, 33; 190/57, 58 R, 58 A, 58 B, 59, 60

[56]

References Cited

U.S. PATENT DOCUMENTS

D. 119,533	3/1940	Komenak	D8/321
D. 124,803	1/1941	Levine	D8/321
D. 128,395	7/1941	Kates	D8/321
D. 158,874	6/1950	Levine	D8/306
D. 188,405	7/1960	Levine	D8/321
2,613,771	10/1952	Levine	190/58 R

Primary Examiner—B. J. Bullock
Attorney, Agent, or Firm—Shapiro and Shapiro

[57]

CLAIM

The ornamental design for a handle stud, as shown and described.

DESCRIPTION

FIG. 1 is a perspective view of a handle stud embodying my new design;
FIG. 2 is a top plan view;
FIG. 3 is a side elevational view, the side opposite being identical;
FIG. 4 is an end elevational view, the end opposite being identical;
FIG. 5 is a bottom plan view.

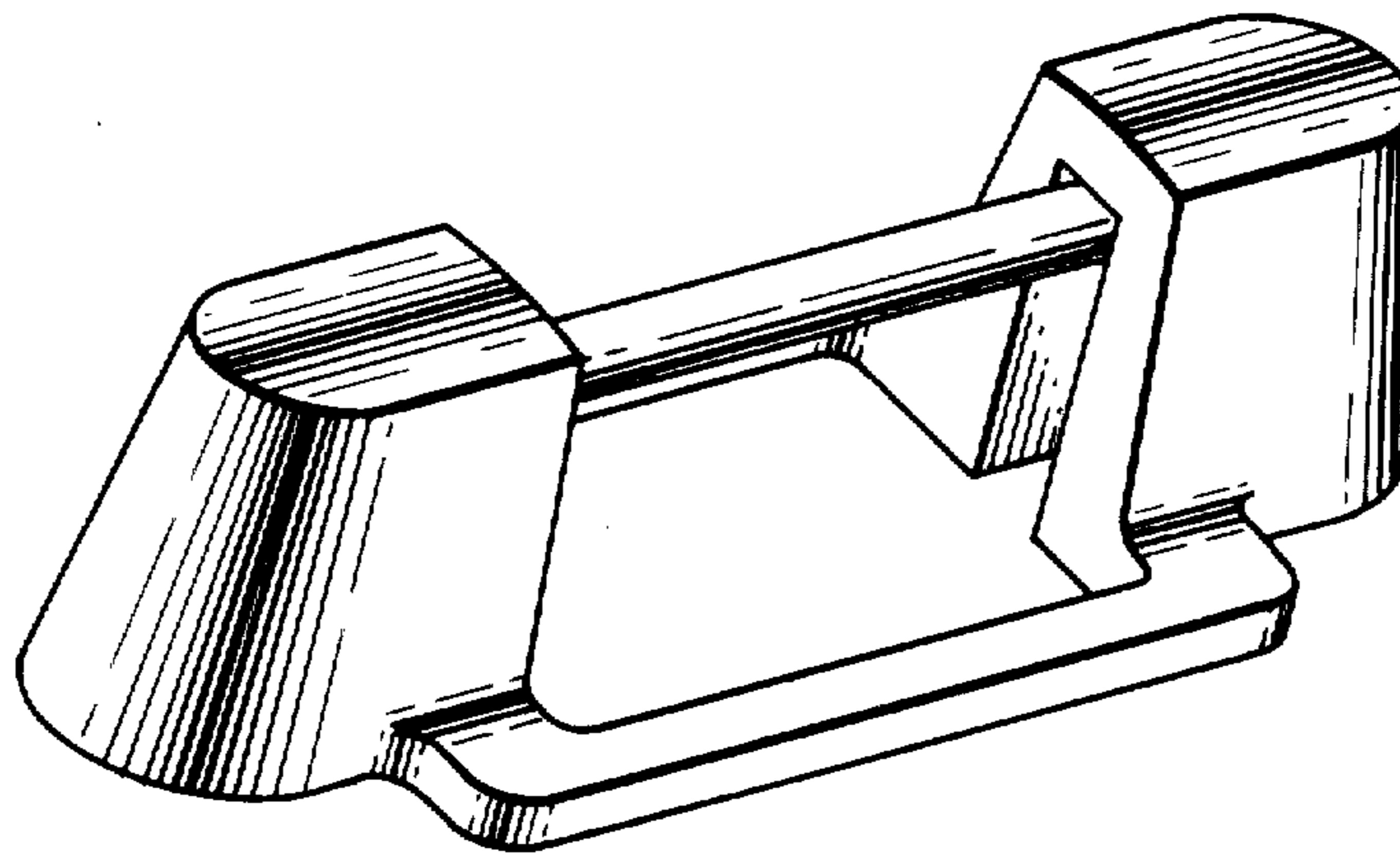


FIG. 1.

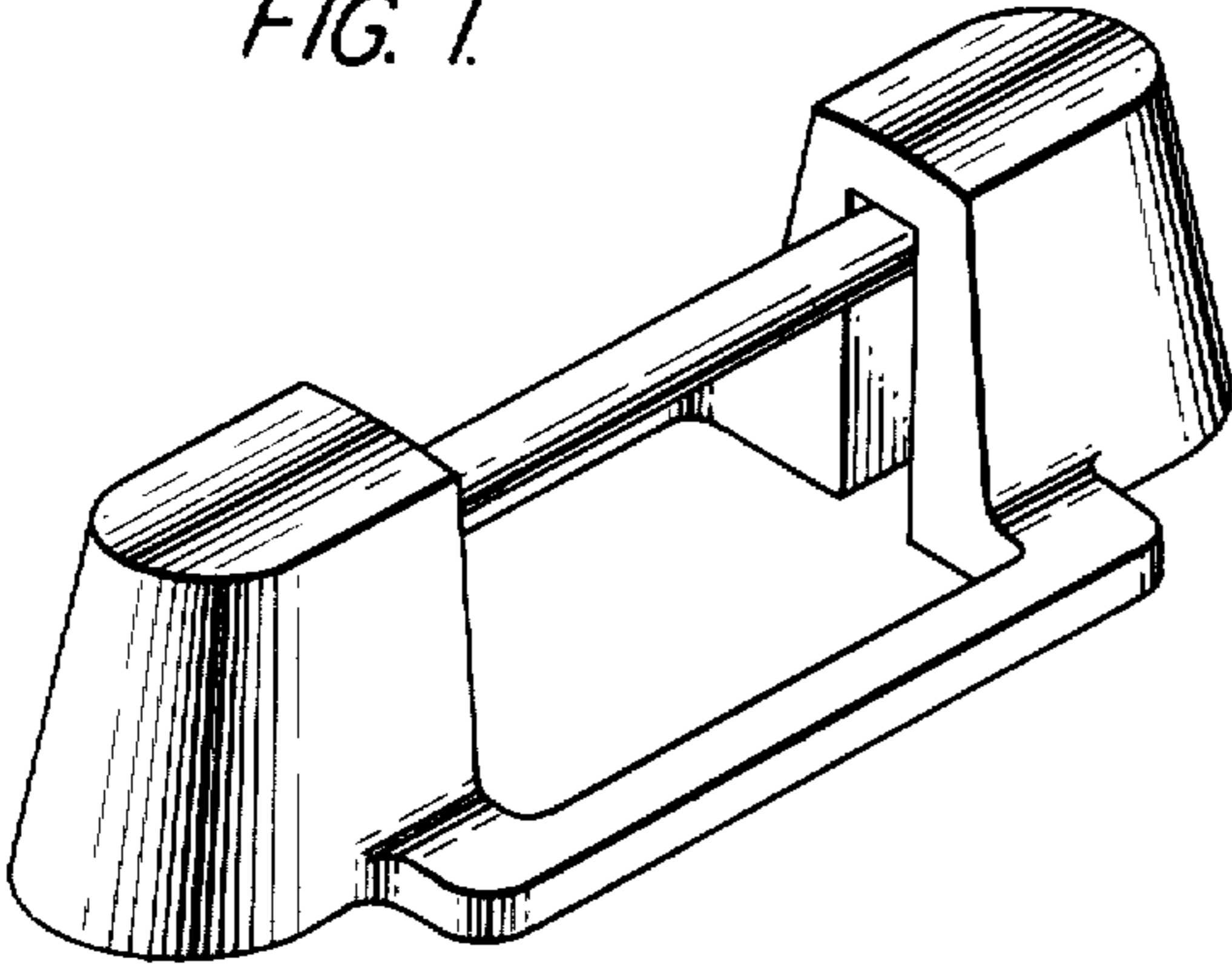


FIG. 2.

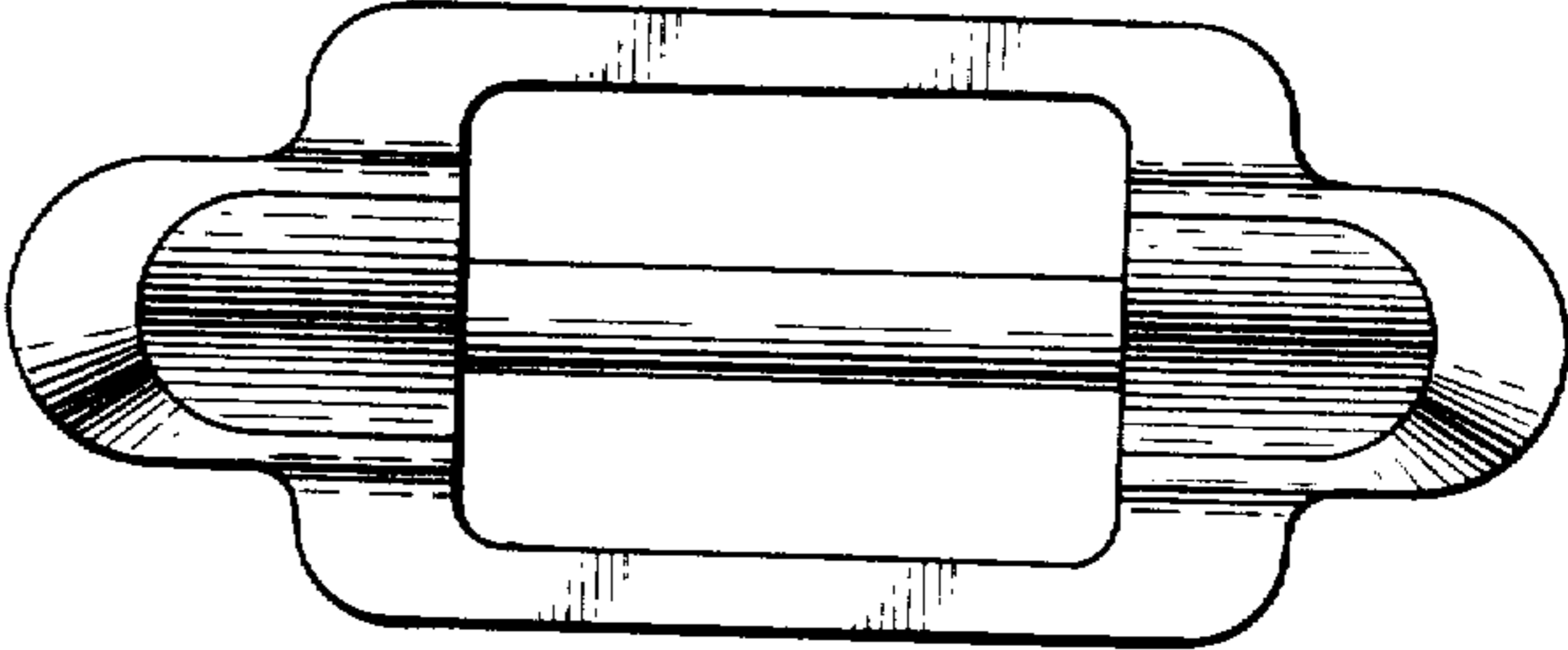


FIG. 3.

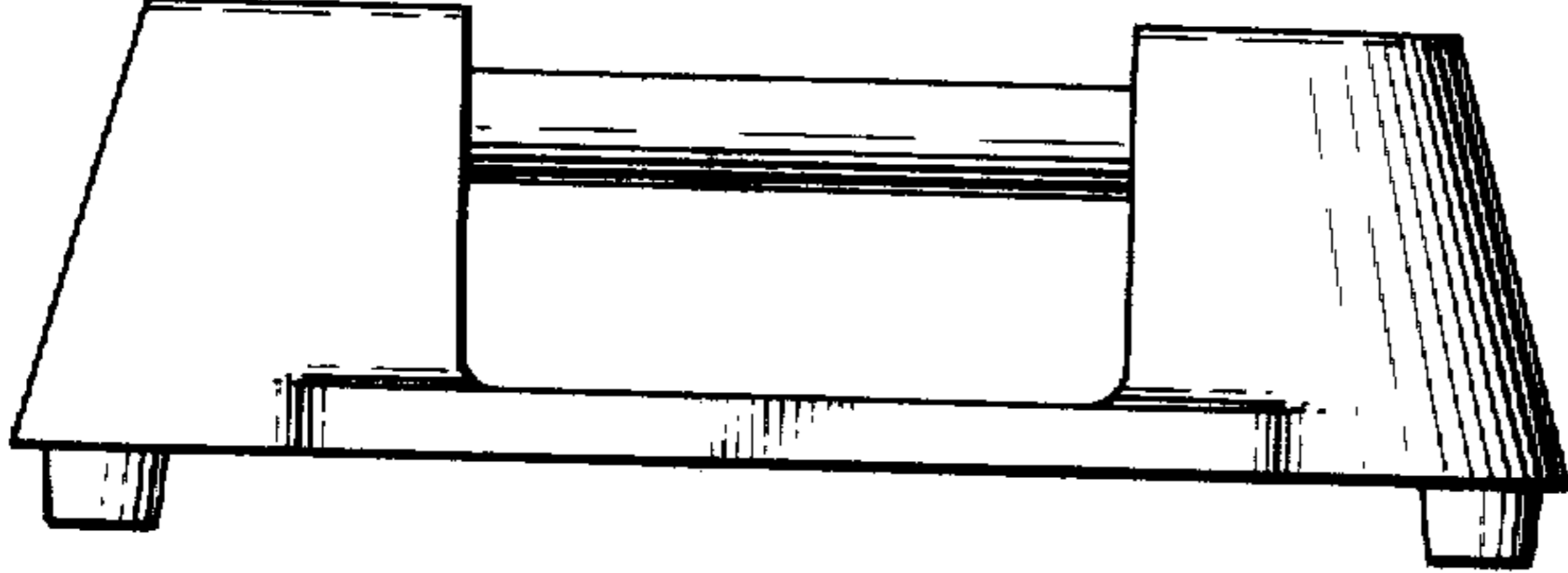


FIG. 4.

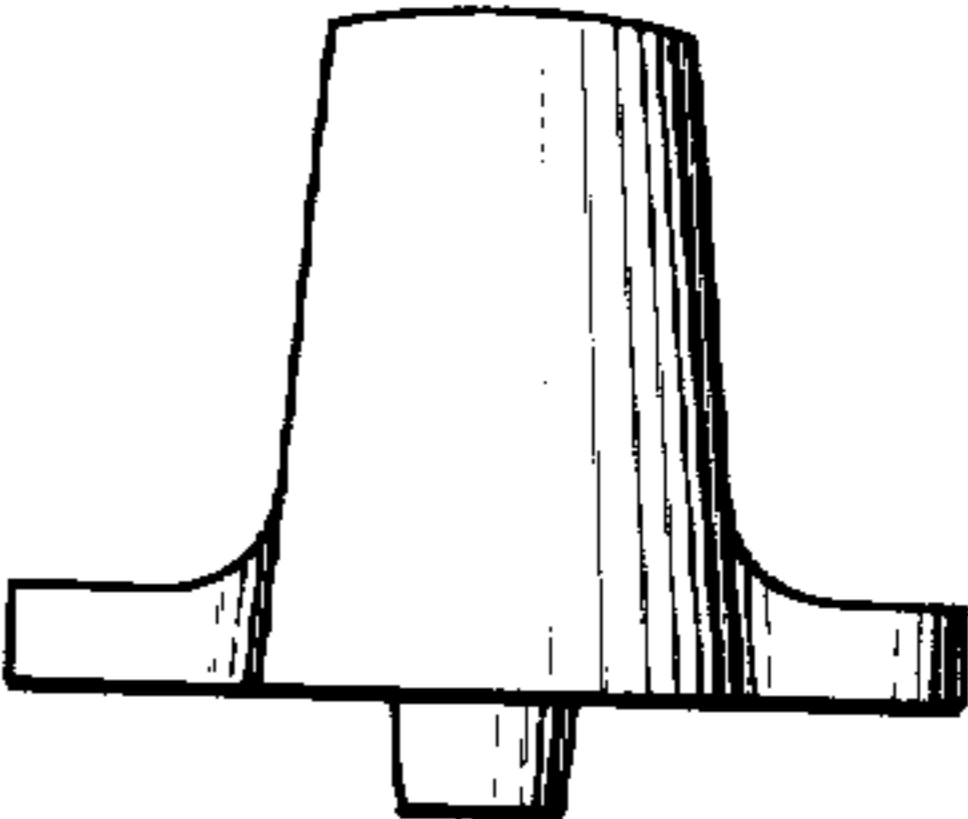


FIG. 5.

