

- [54] STEP-ON WASTEBASKET
- [75] Inventor: William E. Brazis, Medina, Ohio
- [73] Assignee: Rubbermaid Incorporated, Wooster, Ohio
- [**] Term: 14 Years
- [21] Appl. No.: 71,775
- [22] Filed: Aug. 31, 1979
- [51] Int. Cl. D7-07
- [52] U.S. Cl. D34/9
- [58] Field of Search D7/187, 189, 194, 195;
220/262, 263, 266

[56] **References Cited**

U.S. PATENT DOCUMENTS

- D. 176,083 11/1955 Reinecke D7/195
- 3,100,580 8/1963 Smith D7/194 X

Primary Examiner—A. Hugo Word
Attorney, Agent, or Firm—Hamilton, Renner & Kenner

[57] **CLAIM**

The ornamental design for a step-on wastebasket, as shown and described.

DESCRIPTION

- FIG. 1 is a front perspective view of a step-on wastebasket embodying my new design, showing the cover closed.
- FIG. 2 is a fragmentary front perspective view thereof, showing the cover open.
- FIG. 3 is a top plan view thereof with the cover closed and broken away, taken on line 3—3 of FIG. 4.
- FIG. 4 is a front elevational view with the cover closed.
- FIG. 5 is a rear perspective view showing the cover closed.
- FIG. 6 is a bottom plan view.
- FIG. 7 is a sectional view taken on line 7—7 of FIG. 4.

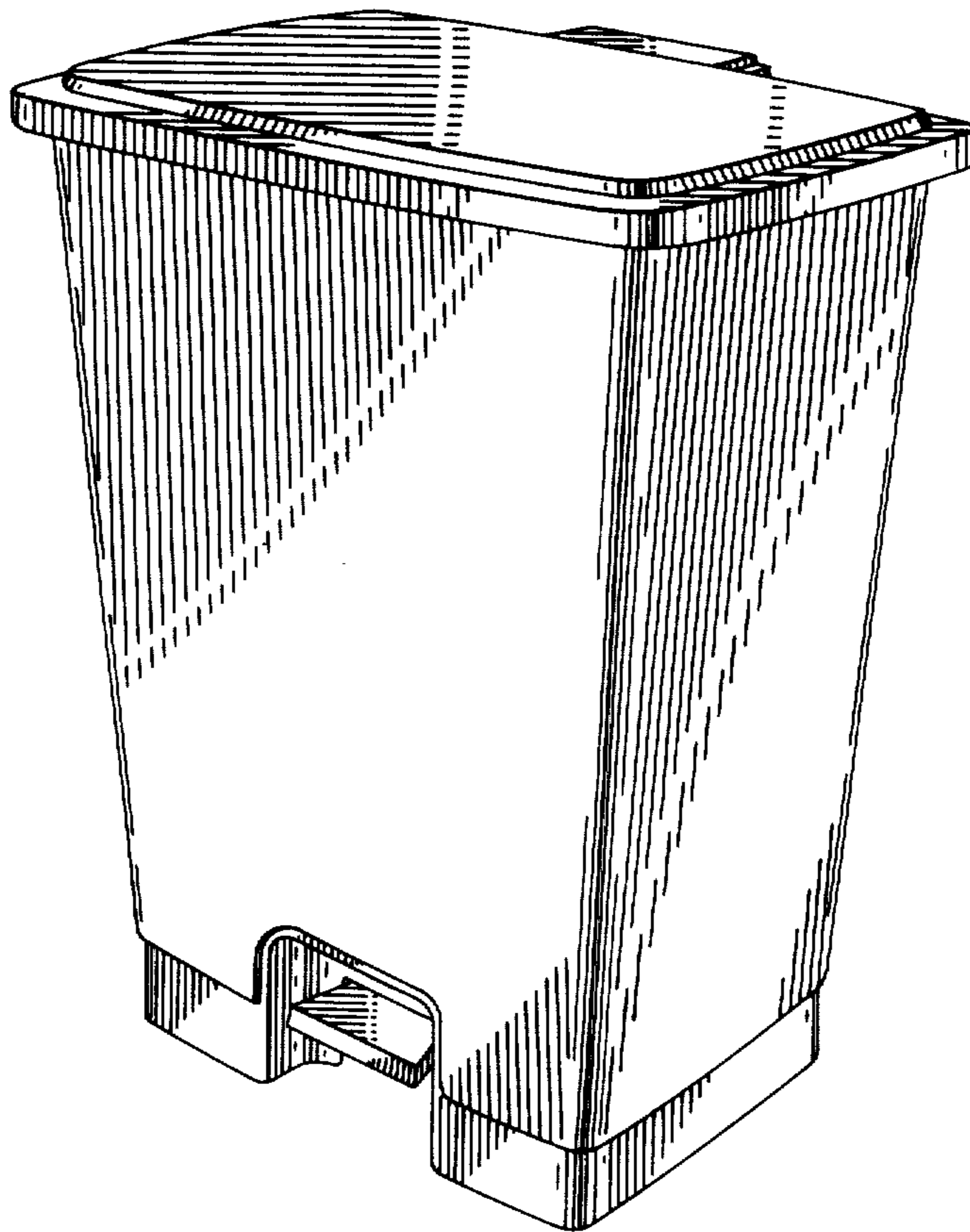


FIG. 1

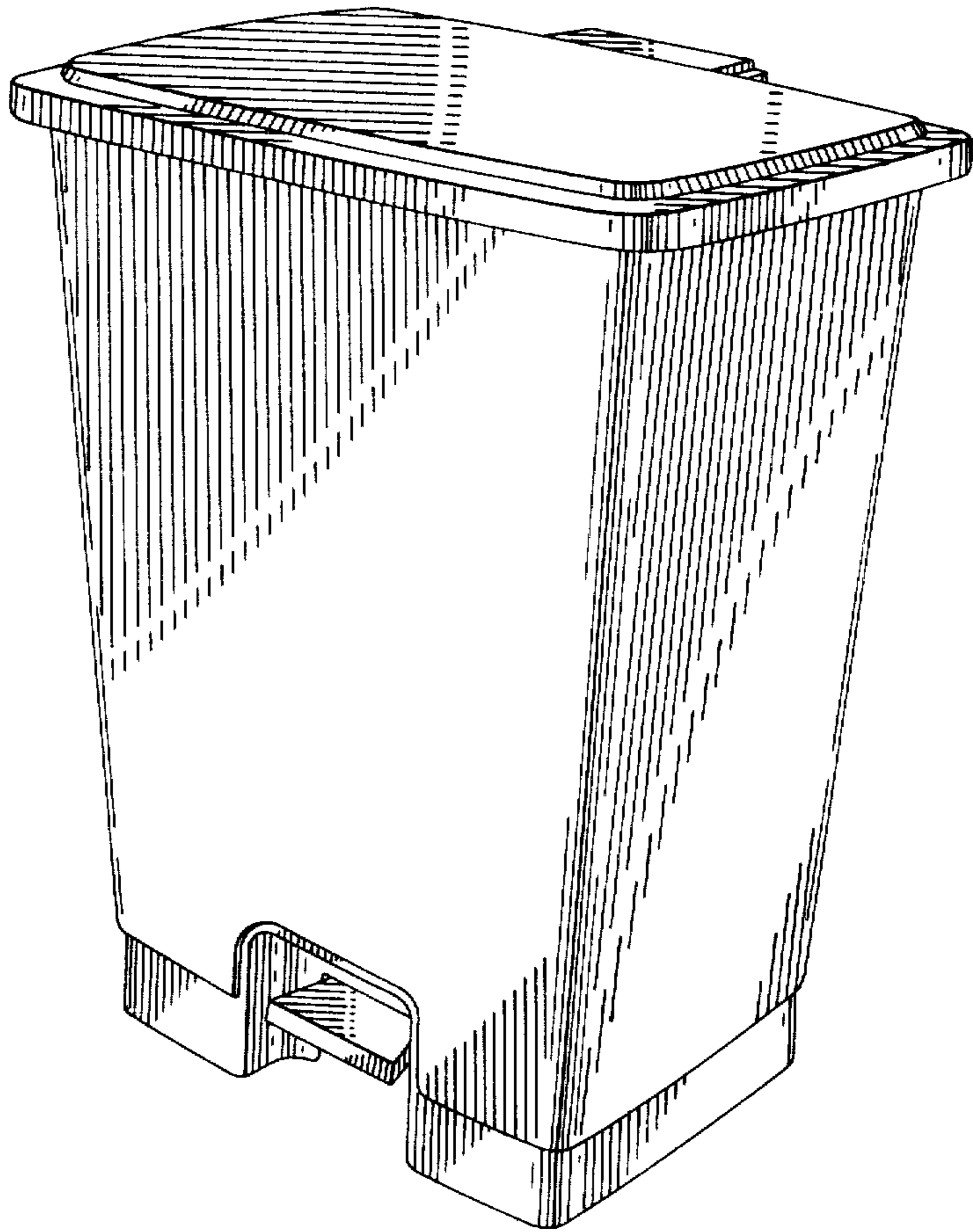


FIG. 2

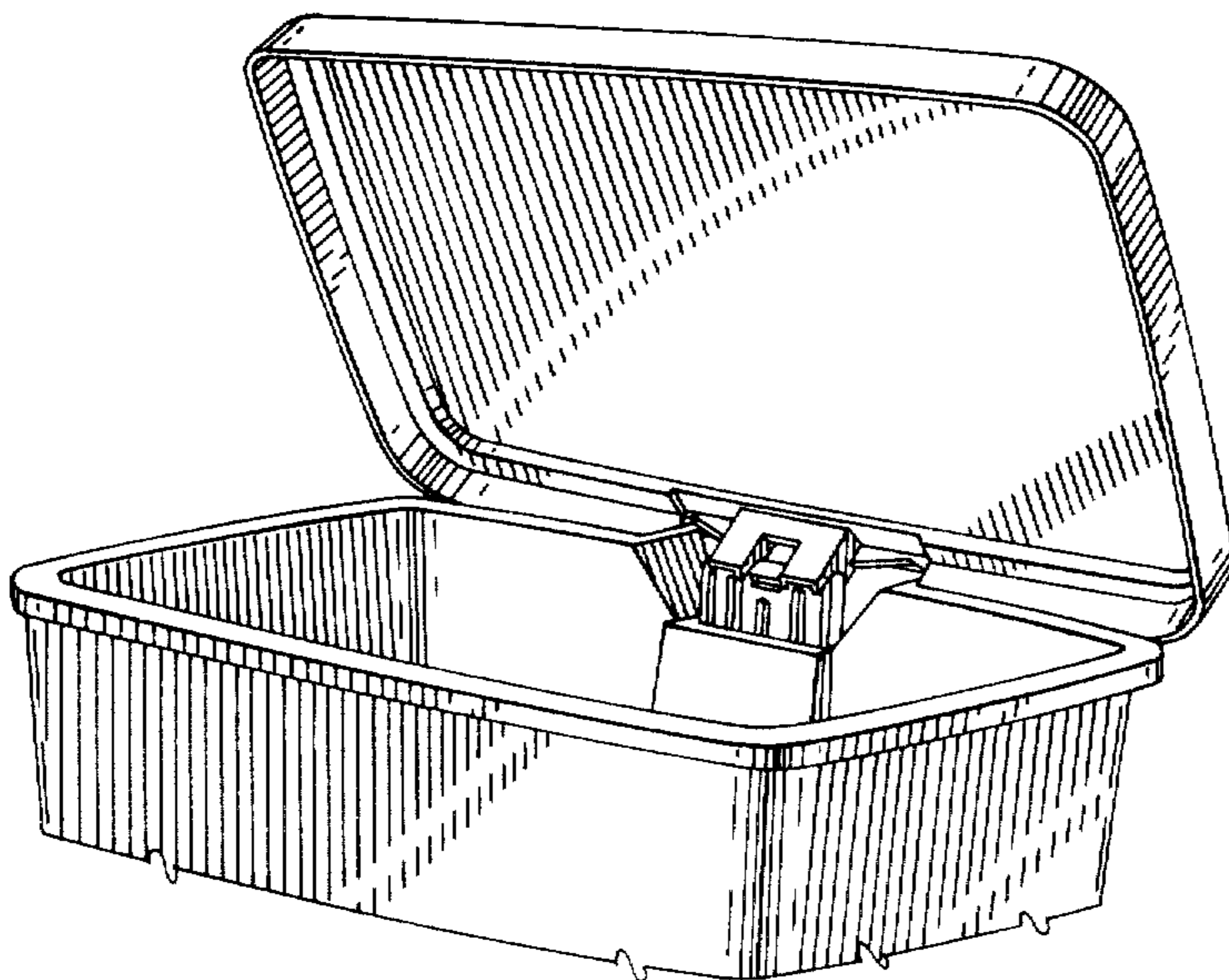


FIG. 3

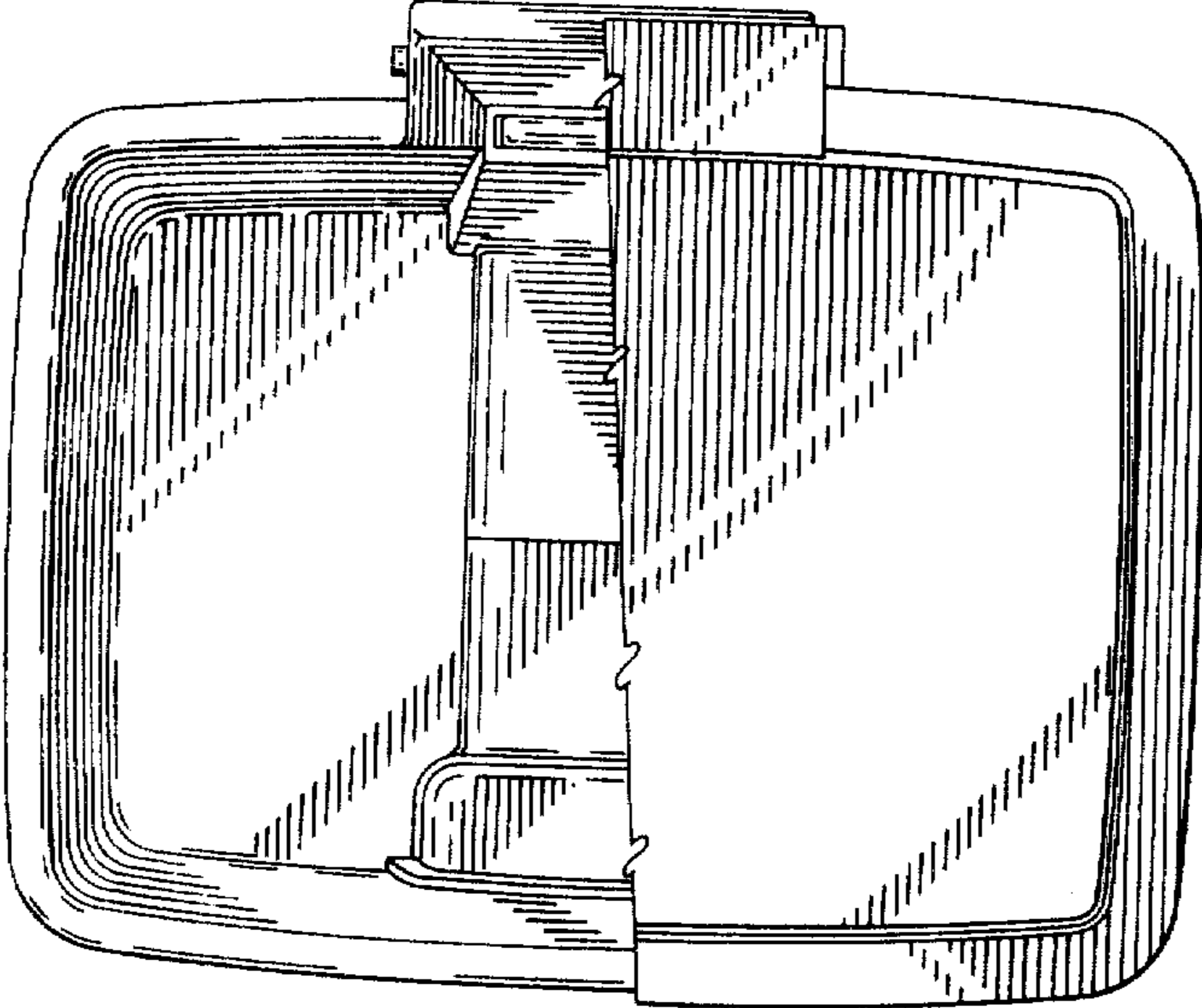
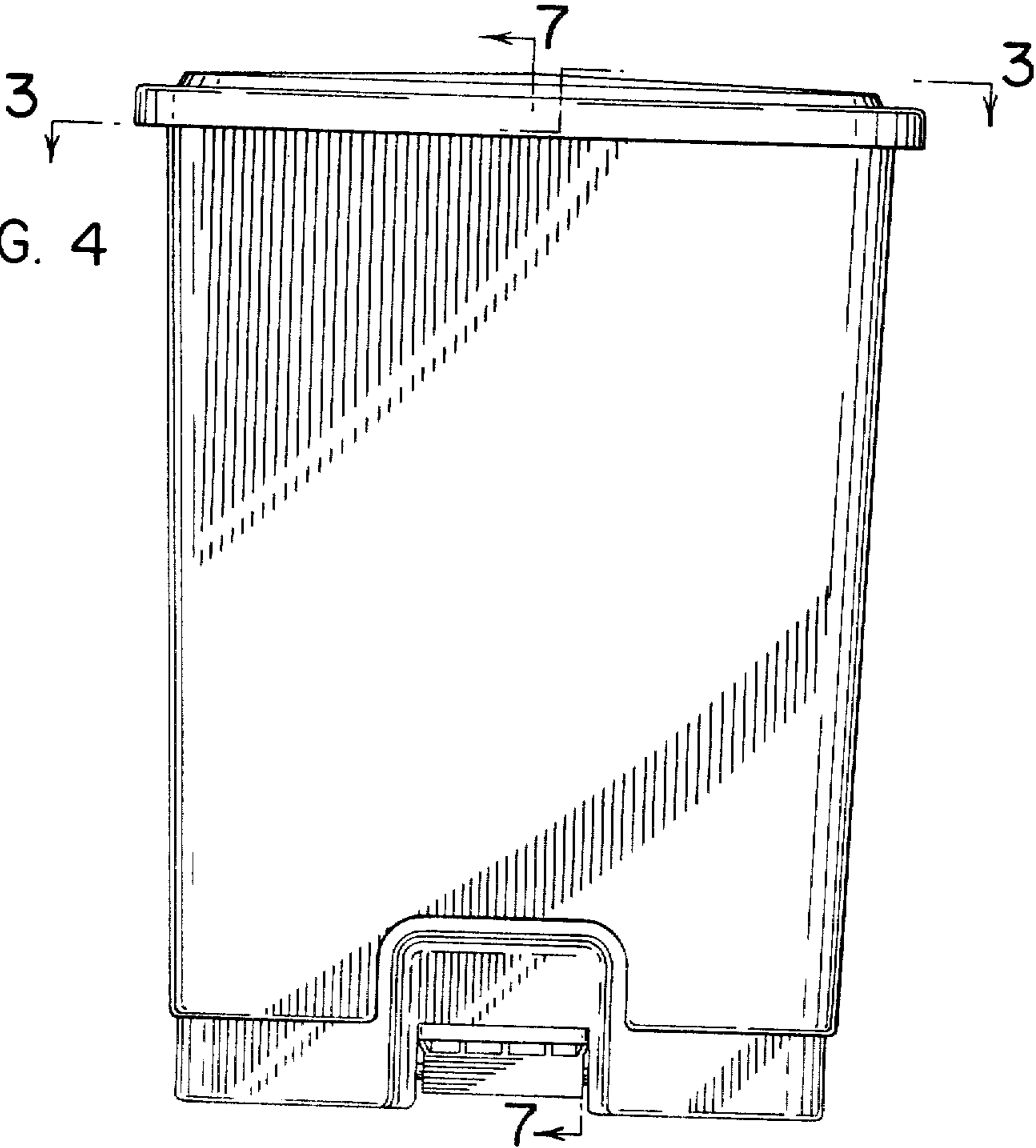


FIG. 4



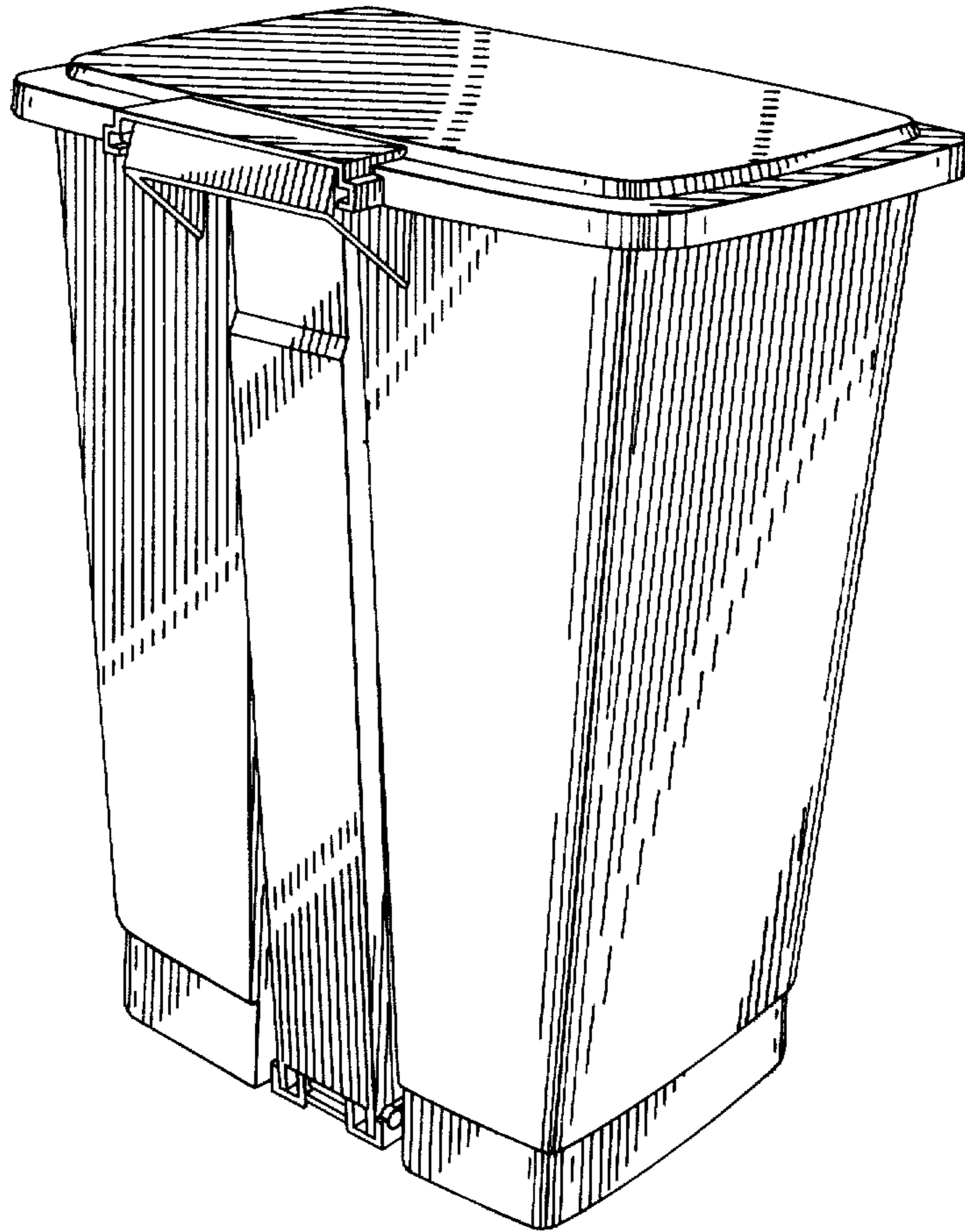


FIG. 5

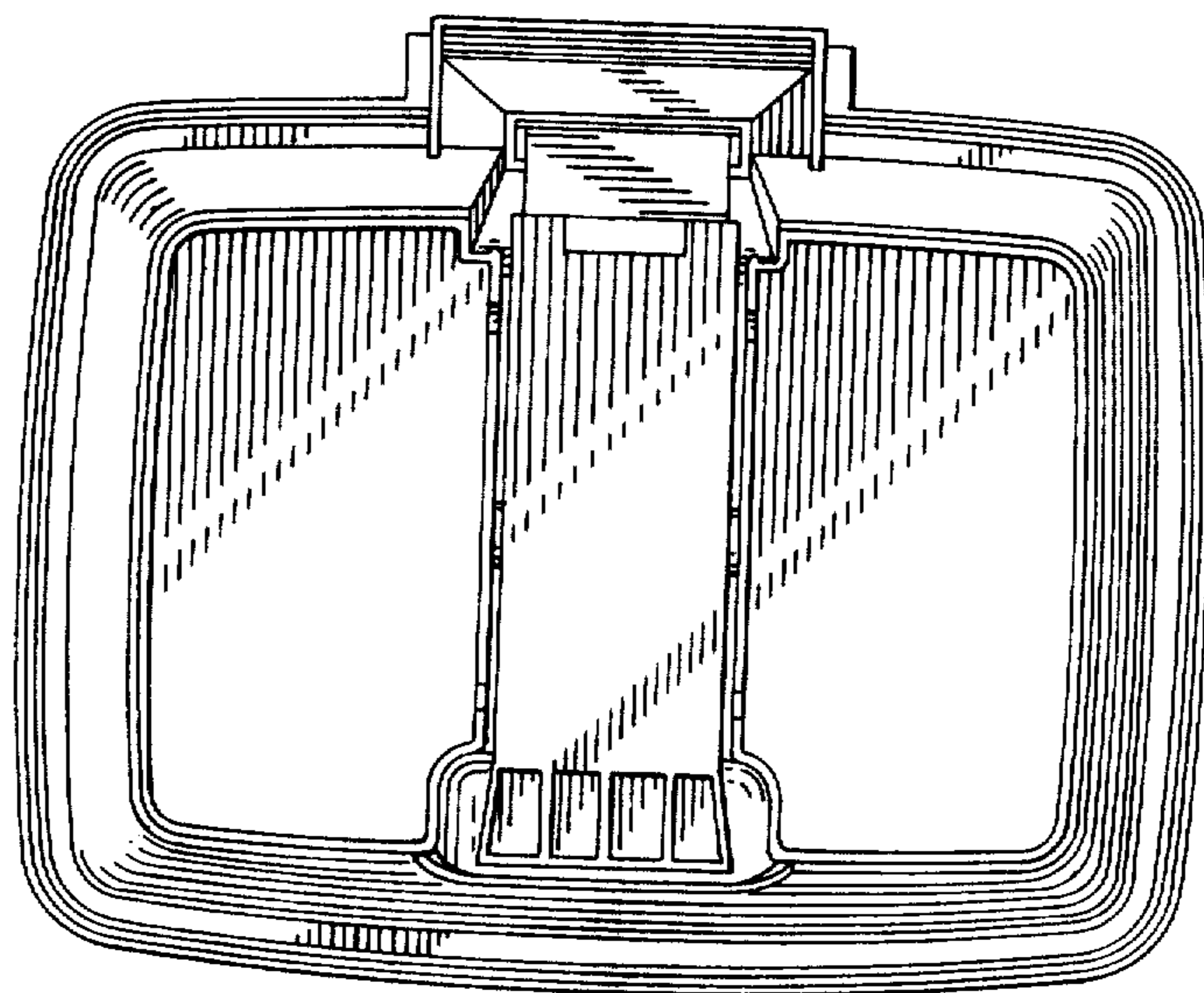


FIG. 6

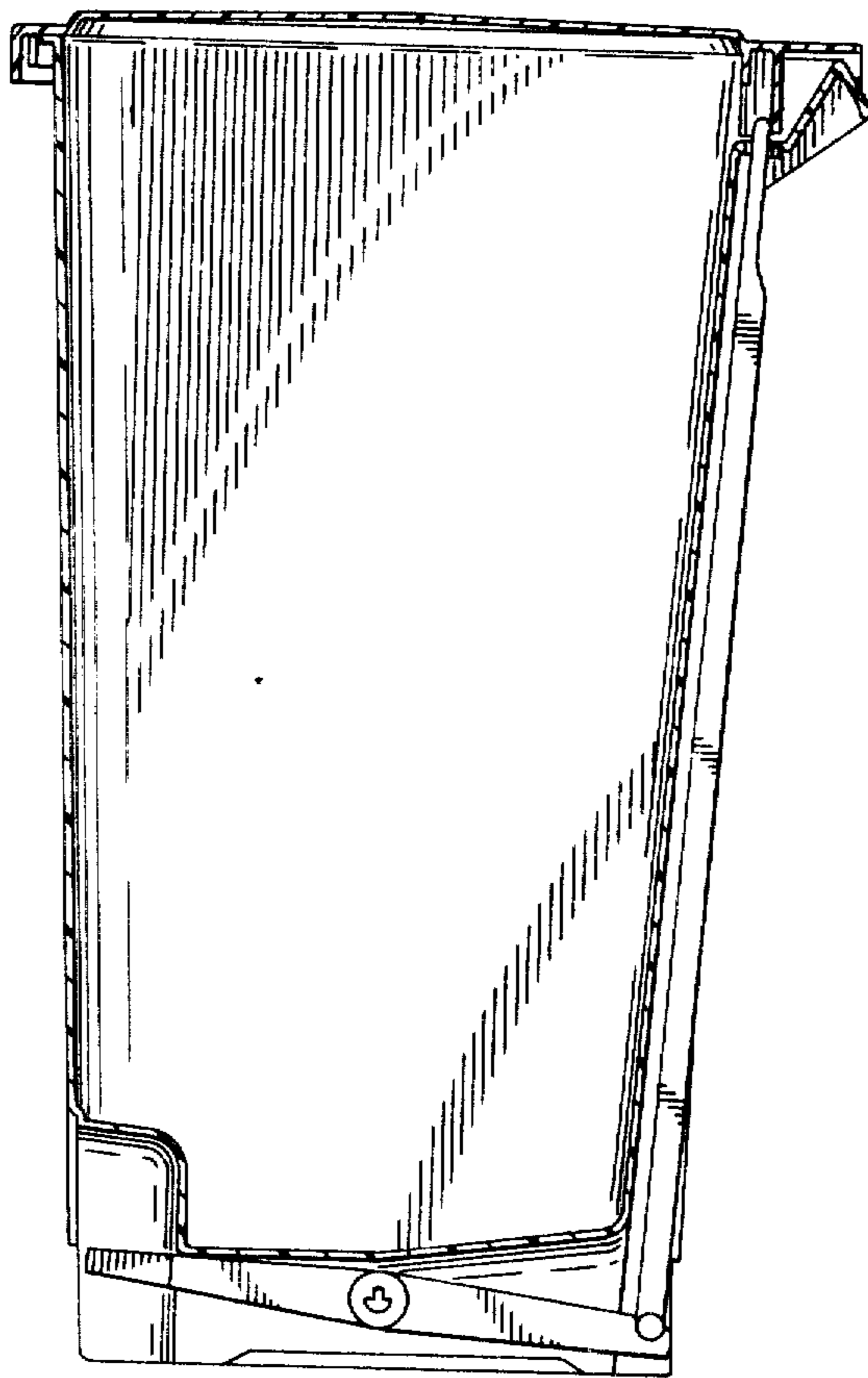


FIG. 7