

[54] **HOLDER FOR CONDIMENT CONTAINERS**

[76] Inventor: **Richard S. Berzack**, 5 Maple La.,  
Oxford, Mich. 48051

[\*\*] Term: **14 Years**

[21] Appl. No.: **71,365**

[22] Filed: **Aug. 30, 1979**

[51] Int. Cl. .... **D7-06**

[52] U.S. Cl. .... **D7/52; D6/45**

[58] Field of Search ..... **D6/42, 45; 297/157,**  
**297/158, 159; 108/109; D7/52, 5, 58, 70, 71;**  
**D9/307, 323**

[56] **References Cited**

**U.S. PATENT DOCUMENTS**

- D. 235,394 6/1975 Ruth ..... D6/45
- D. 237,443 11/1975 Nelson ..... D6/45 X
- D. 242,203 11/1976 Falbo ..... D7/52

- D. 251,892 5/1979 Palmer ..... D7/52
- D. 252,492 7/1979 Synder ..... D7/52
- 3,189,379 6/1965 Potter ..... 297/157

*Primary Examiner*—Winifred E. Herrmann  
*Attorney, Agent, or Firm*—Basile, Weintraub & Hanlon

[57] **CLAIM**

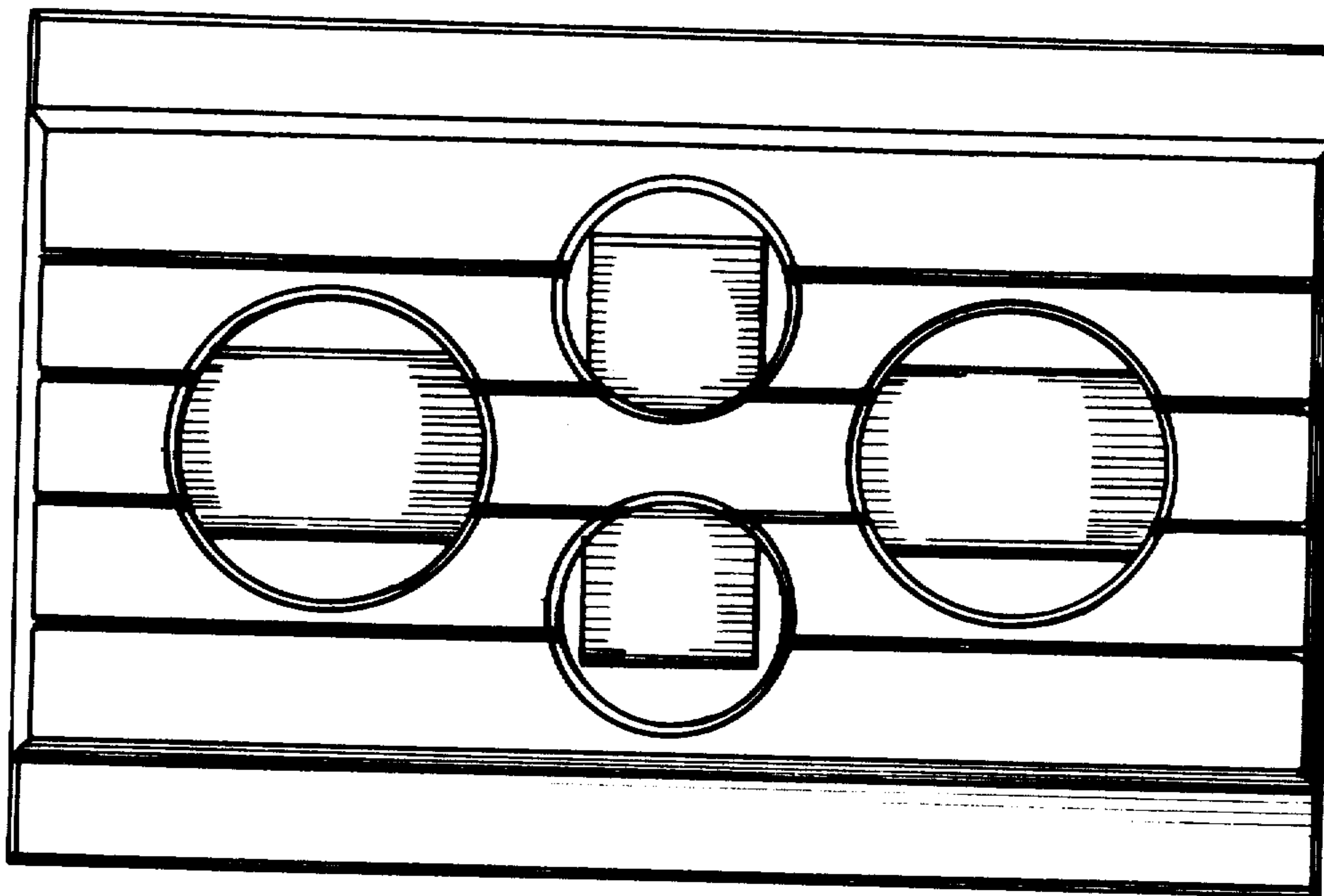
The ornamental design for a holder for condiment con-  
tainers, as shown and described.

**DESCRIPTION**

FIG. 1 is a front elevational view of a holder for condi-  
ment containers showing my new design, the front  
elevational view being identical to the rear elevational  
view, which is not shown;

FIG. 2 is a side elevational view thereof which is identi-  
cal to the opposite side elevational view, which is not  
shown;

FIG. 3 is a top plan view thereof; and  
FIG. 4 is a bottom plan view thereof.



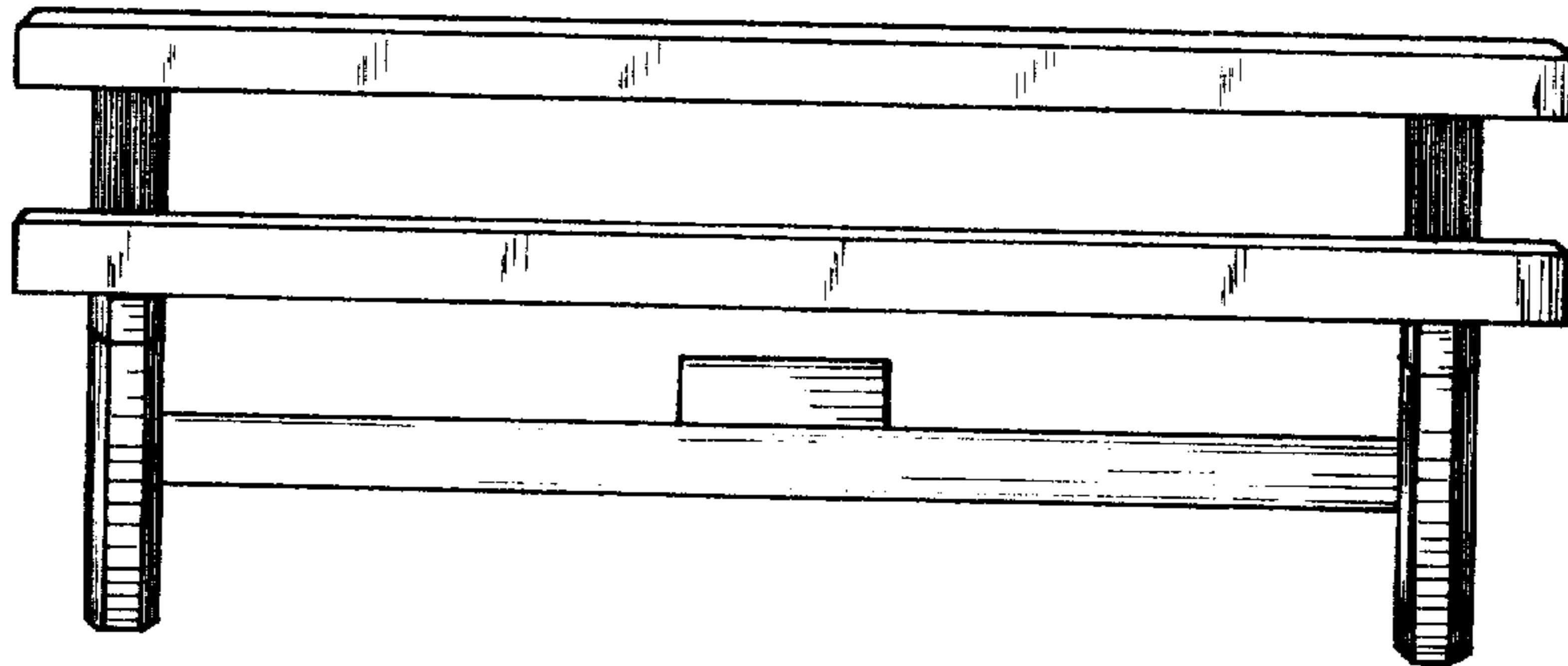


FIG-1

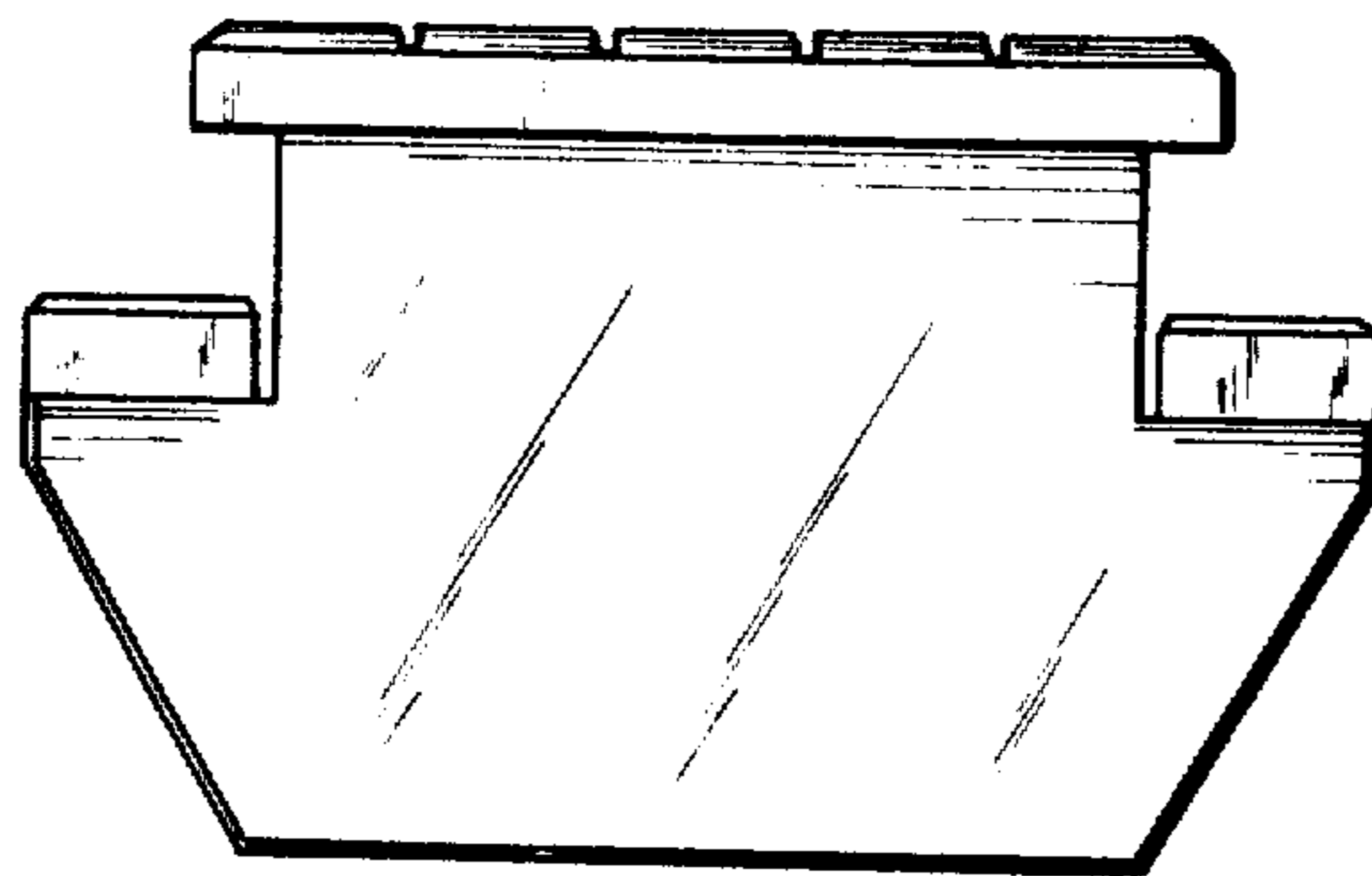


FIG-2

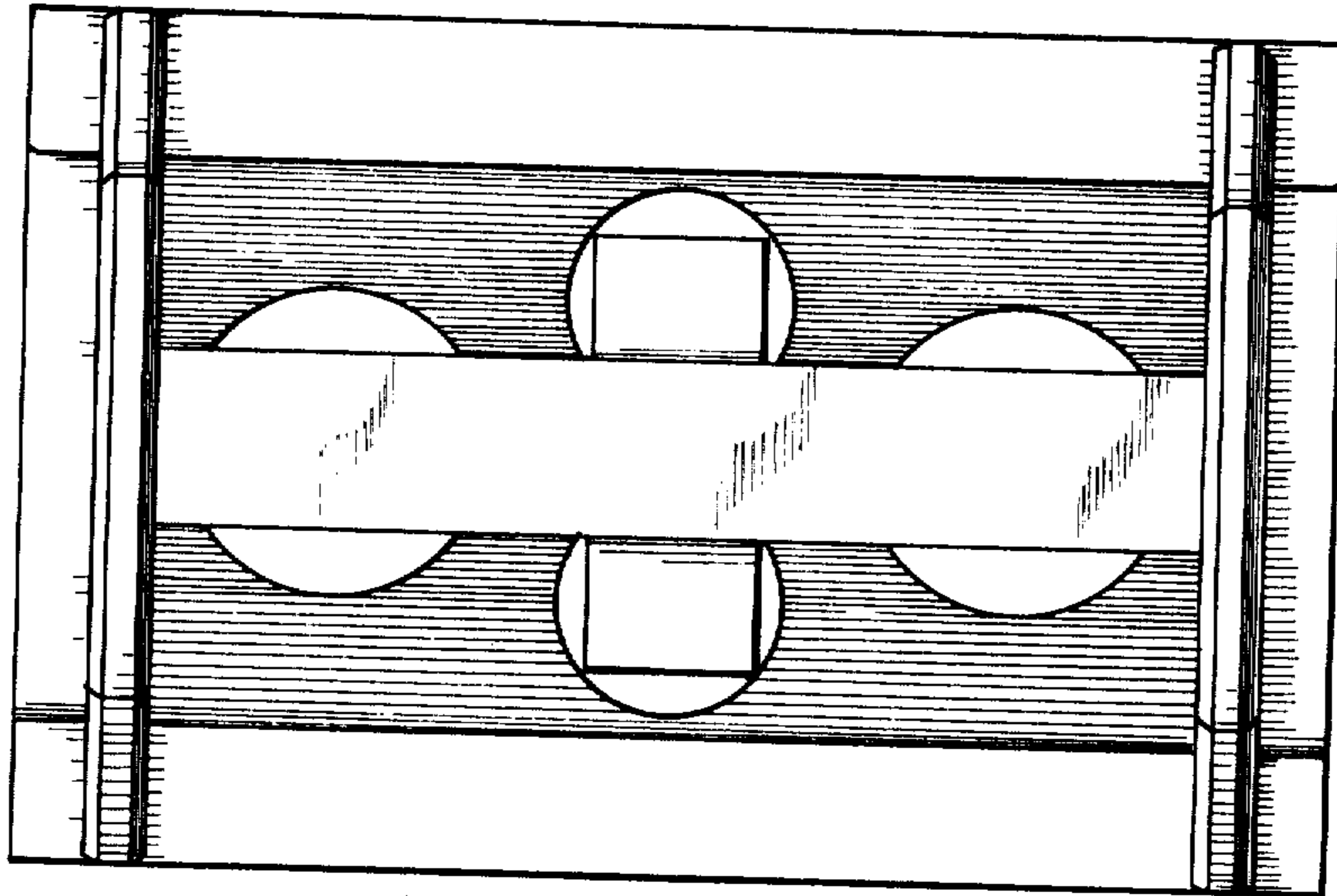


FIG-4

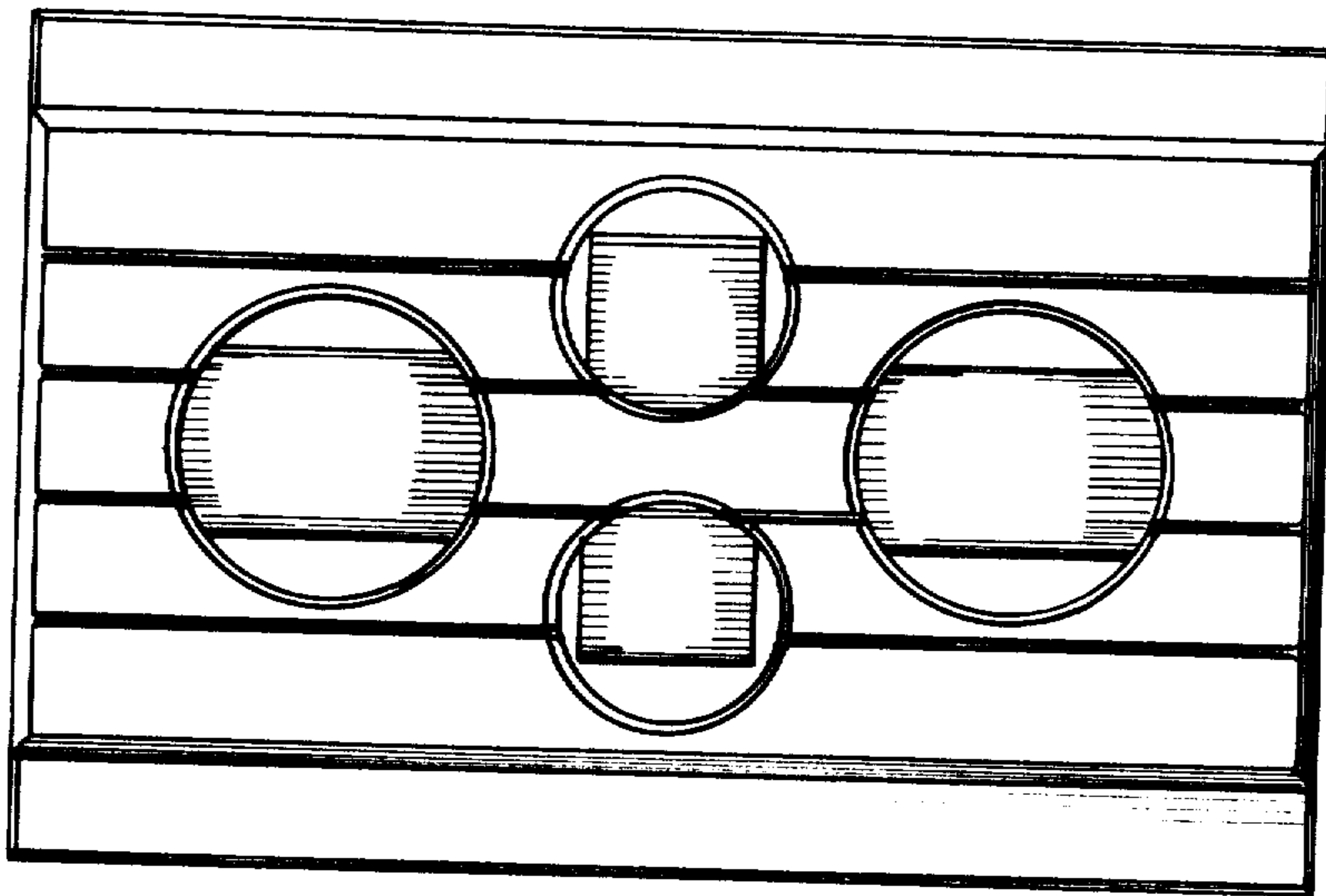


FIG-3