

[54] DISH OR THE LIKE

[75] Inventor: Robert H. C. M. Daenen, Hekelgem, Belgium

[73] Assignee: Dart Industries Inc., Los Angeles, Calif.

[\*\*] Term: 14 Years

[21] Appl. No.: 32,064

[22] Filed: Apr. 23, 1979

[51] Int. Cl. .... D7-01

[52] U.S. Cl. .... D7/1; D7/94

[58] Field of Search .... D7/37, 1, 21, 3, 16, D7/18, 45, 97, 94, 85; D11/155, 156, 143; D9/219, 242, 184, 187, 219

[56] References Cited

U.S. PATENT DOCUMENTS

- D. 178,074 6/1956 Lemieux ..... D9/187
- D. 240,957 8/1976 Burke et al. .... D7/45 X
- 3,858,786 1/1975 Vogt ..... D9/219 X

FOREIGN PATENT DOCUMENTS

- 2142495 3/1973 Fed. Rep. of Germany ..... 229/2.5
- 29754 6/1919 Norway ..... 220/74

OTHER PUBLICATIONS

*Food Processing Industry*, Nov./Dec. 1970, p. 118, Dring Ltd. Adv., Vacuum Formed Containers, tray at bottom left.

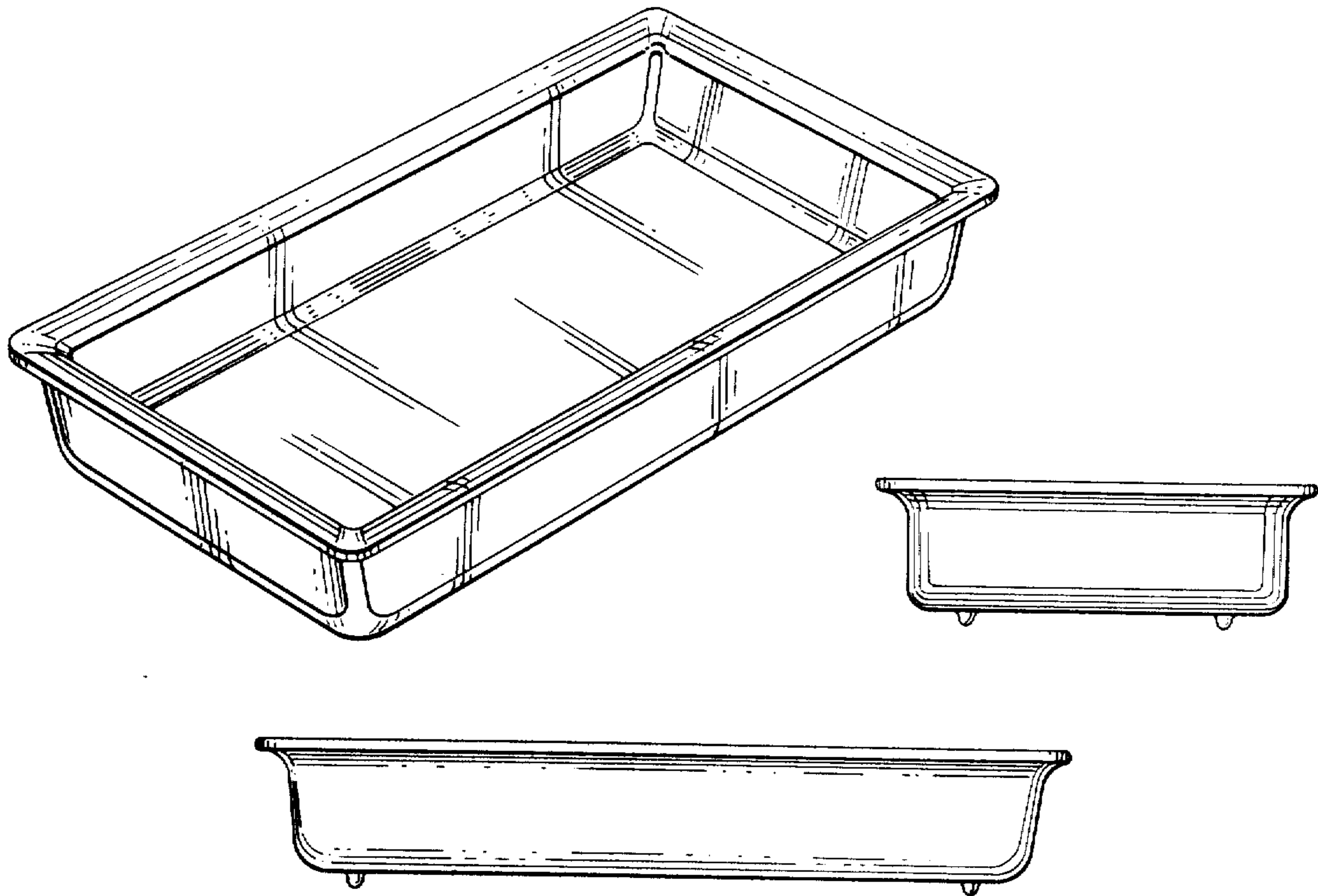
*Primary Examiner*—Winifred E. Herrmann  
*Attorney, Agent, or Firm*—Leigh B. Taylor

[57] CLAIM

The ornamental design for a dish or the like, substantially as shown and described.

DESCRIPTION

FIG. 1 is a top perspective view of a dish or the like showing my new design;  
 FIG. 2 is an end elevational view thereof;  
 FIG. 3 is a side elevational view thereof;  
 FIG. 4 is a top plan view thereof; and  
 FIG. 5 is a bottom plan view thereof.  
 The design is characterized by generally vertical side walls, outwardly diverging end walls, and a peripherally extending horizontally disposed rim which arcuately merges with the walls.



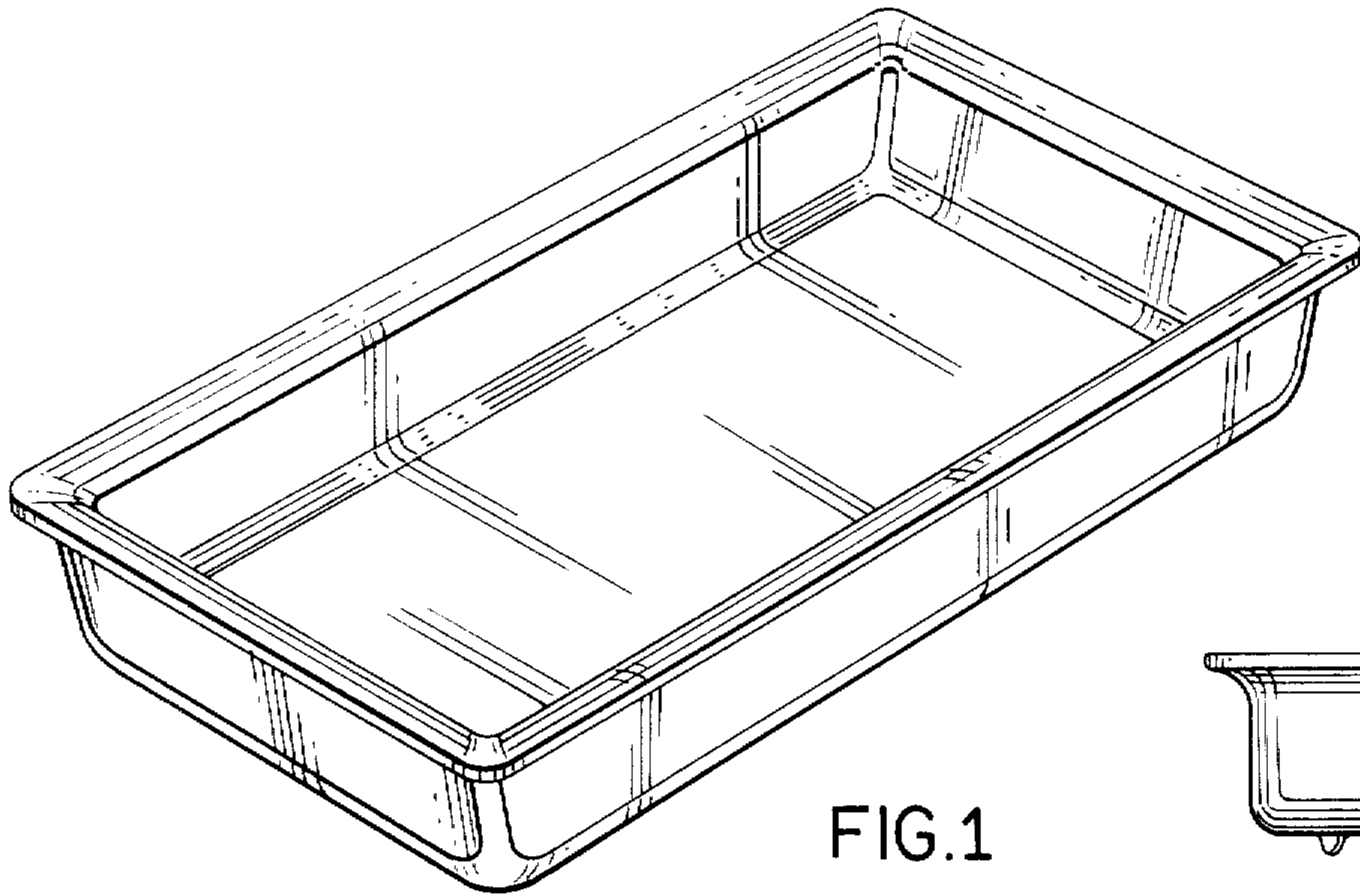


FIG. 1

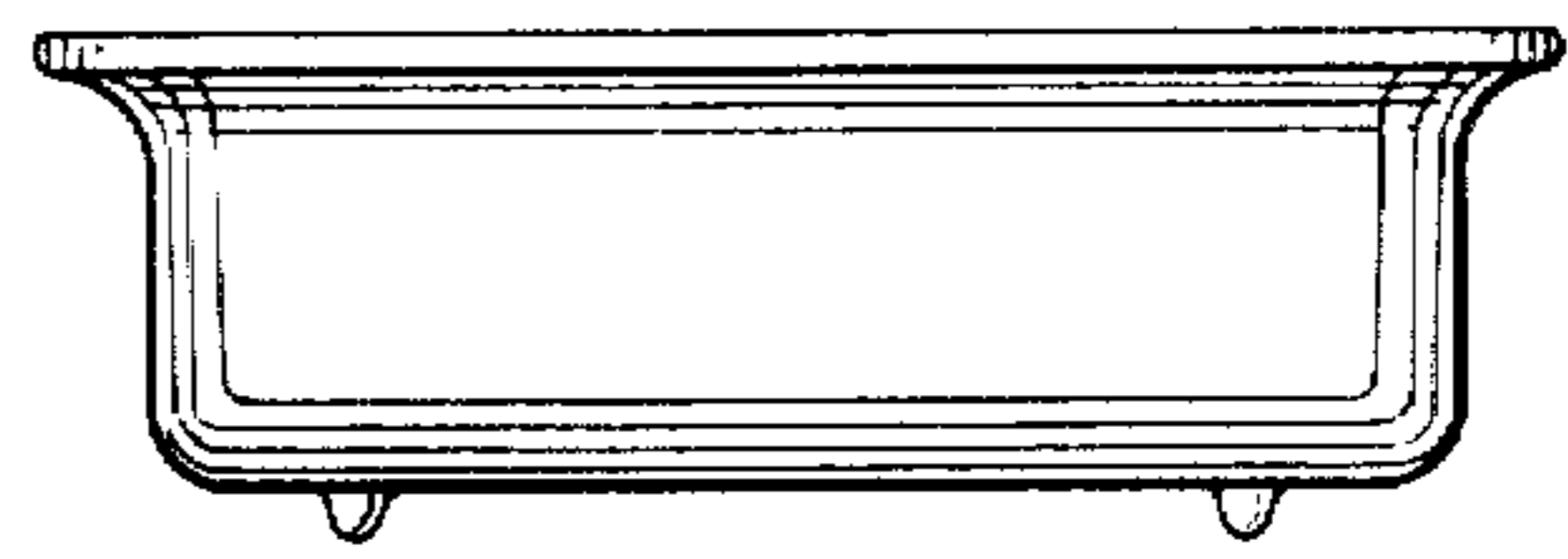


FIG. 2

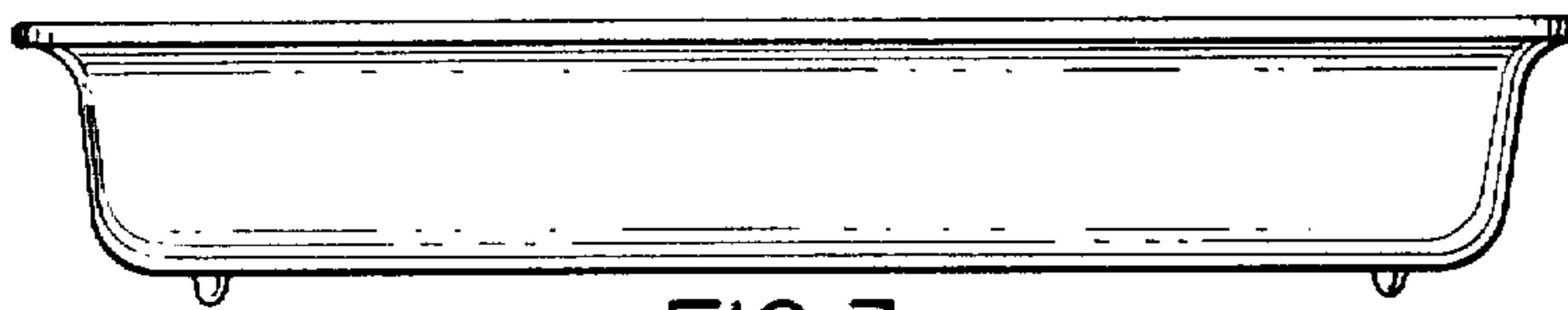


FIG. 3

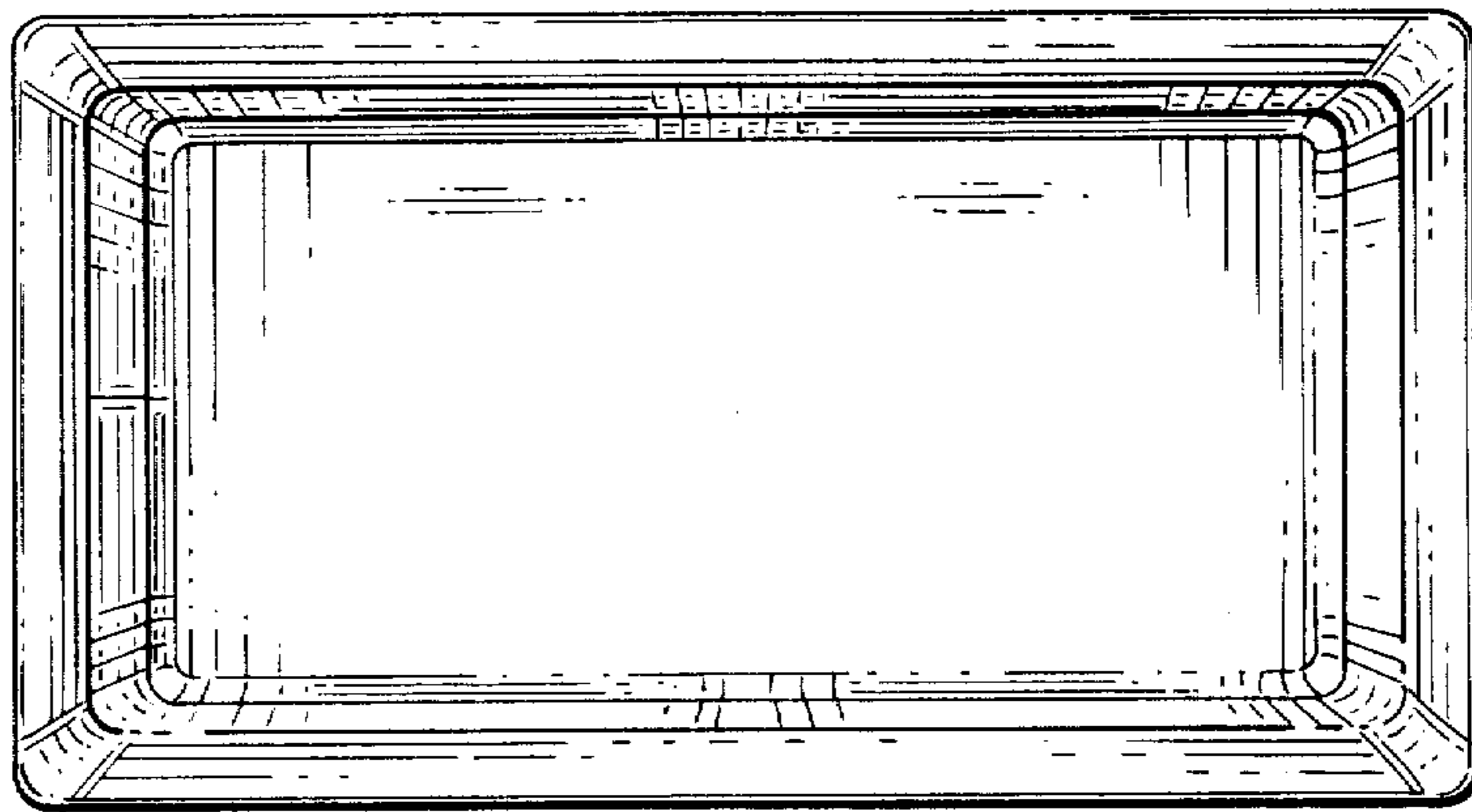


FIG. 4

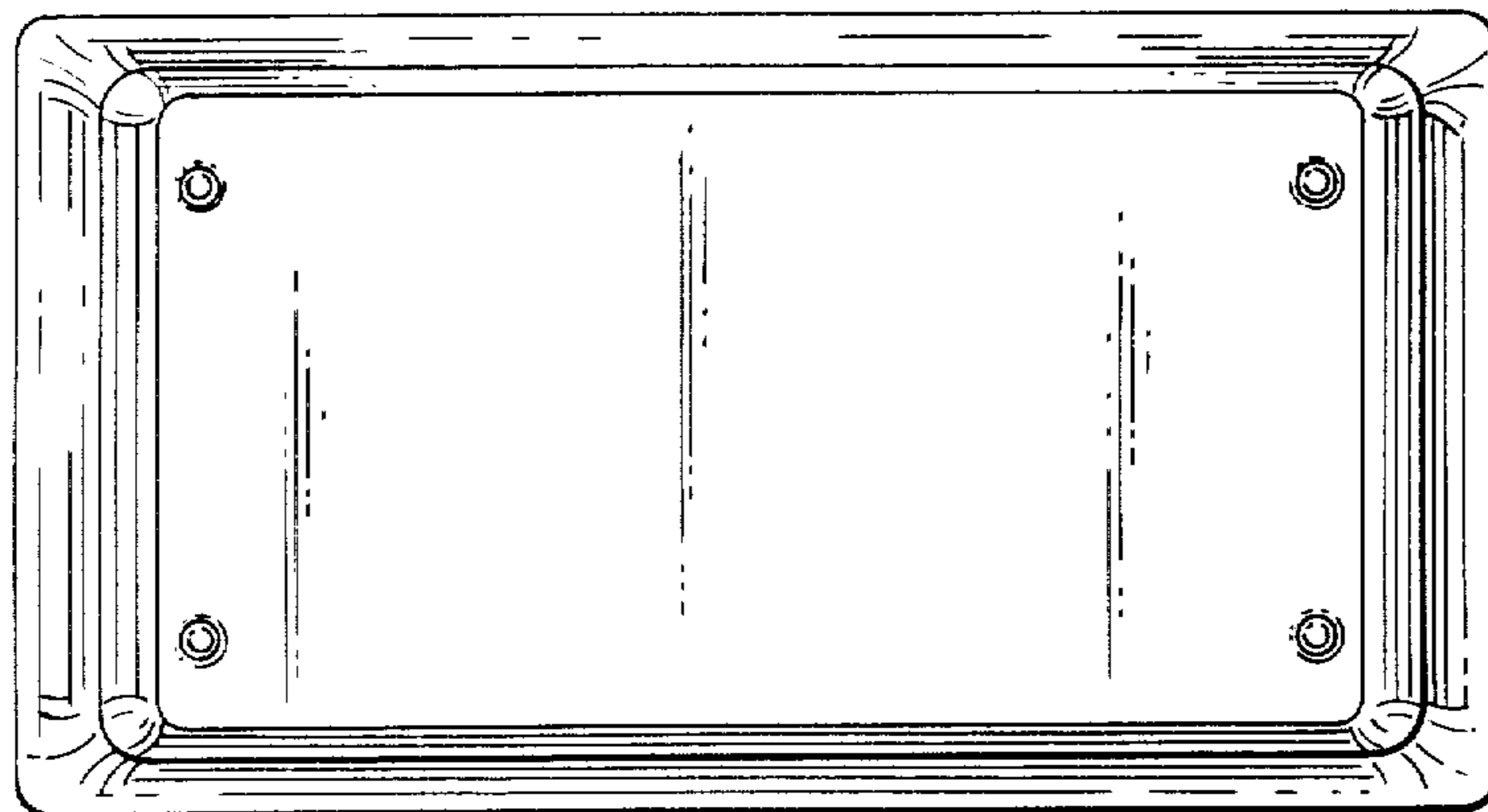


FIG. 5