

[54] **SPEAKER STAND**

[75] Inventor: **Ronald Ligrano**, Los Angeles, Calif.

[73] Assignee: **Thunderfoot Engineering**, Los Angeles, Calif.

[**] Term: **14 Years**

[21] Appl. No.: **40,928**

[22] Filed: **May 21, 1979**

[51] Int. Cl. **D6-99**
[52] U.S. Cl. **D6/85; D6/196**
[58] Field of Search **D6/85, 183, 184, 185,**
D6/194, 196, 191, 175; 248/176

[56] **References Cited**

U.S. PATENT DOCUMENTS

D. 239,487 4/1976 Hysten D6/175
D. 241,690 10/1976 Andrews D6/183
1,425,846 8/1922 Franks D6/85 X

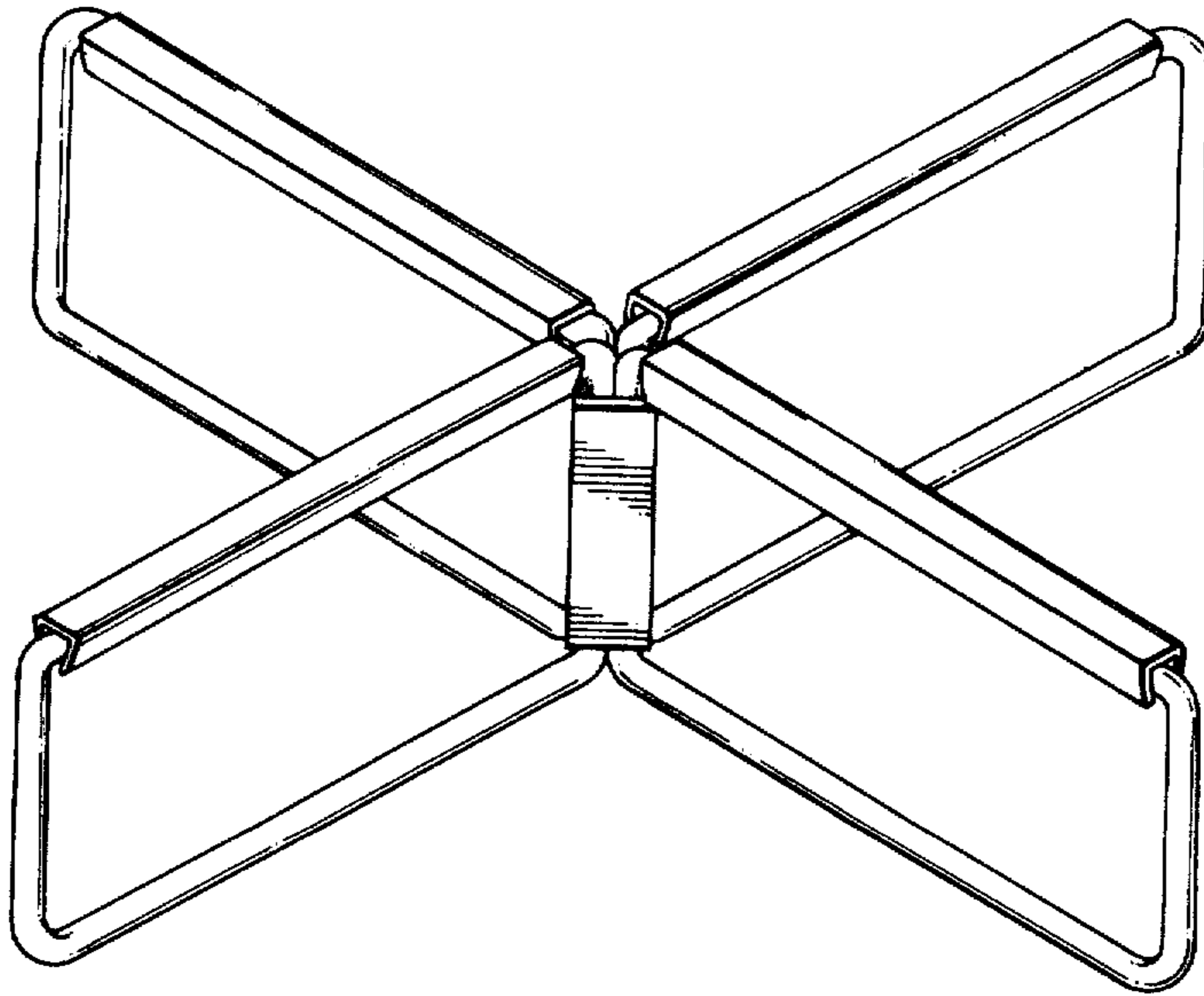
Primary Examiner—Lester L. Lee
Attorney, Agent, or Firm—Lyon & Lyon

[57] **CLAIM**

The ornamental design for a speaker stand, as shown and described.

DESCRIPTION

FIG. 1 is a perspective view of a speaker stand showing my new design;
FIG. 2 is a bottom plan view thereof;
FIG. 3 is a side elevational view thereof.



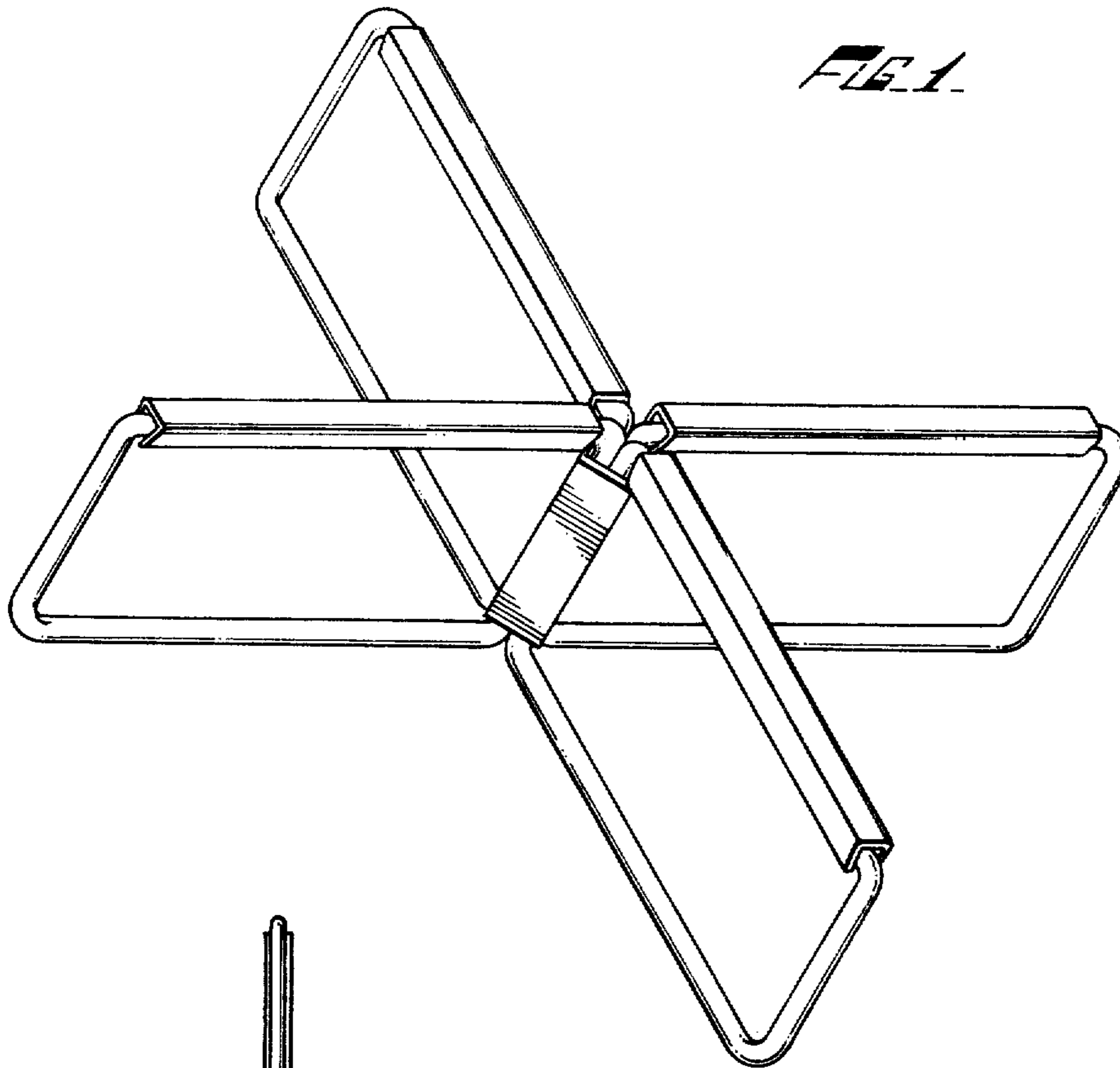


FIG. 1.

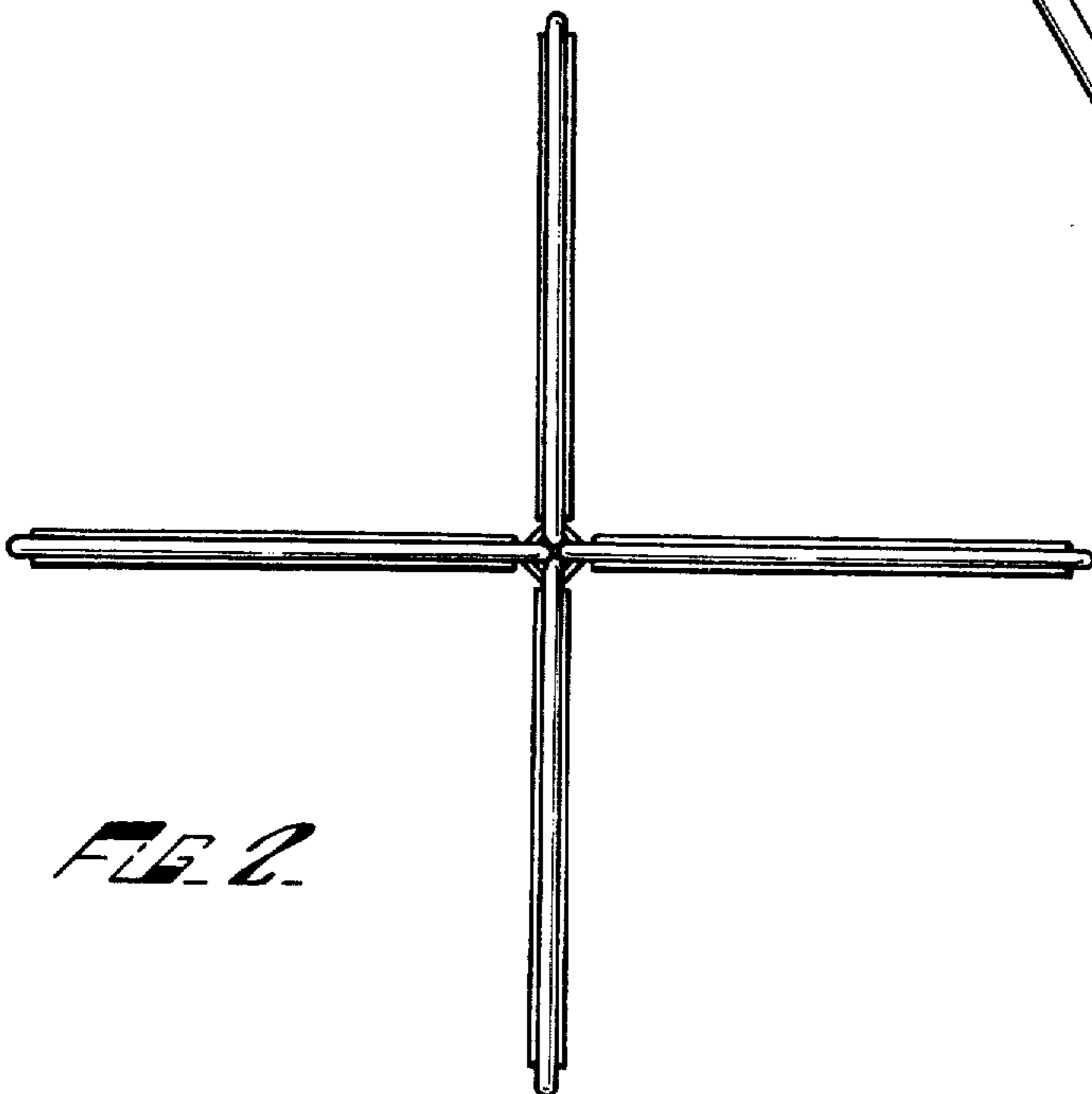


FIG. 2.

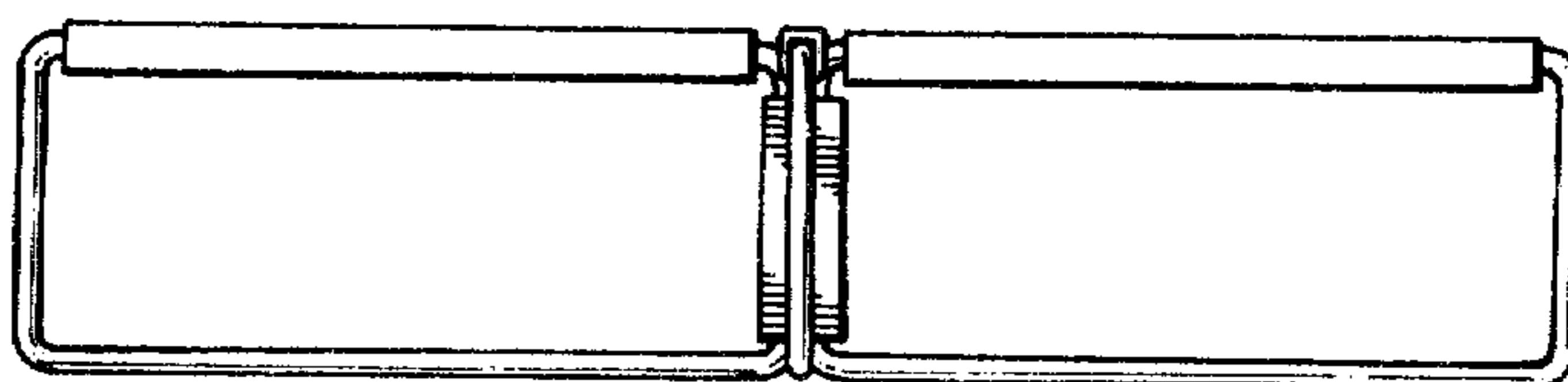


FIG. 3.