

- [54] PORTABLE CLOTHES HANGER
- [76] Inventor: George E. Parker, 1408 W. 8 St.,
Roswell, N. Mex. 88201
- [**] Term: 14 Years
- [21] Appl. No.: 115,408
- [22] Filed: Jan. 25, 1980
- [51] Int. Cl. D6-06; D8-08
- [52] U.S. Cl. D6/28; D6/116;
D8/373
- [58] Field of Search D6/114, 116, 20, 28,
D6/124; D8/373; 248/206 R, 300; 224/42.45
A, 42.46 A, 313, 320; 211/87

- [56] **References Cited**
U.S. PATENT DOCUMENTS
- D. 128,287 7/1941 Lauronen D6/116
- D. 191,944 12/1961 Reynolds D6/124
- D. 213,065 12/1968 Cohen D6/116
- D. 230,936 3/1974 Pepper D6/116

2,514,790 7/1950 Ostrow 224/42.45 A
2,558,911 7/1951 Penn 248/206 R

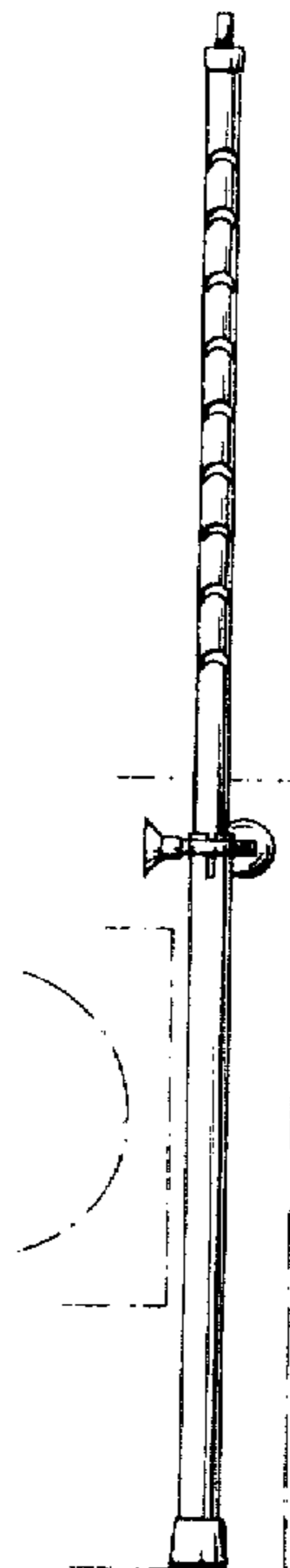
Primary Examiner—B. J. Bullock
Attorney, Agent, or Firm—Dunlap, Coddling &
McCarthy

[57] CLAIM

The ornamental design for a portable clothes hanger, as shown and described.

DESCRIPTION

FIG. 1 is a front elevational view of a portable clothes hanger showing my new design, the broken line showing of the front of a clothes dryer being for illustrative purposes only;
FIG. 2 is a rear elevational view thereof;
FIG. 3 is a side elevational view taken from the right of FIG. 1;
FIG. 4 is a side elevational view taken from the left of FIG. 1;
FIG. 5 is a top plan view thereof;
FIG. 6 is a bottom plan view thereof.



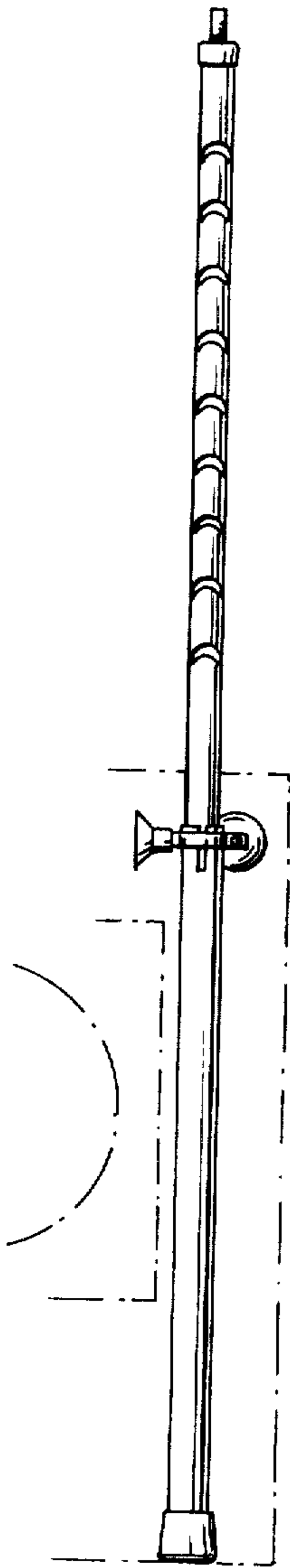


FIG. 1

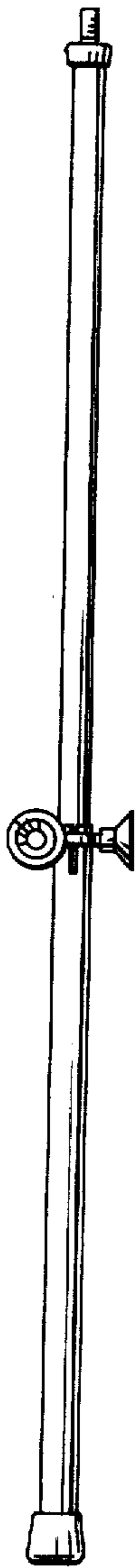


FIG. 2



FIG. 3

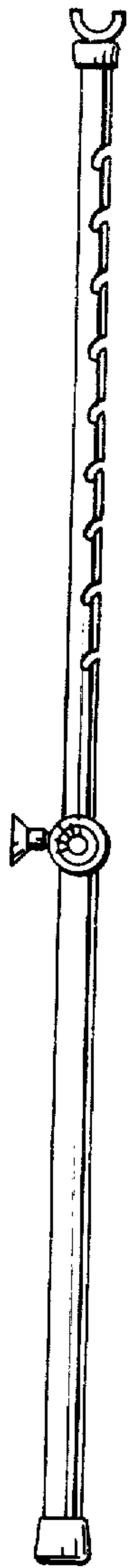


FIG. 4



FIG. 5



FIG. 6