

[54] MUSICAL INSTRUMENT AND ACCESSORY STAND

[76] Inventor: **Richard L. Plummer**, 1720 Newport Ave., Apt. 1, Long Beach, Calif. 90804

[\*\*] Term: **14 Years**

[21] Appl. No.: **28,506**

[22] Filed: **Apr. 9, 1979**

[51] Int. Cl. .... **D06-06**

[52] U.S. Cl. .... **D6/28; D6/25; 84/421; 248/121**

[58] Field of Search ..... **D6/18, 19, 20, 23, 24, D6/25, 29, 30, 31, 85, 28; D17/13, 20, 99; 211/205; 248/121, 127; 84/421**

[56]

**References Cited**

**U.S. PATENT DOCUMENTS**

D. 83,982	4/1931	Lyons .....	D6/20
D. 127,494	5/1941	Wesling .....	D6/29
D. 174,739	5/1955	Crockett, Jr. ....	D6/28
3,322,381	5/1967	Bubb .....	248/121

*Primary Examiner*—Joel Stearman  
*Assistant Examiner*—Carmen H. Vales  
*Attorney, Agent, or Firm*—Patrick J. Schlesinger

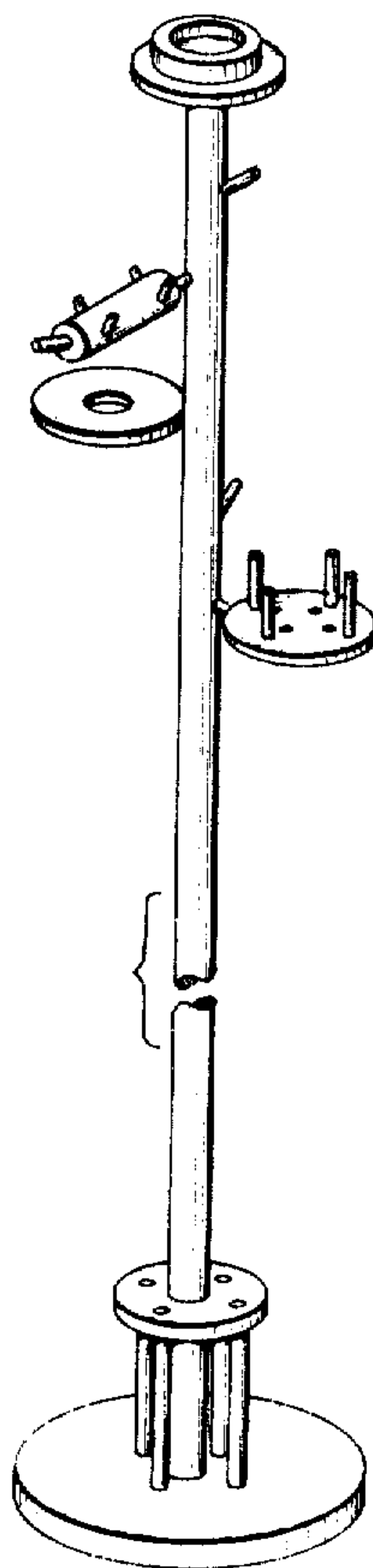
[57]

**CLAIM**

The ornamental design for a musical instrument and accessory stand, substantially as shown and described.

**DESCRIPTION**

FIG. 1 is a perspective view of a musical instrument and accessory stand showing my new design; a portion of the vertical shaft being broken away for convenience of illustration; and FIG. 2 is a top plan view thereof.



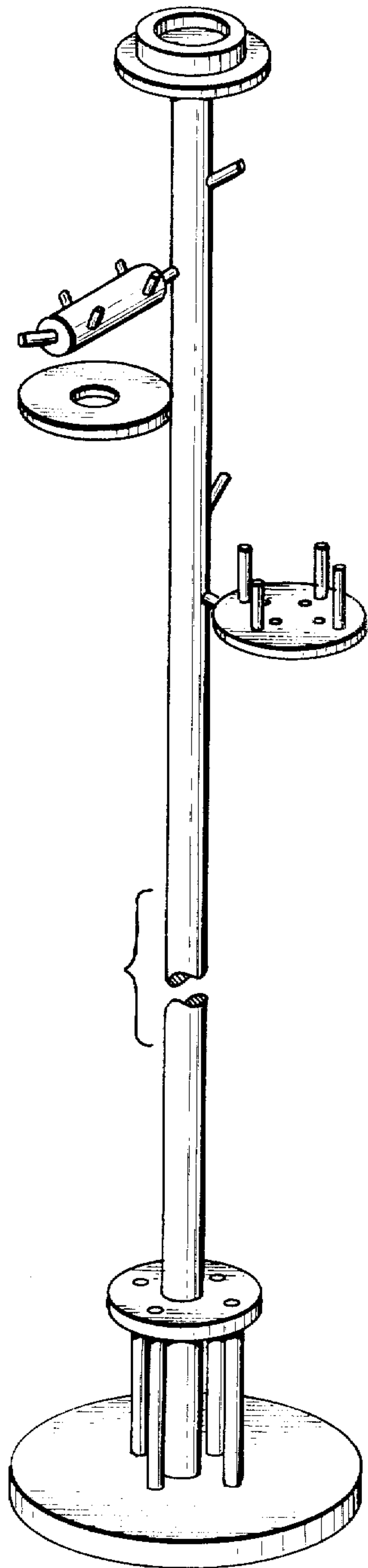


Fig. 1

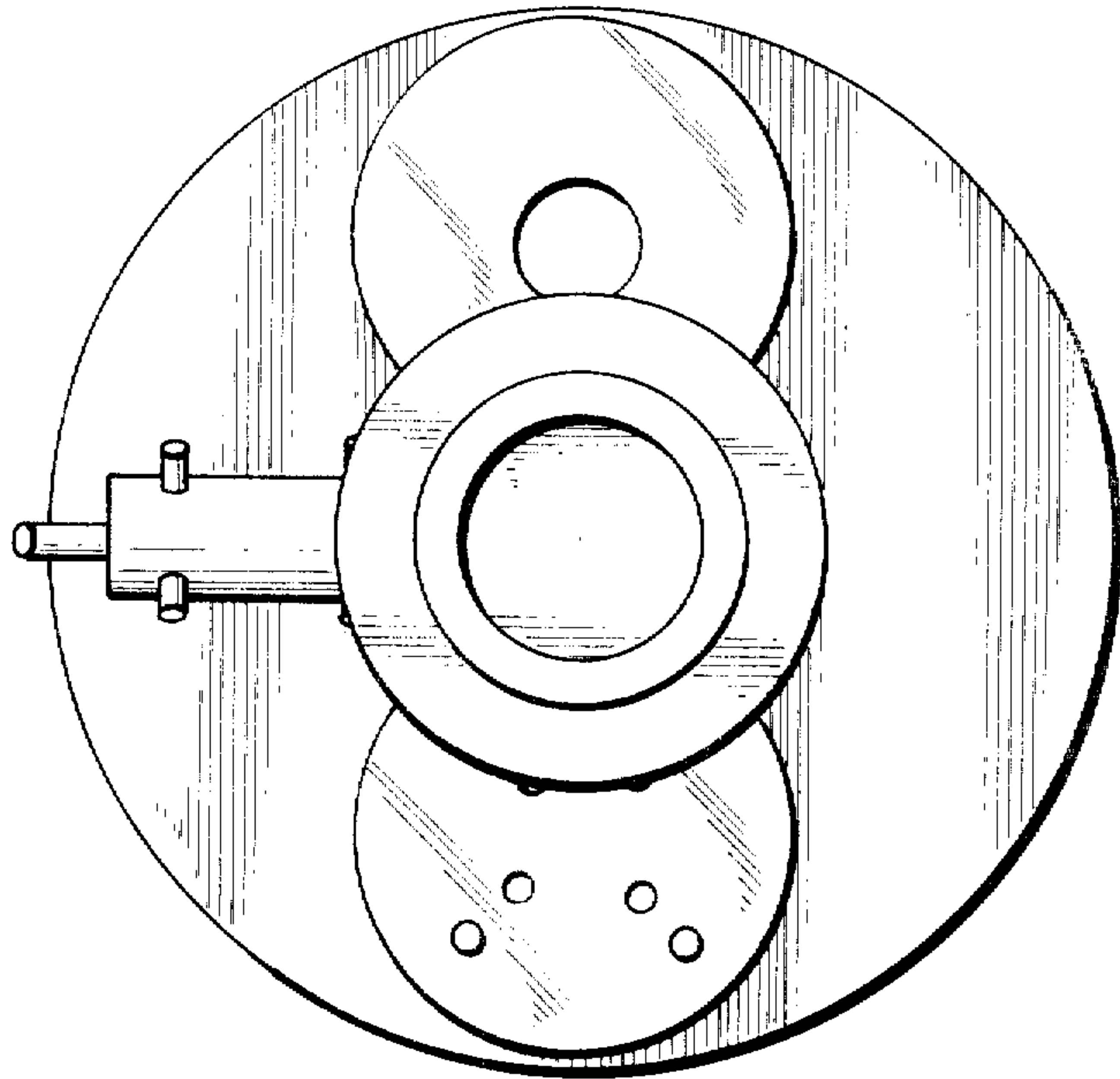


Fig. 2