

[54] CASE FOR A PHONOGRAPH OR THE LIKE

[56]

References Cited

[75] Inventor: Kenneth R. Wilkes, East Aurora, N.Y.

U.S. PATENT DOCUMENTS

D. 212,390	10/1968	Bernard	D14/16
D. 216,966	3/1970	Belokin	D3/73 X
D. 226,292	2/1973	Bienkowski	D3/73 X
D. 232,597	8/1974	Sias	D3/73 X
D. 252,392	7/1979	Vong	D14/14

[73] Assignee: The Quaker Oats Company, Chicago, Ill.

Primary Examiner—Jane E. Corrigan
Attorney, Agent, or Firm—Cumpston & Shaw

[**] Term: 14 Years

[57] CLAIM

[21] Appl. No.: 111,288

The ornamental design for a case for a phonograph or the like, substantially as shown and described.

[22] Filed: Jan. 11, 1980

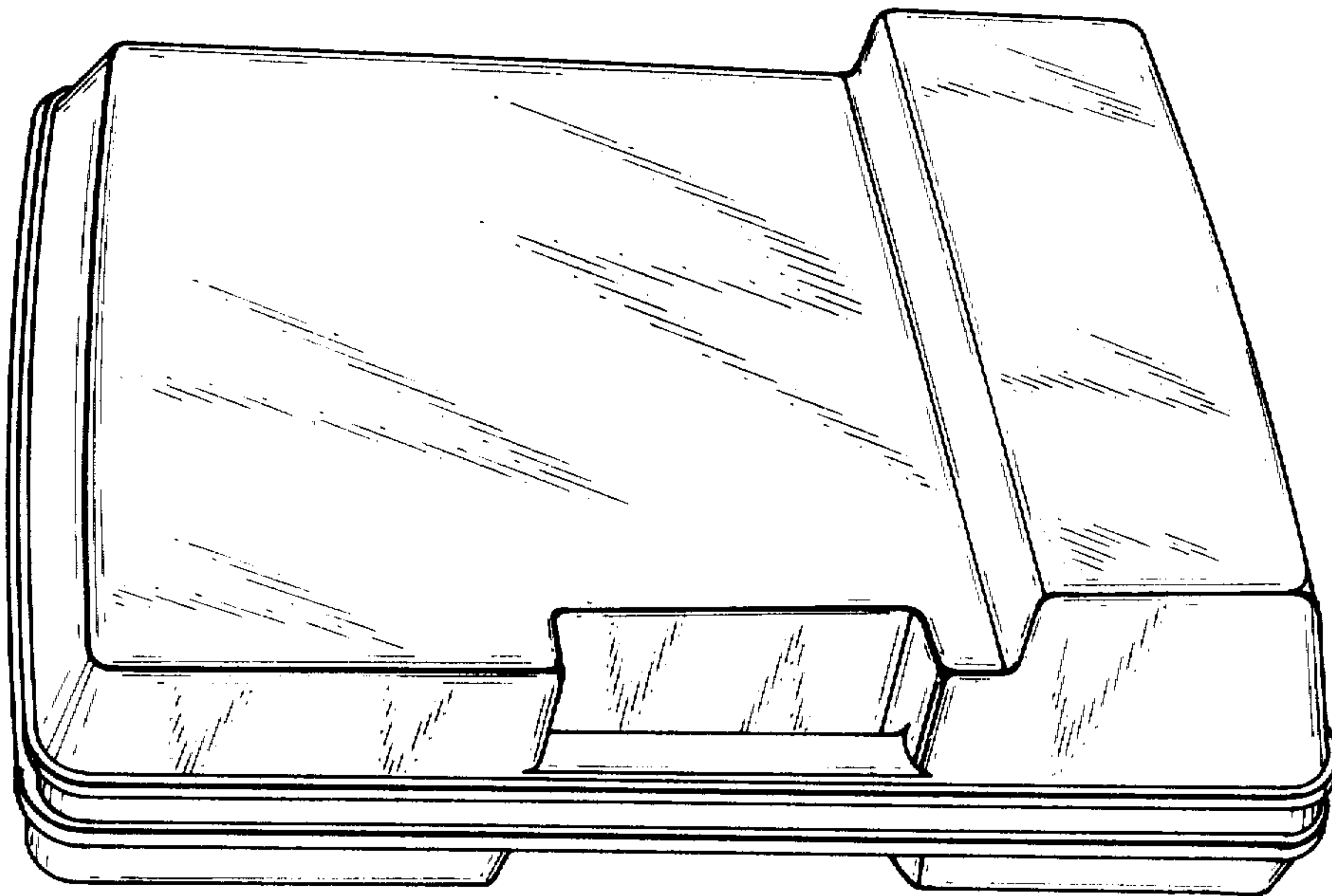
DESCRIPTION

[51] Int. Cl. D3—02

[52] U.S. Cl. D3/73; D14/16

[58] Field of Search D14/14, 16, 17, 1, 25; D3/73

FIG. 1 is a front perspective view of a case for a phonograph or the like showing my new design; FIG. 2 is a right side elevational view thereof; FIG. 3 is a rear elevational view thereof; and FIG. 4 is a bottom plan view thereof.



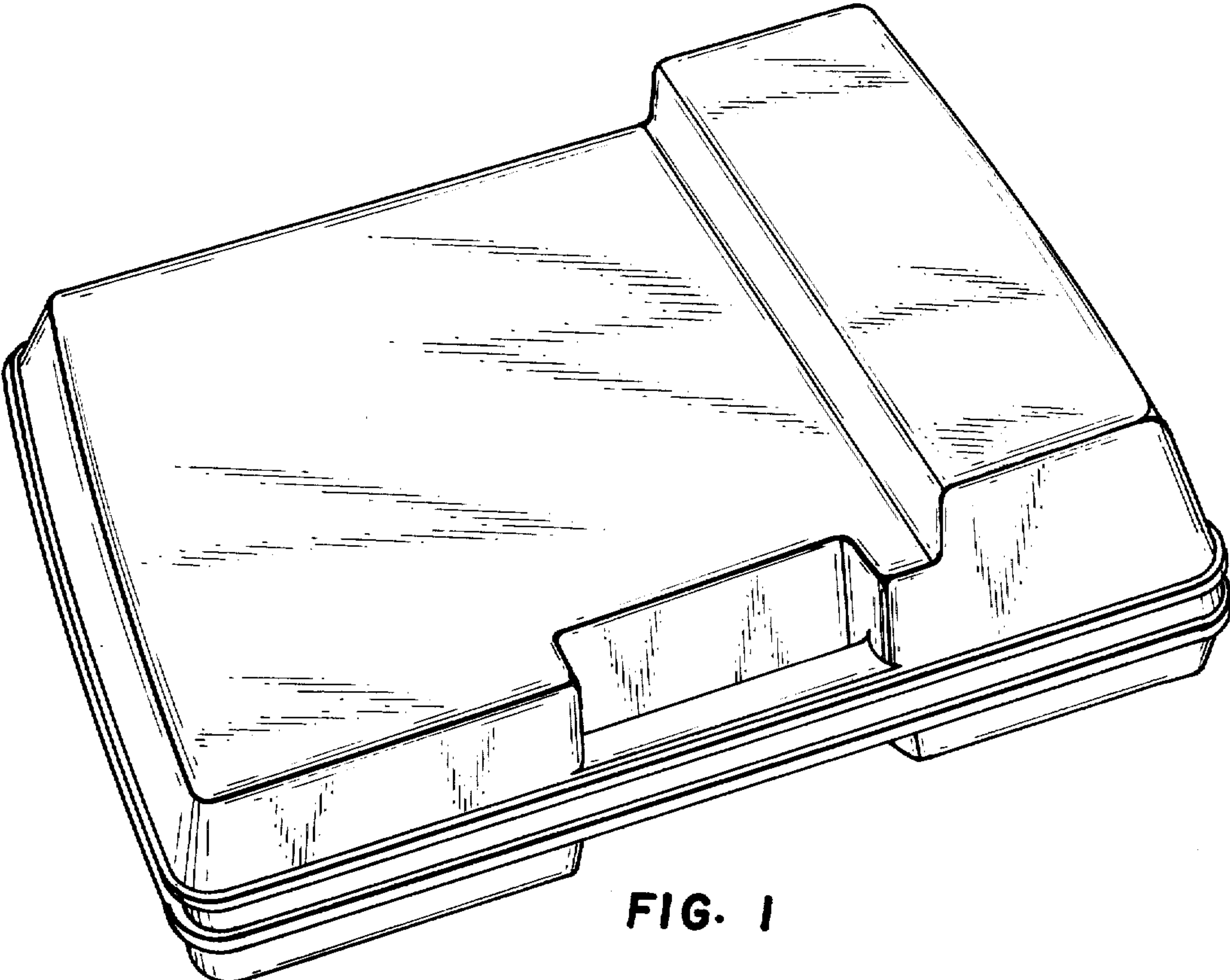


FIG. 1

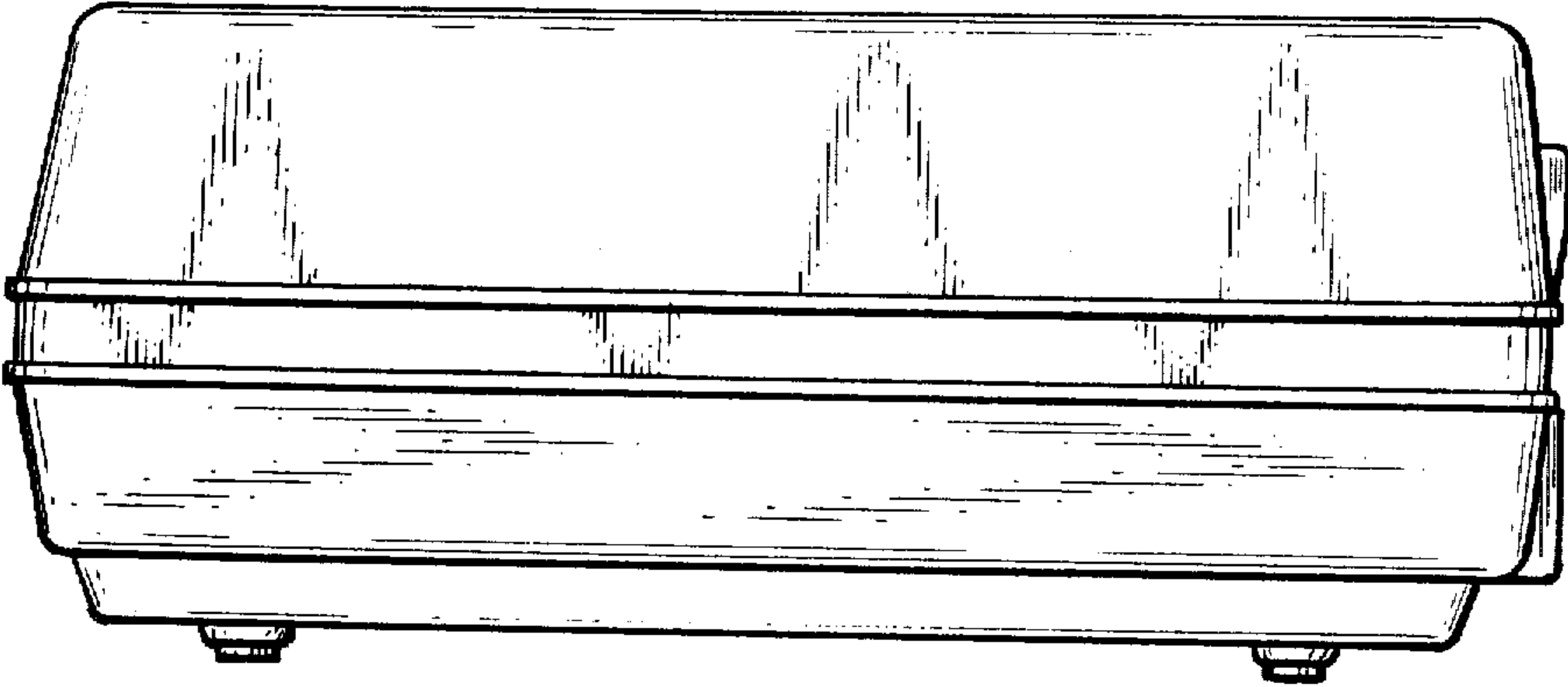


FIG. 2

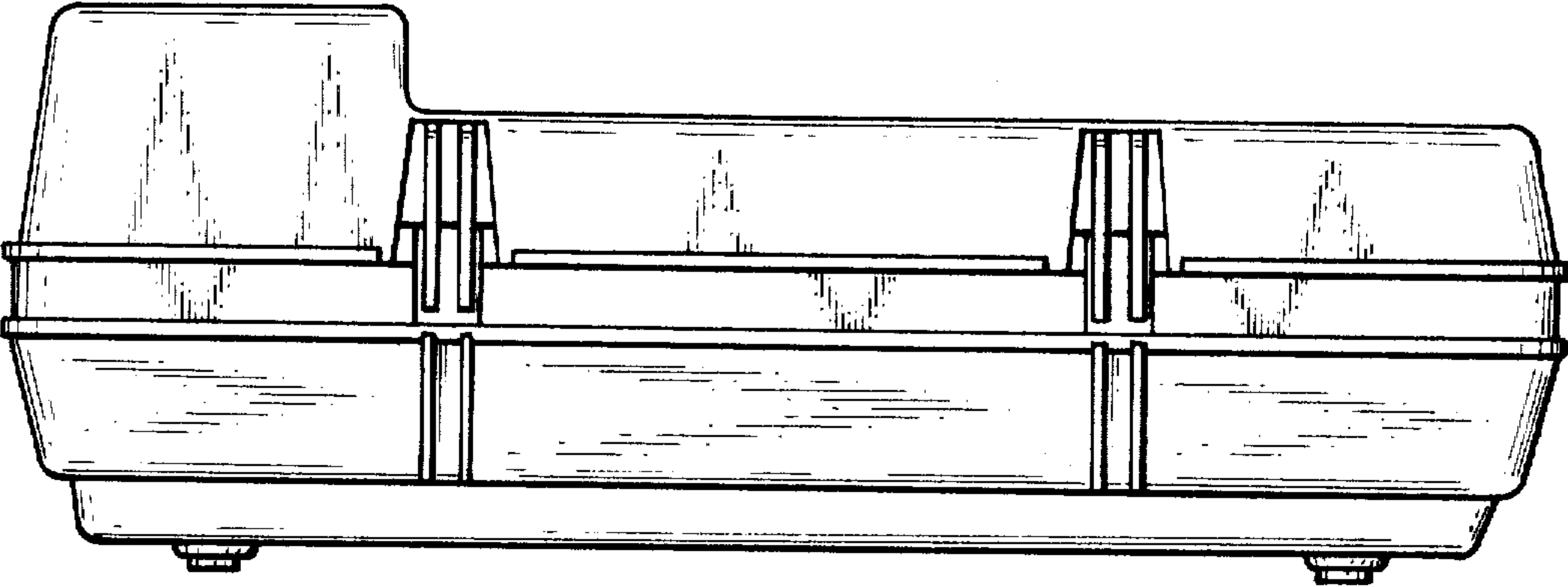


FIG. 3

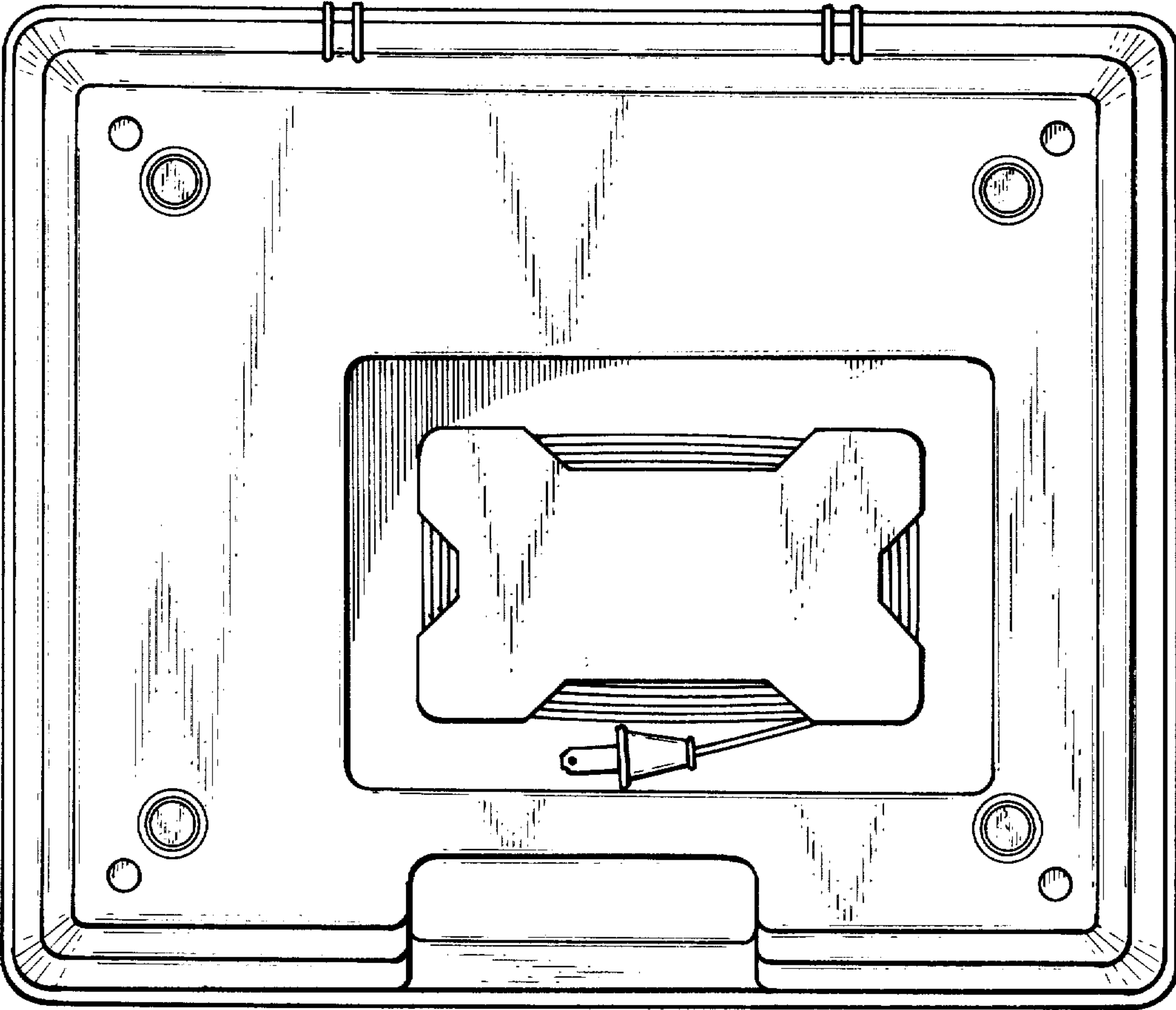


FIG. 4