

[54] BELT ATTACHABLE SPRAY CAN HOLSTER

[76] Inventor: John M. Humble, 2027 15th St. S.,  
Seattle, Wash. 98144

[\*\*] Term: 14 Years

[21] Appl. No.: 288

[22] Filed: Jan. 2, 1979

[51] Int. Cl. .... D2-99; D6-06

[52] U.S. Cl. .... D2/400; D6/130

[58] Field of Search ..... D6/85, 86, 114, 125,  
D6/130, 131; 211/13, 60 R, 60 T, 75, 87, 88, 90;  
248/309 R; D2/400; 224/195, 253, 904

[56] References Cited

U.S. PATENT DOCUMENTS

- D. 171,359 1/1954 Keyston ..... D2/400  
D. 181,646 12/1957 Hashem ..... D6/130

- D. 208,289 8/1967 Feuerer ..... D2/400  
D. 212,426 10/1968 Lane ..... D6/86  
782,357 2/1905 Pogue ..... 224/253  
904,968 11/1908 Kocher ..... 211/60 T  
969,524 9/1910 Condon ..... 224/253

Primary Examiner—B. J. Bullock  
Attorney, Agent, or Firm—W. Britton Moore

[57] CLAIM

The ornamental design for a belt attachable spray can holster, substantially as shown.

DESCRIPTION

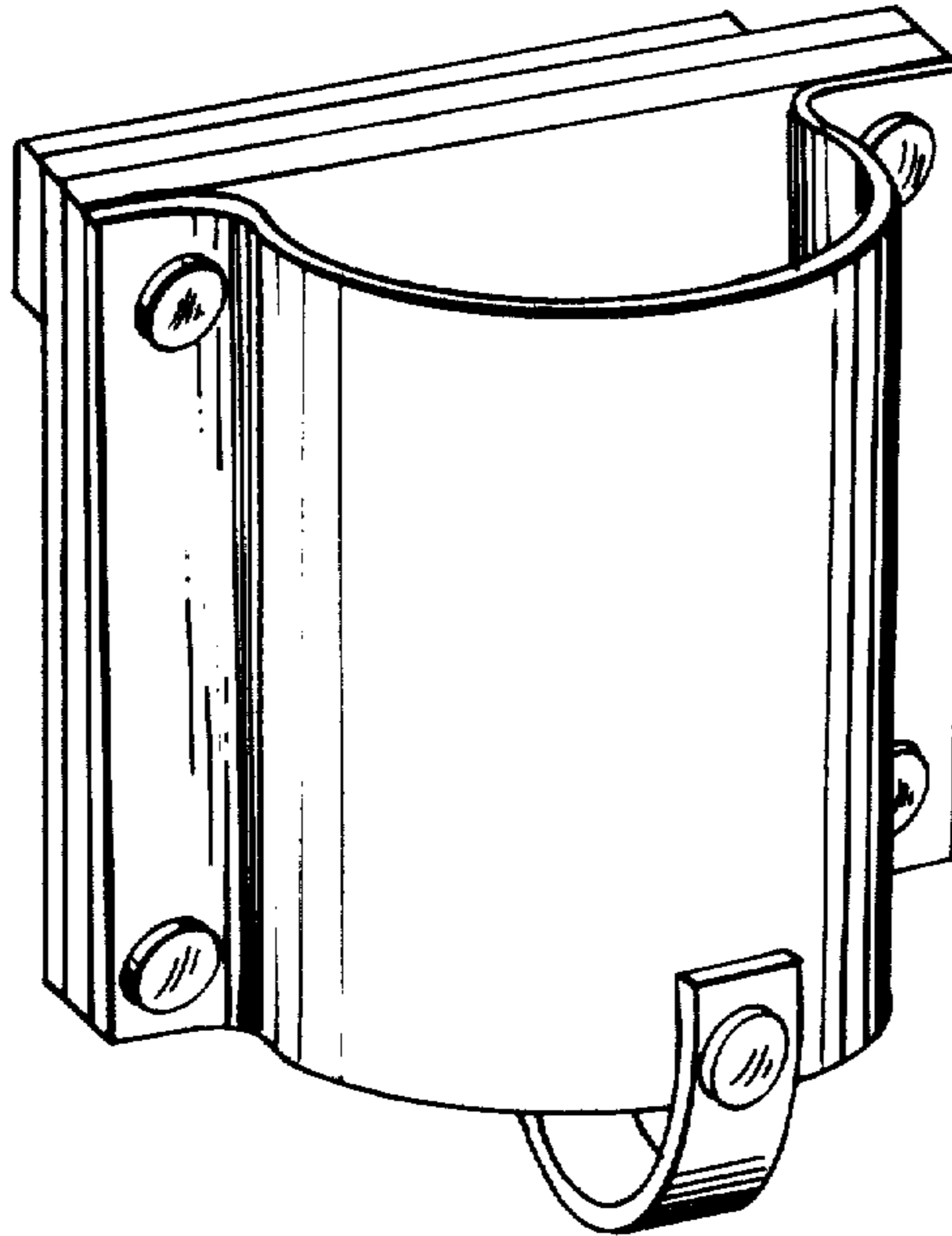
FIG. 1 is a perspective view of a belt attachable spray can holster showing my new design;

FIG. 2 is a rear elevation;

FIG. 3 is a top plan view;

FIG. 4 is a side elevation; and

FIG. 5 is a bottom plan view.



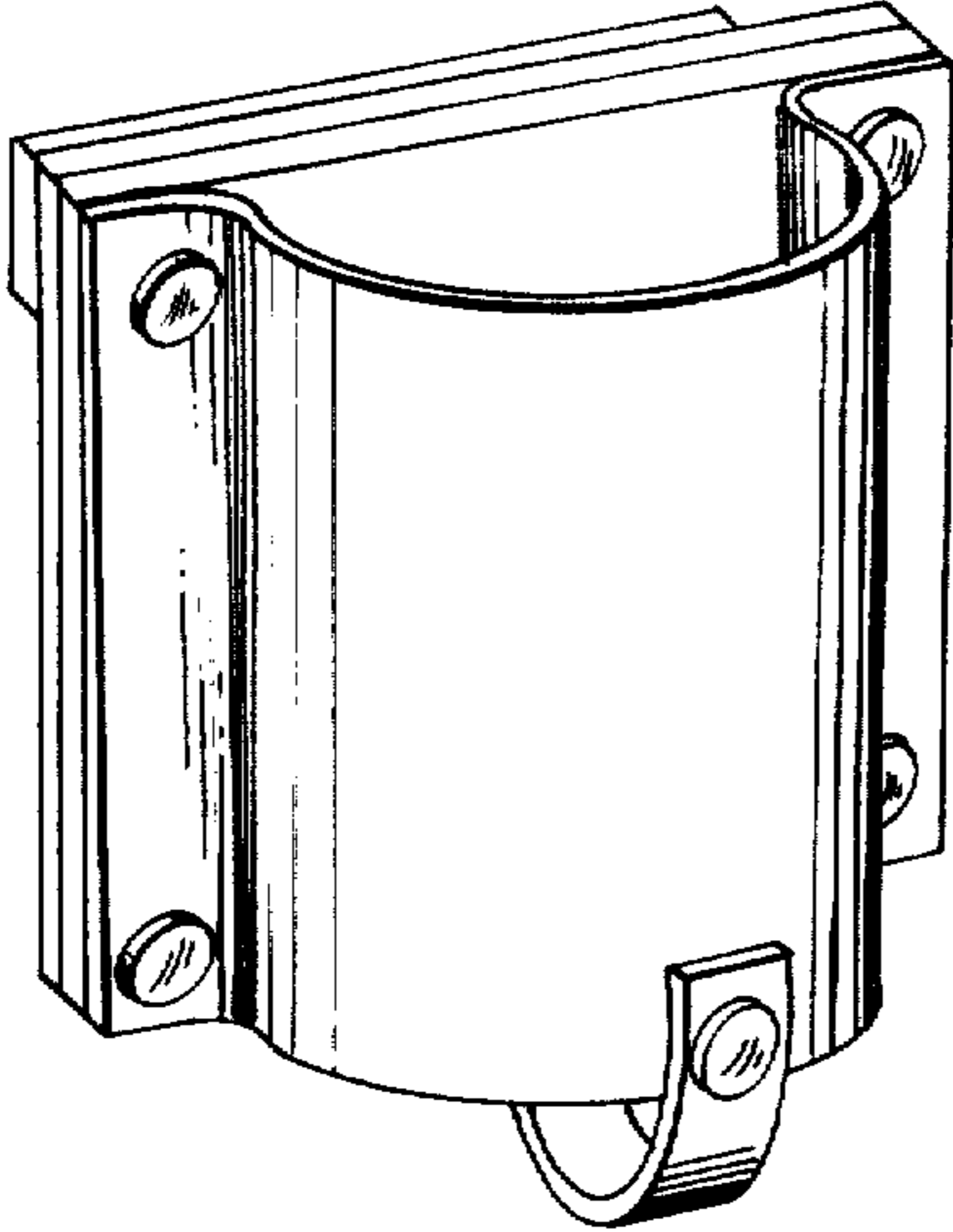


FIG. 1

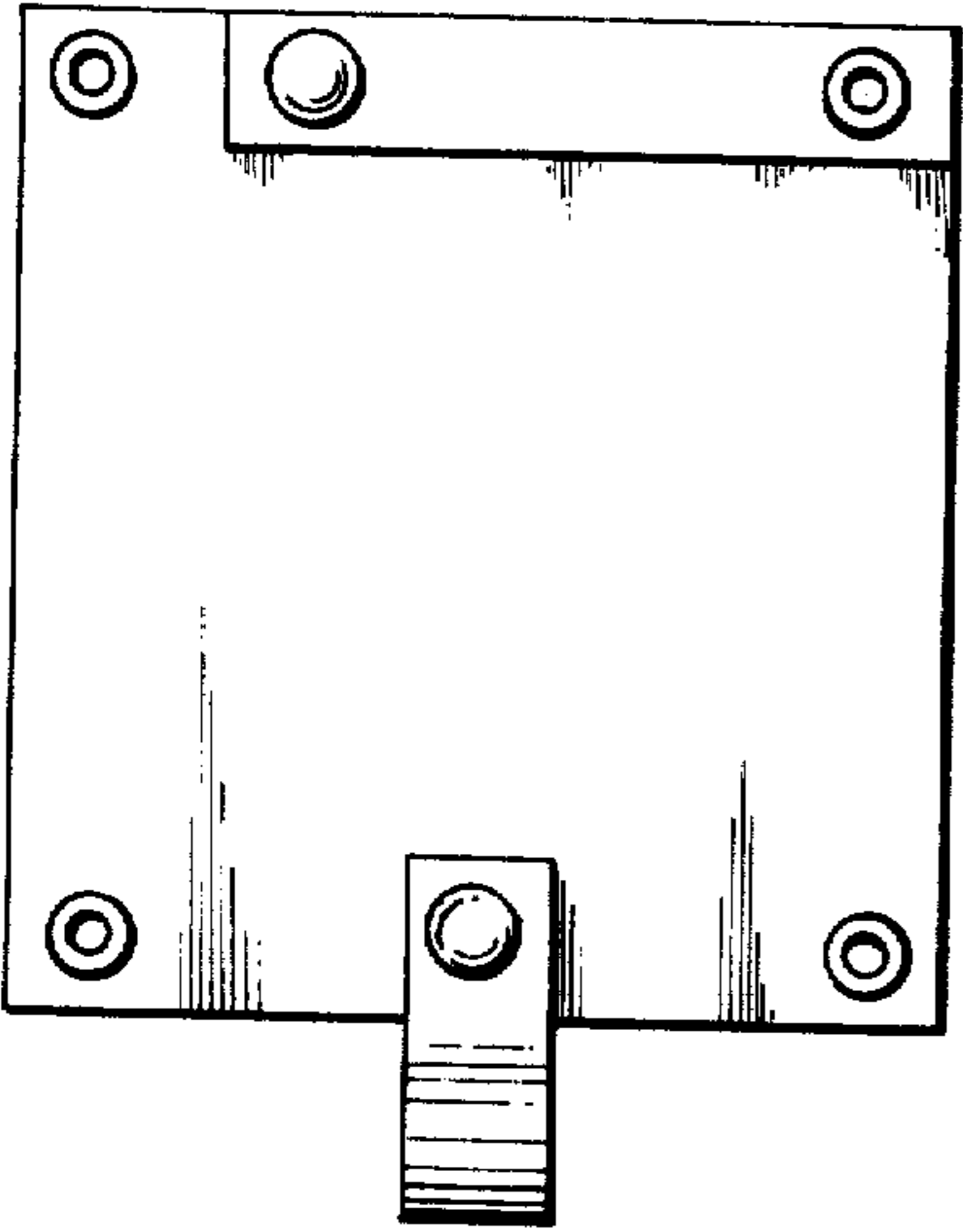


FIG. 2

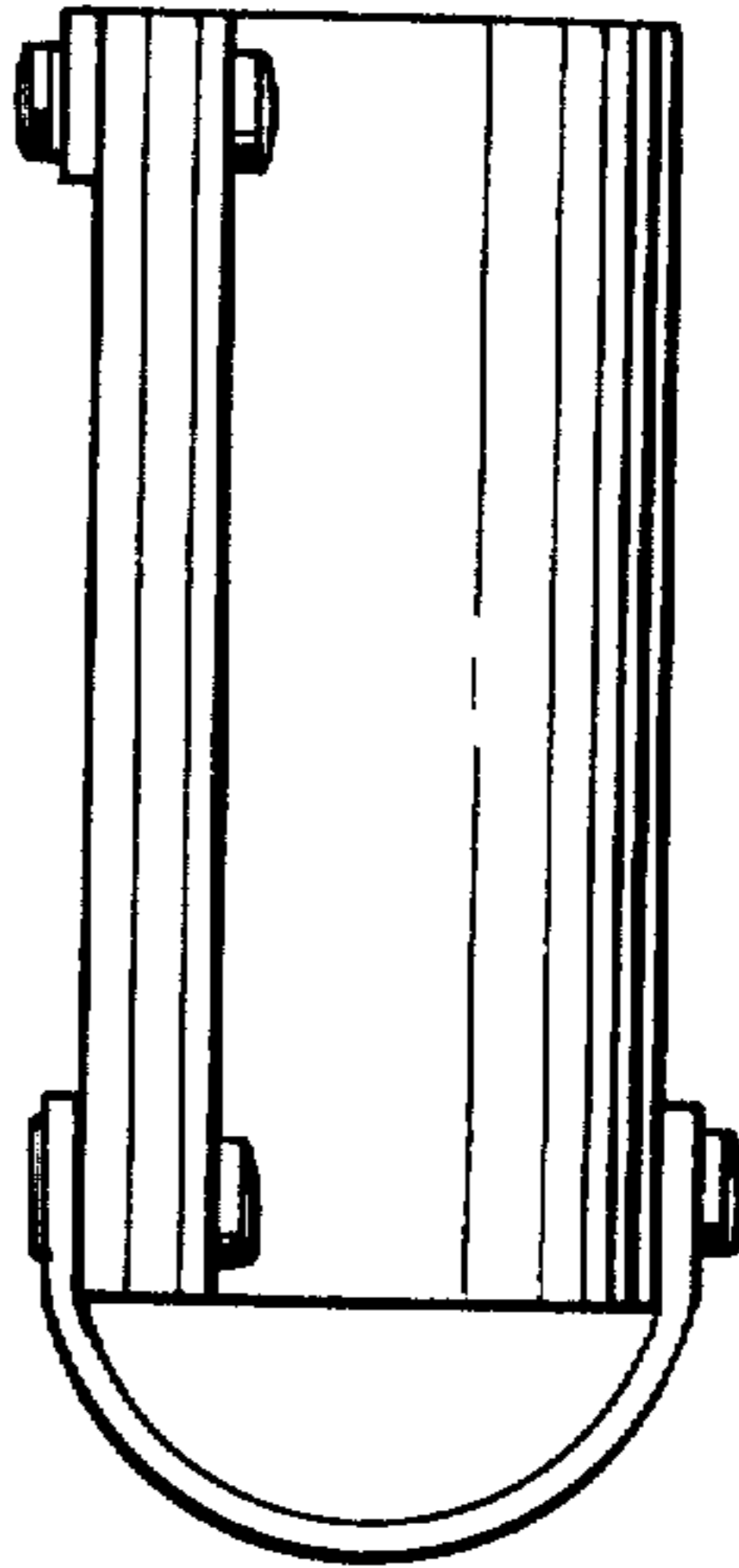


FIG. 4

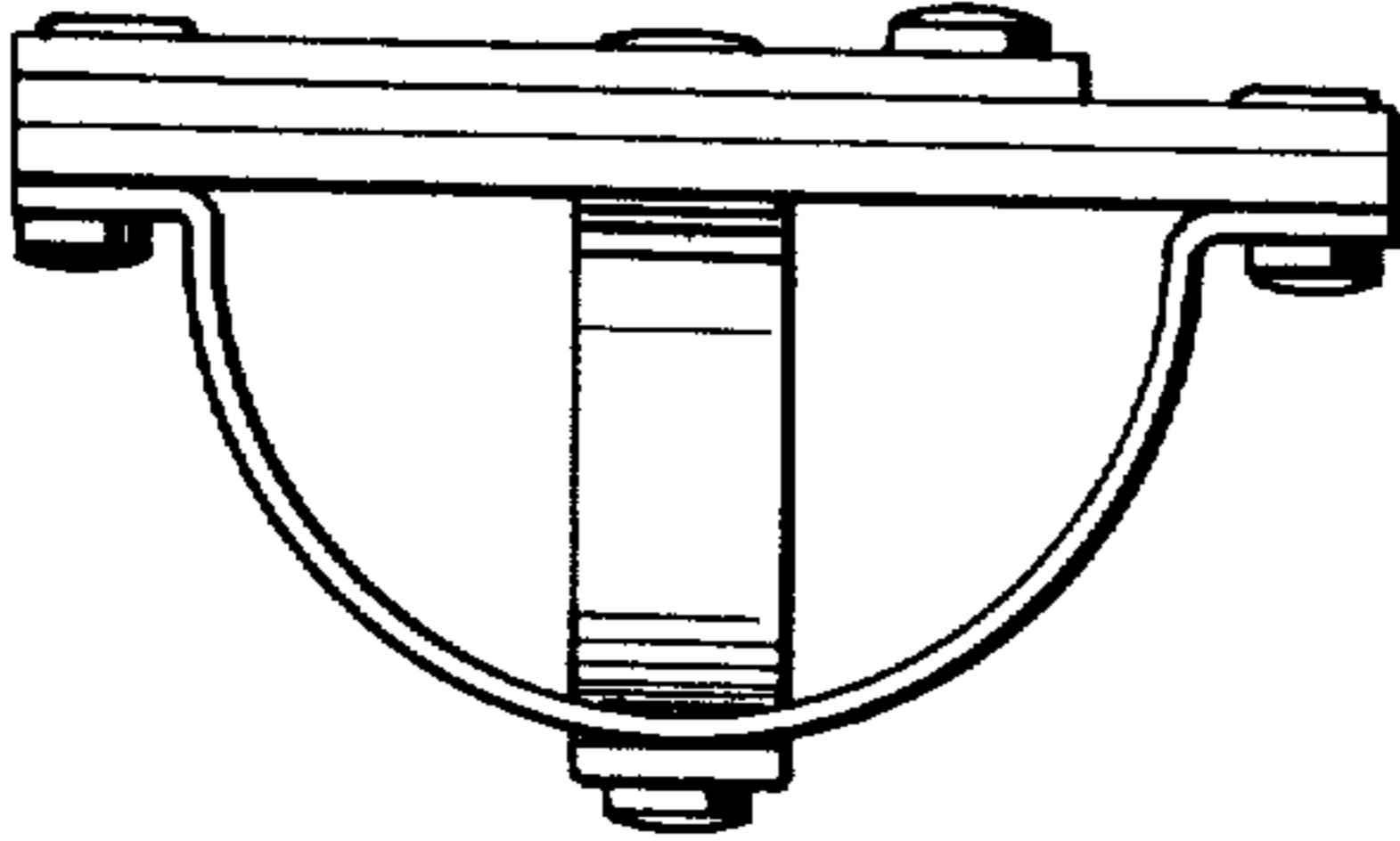


FIG. 3

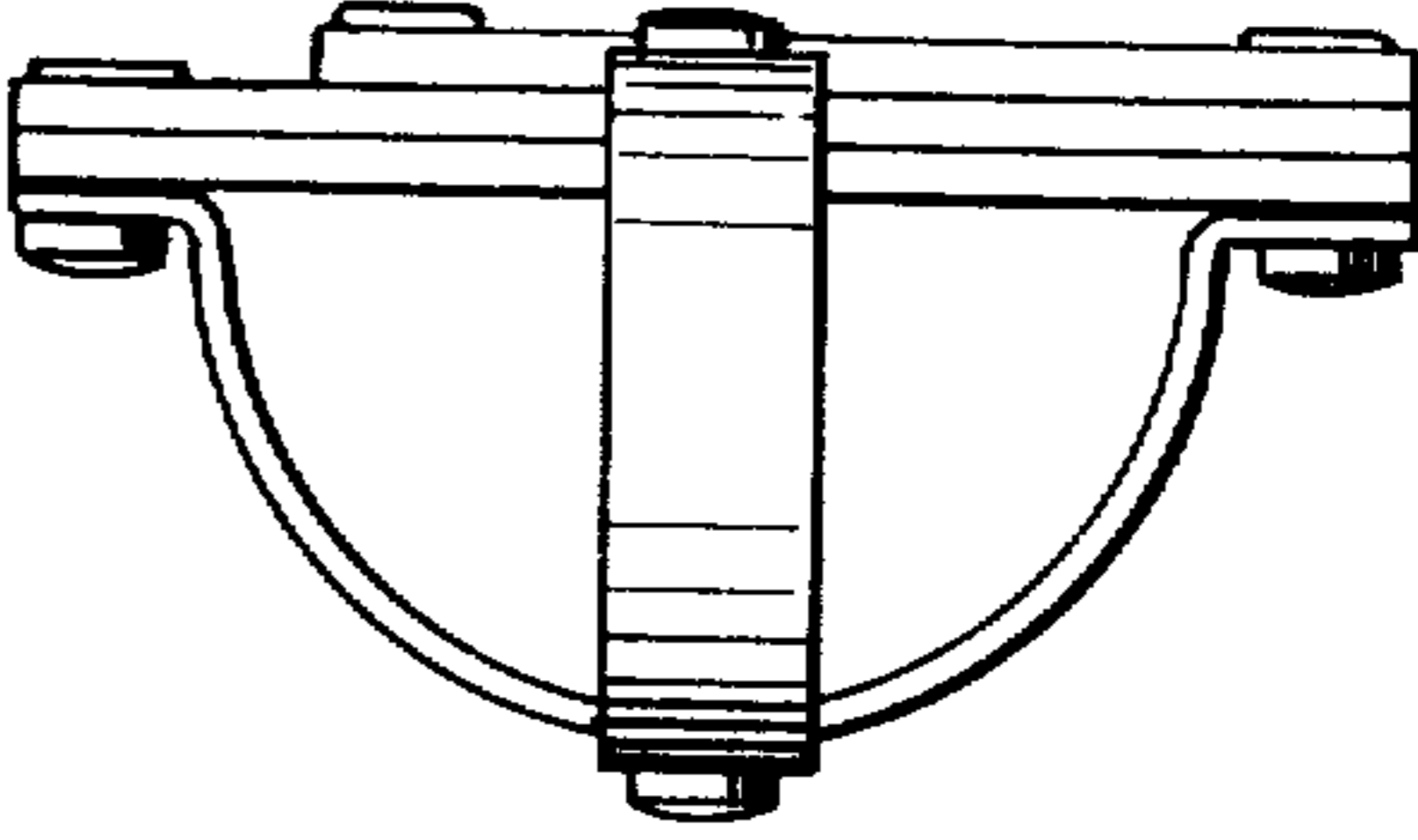


FIG. 5