

[54] WALL LAMP

[76] Inventor: Donald A. Kvasnicka, 718 N. Logan, Colorado Springs, Colo. 80909

[\*\*] Term: 14 Years

[21] Appl. No.: 31,123

[22] Filed: Apr. 18, 1979

[51] Int. Cl. .... D26-05

[52] U.S. Cl. .... D26/87; D26/73

[58] Field of Search .... D26/72, 73, 80-93, D26/94, 102, 104, 105, 106, 107-112; 362/806, 432, 404, 405, 406, 410

[56] References Cited

U.S. PATENT DOCUMENTS

- D. 191,279 9/1961 Dennis ..... D26/111
- 213,951 4/1879 Spencer ..... 362/432

FOREIGN PATENT DOCUMENTS

1057231 10/1953 France ..... 362/410

OTHER PUBLICATIONS

Artolier Lighting Catalog, 1964, p. 2, Wall Lamp #4011.

Primary Examiner—Susan J. Lucas  
Attorney, Agent, or Firm—W. Britton Moore

[57] CLAIM

The ornamental design for a wall lamp, substantially as shown and described.

DESCRIPTION

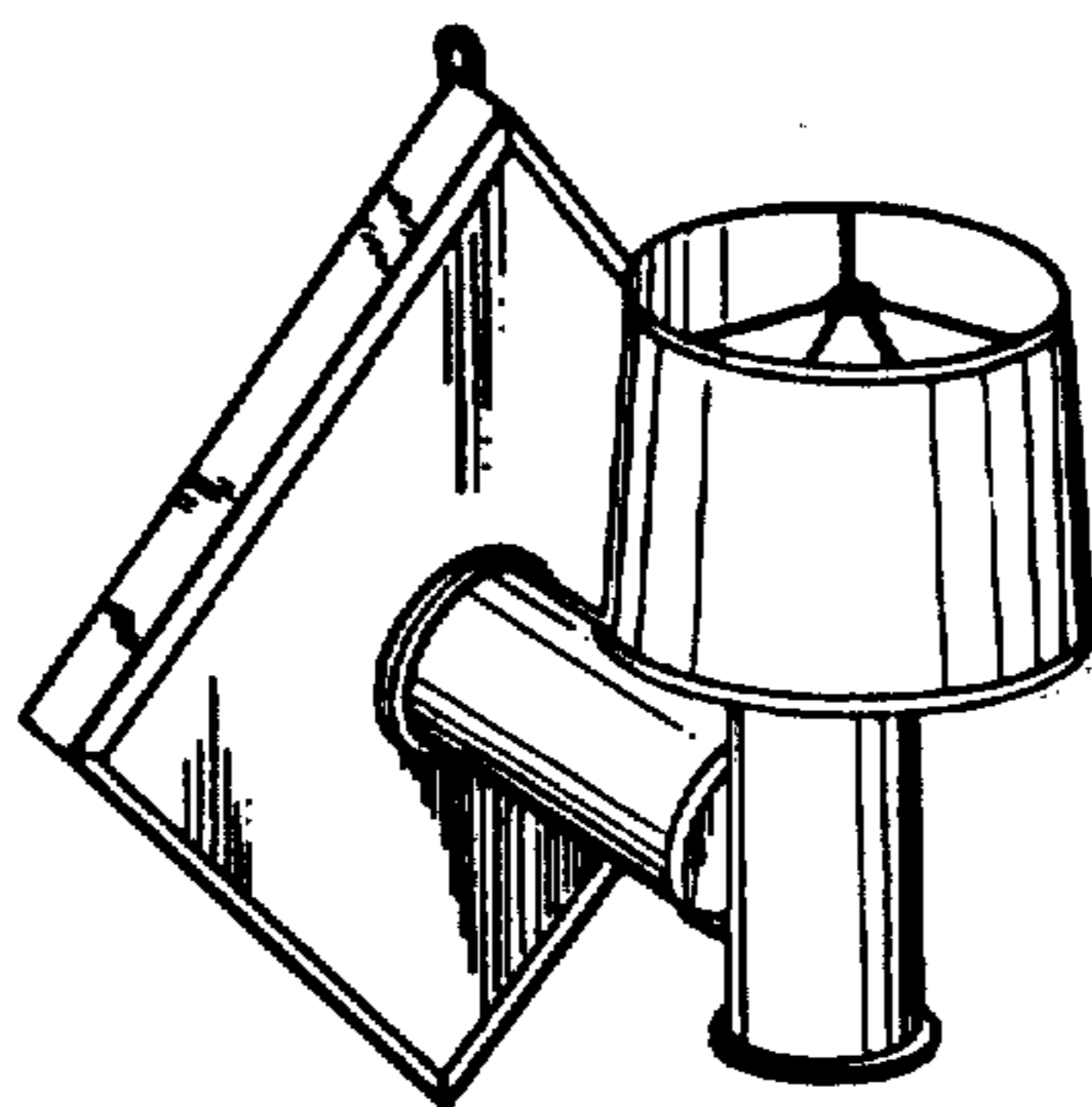
FIG. 1 is a perspective view of a wall lamp showing my new design;

FIG. 2 is a side elevational view thereof;

FIG. 3 is a front elevational view thereof;

FIG. 4 is a top plan view thereof; and

FIG. 5 is a rear elevational view thereof.



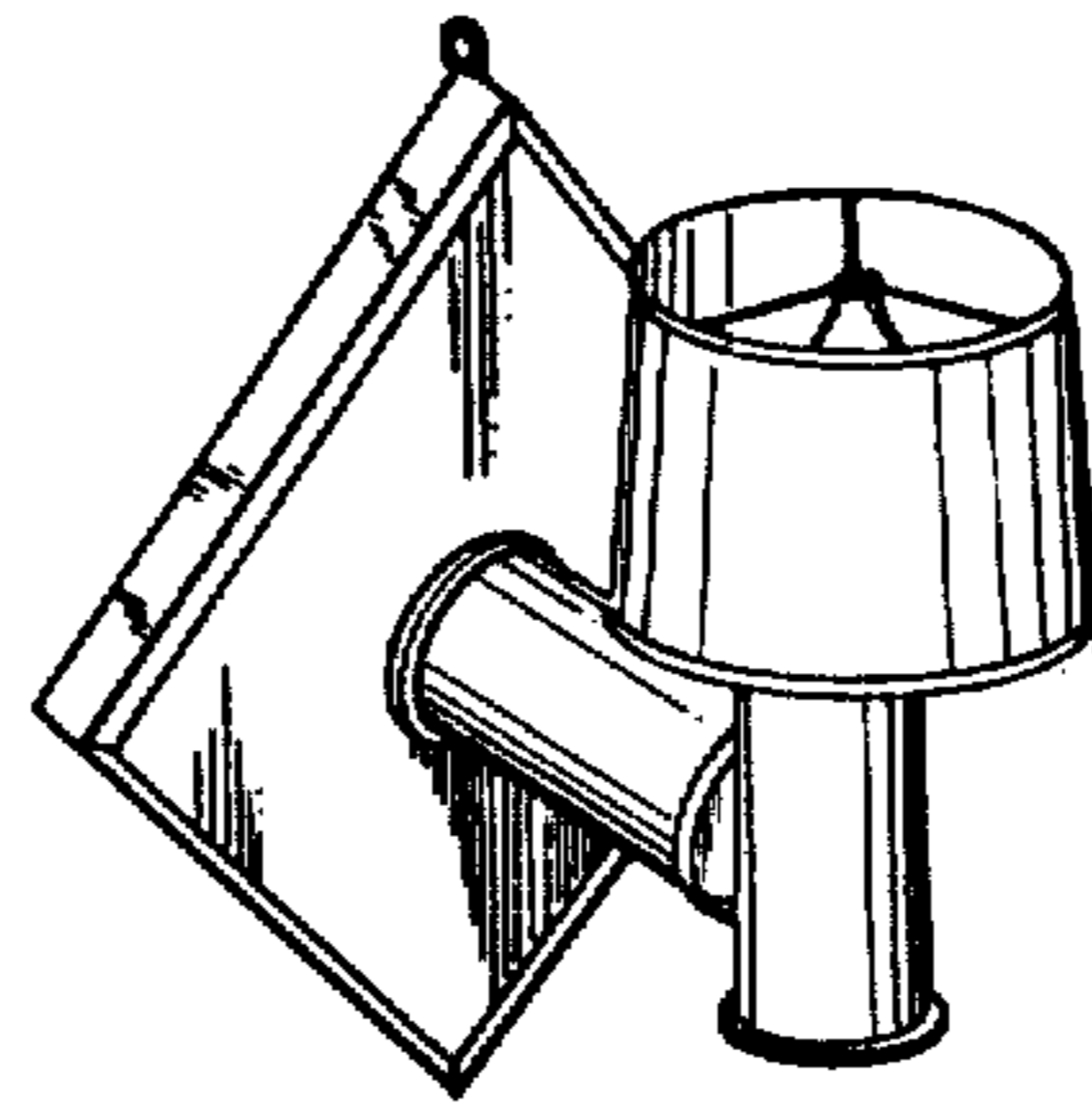


FIG. 1

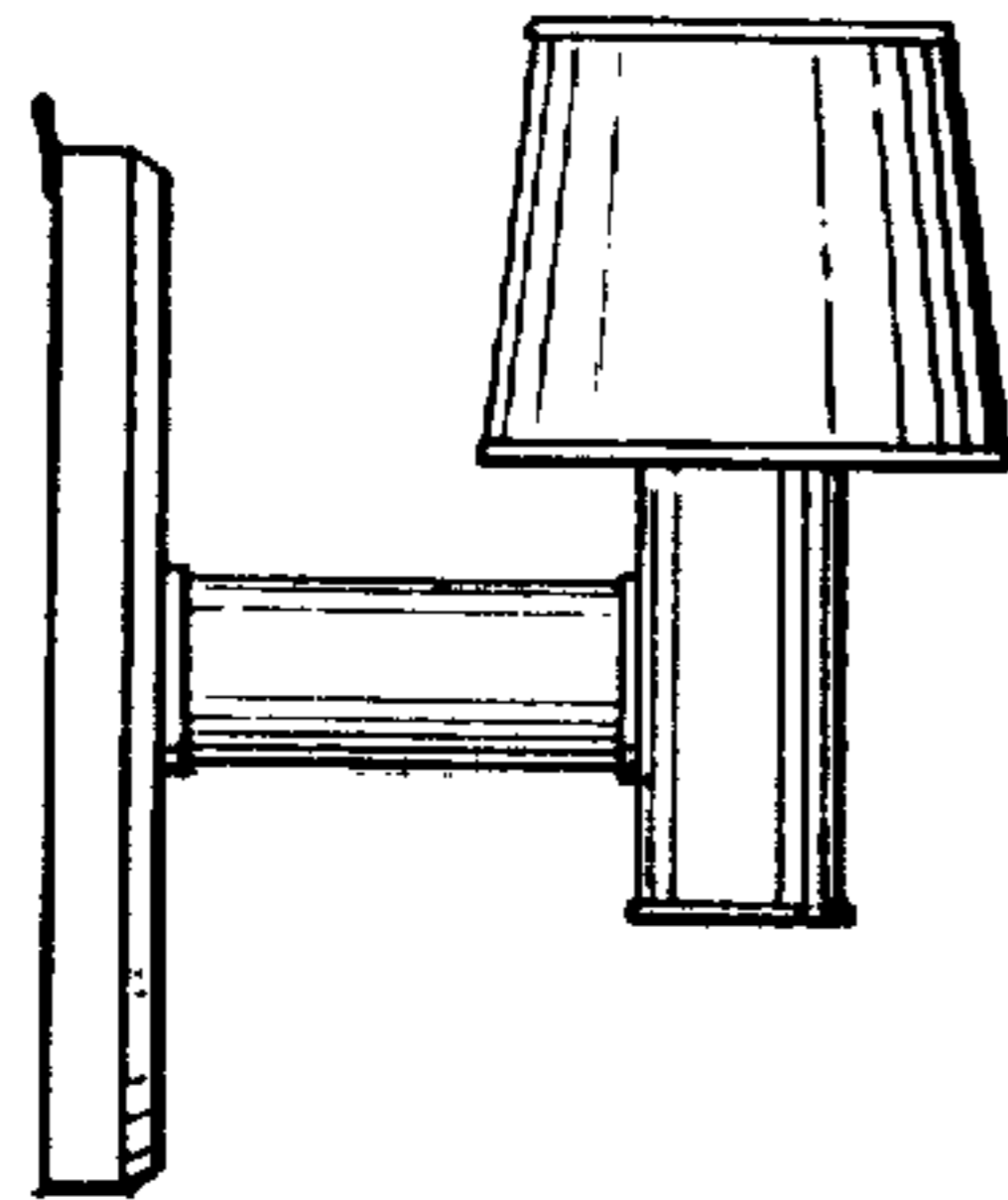


FIG. 2

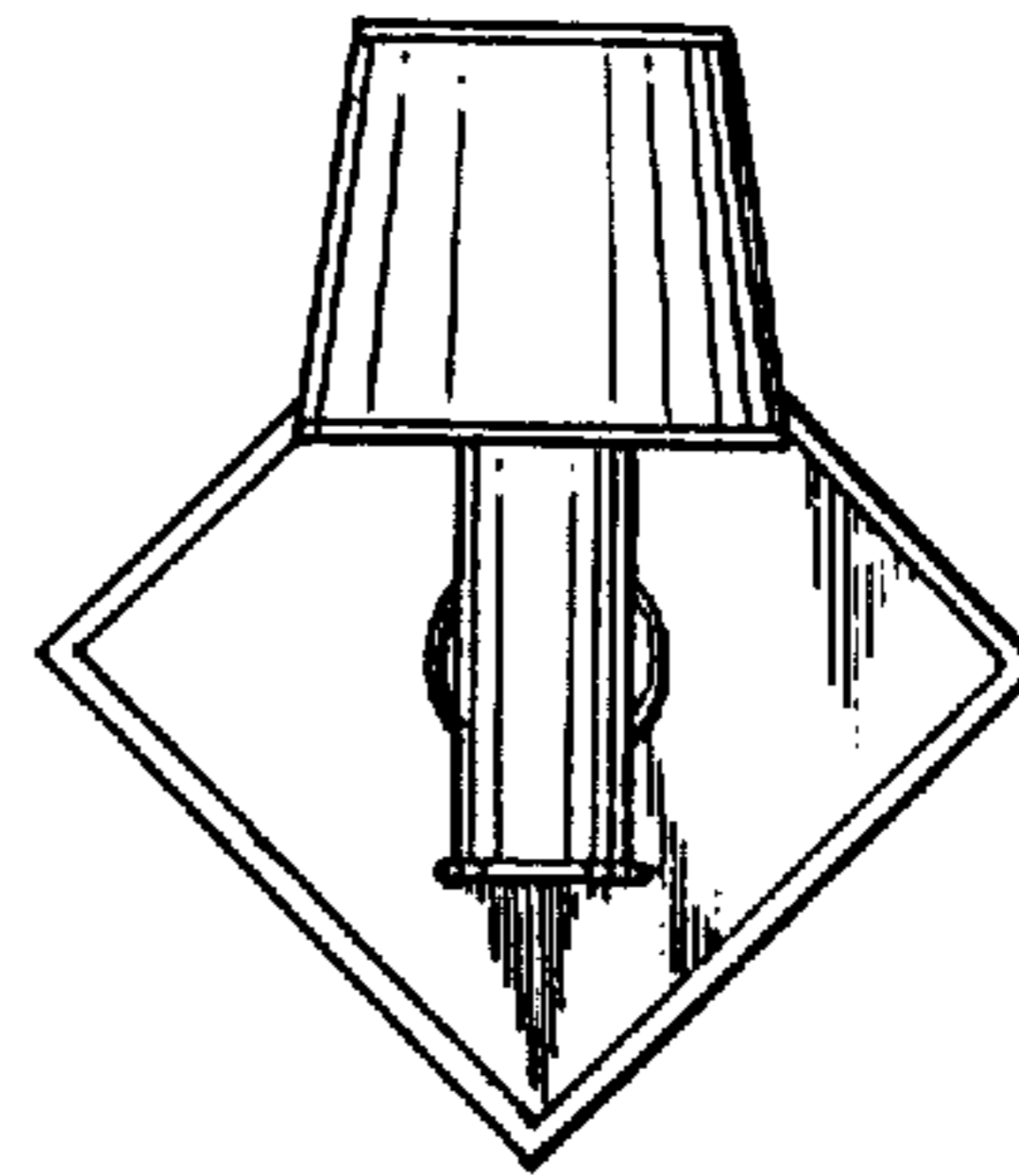


FIG. 3

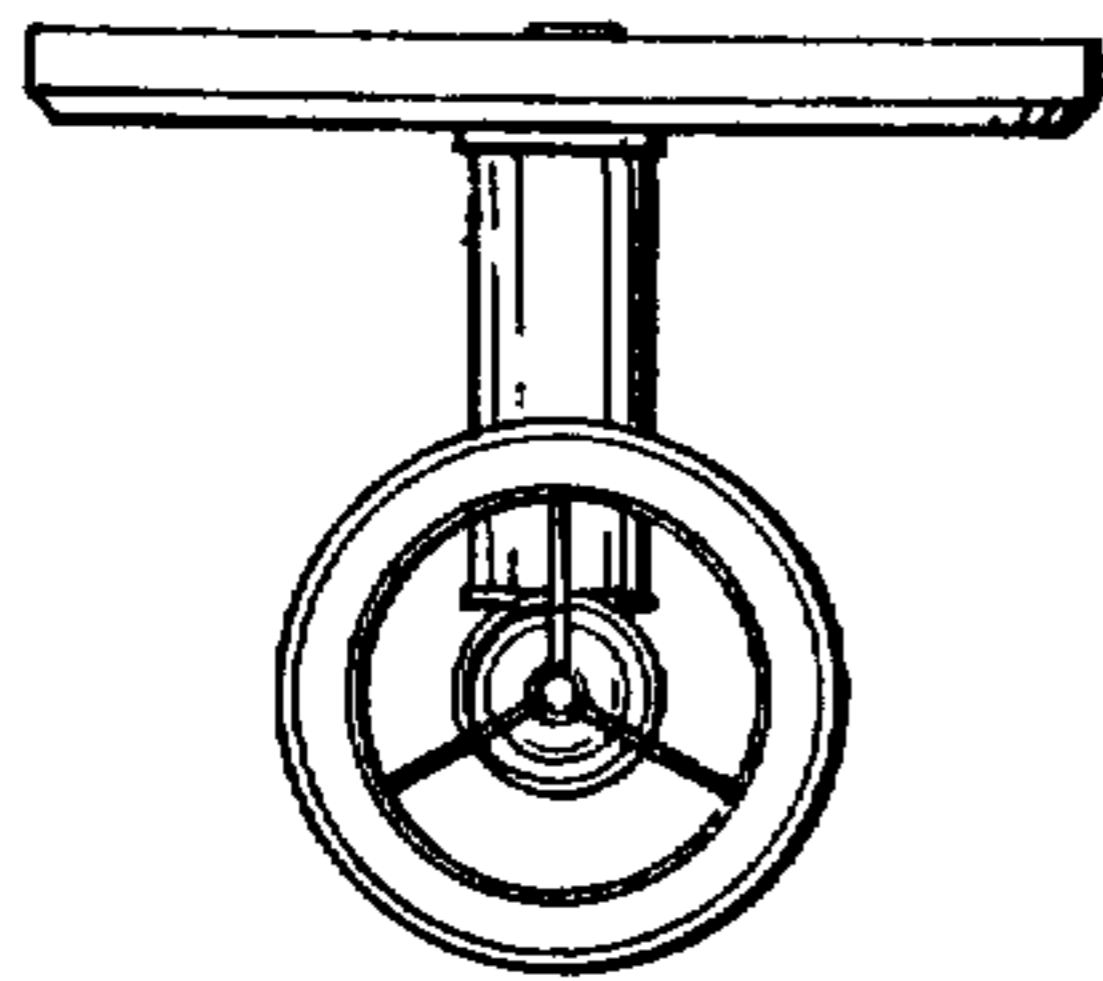


FIG. 4

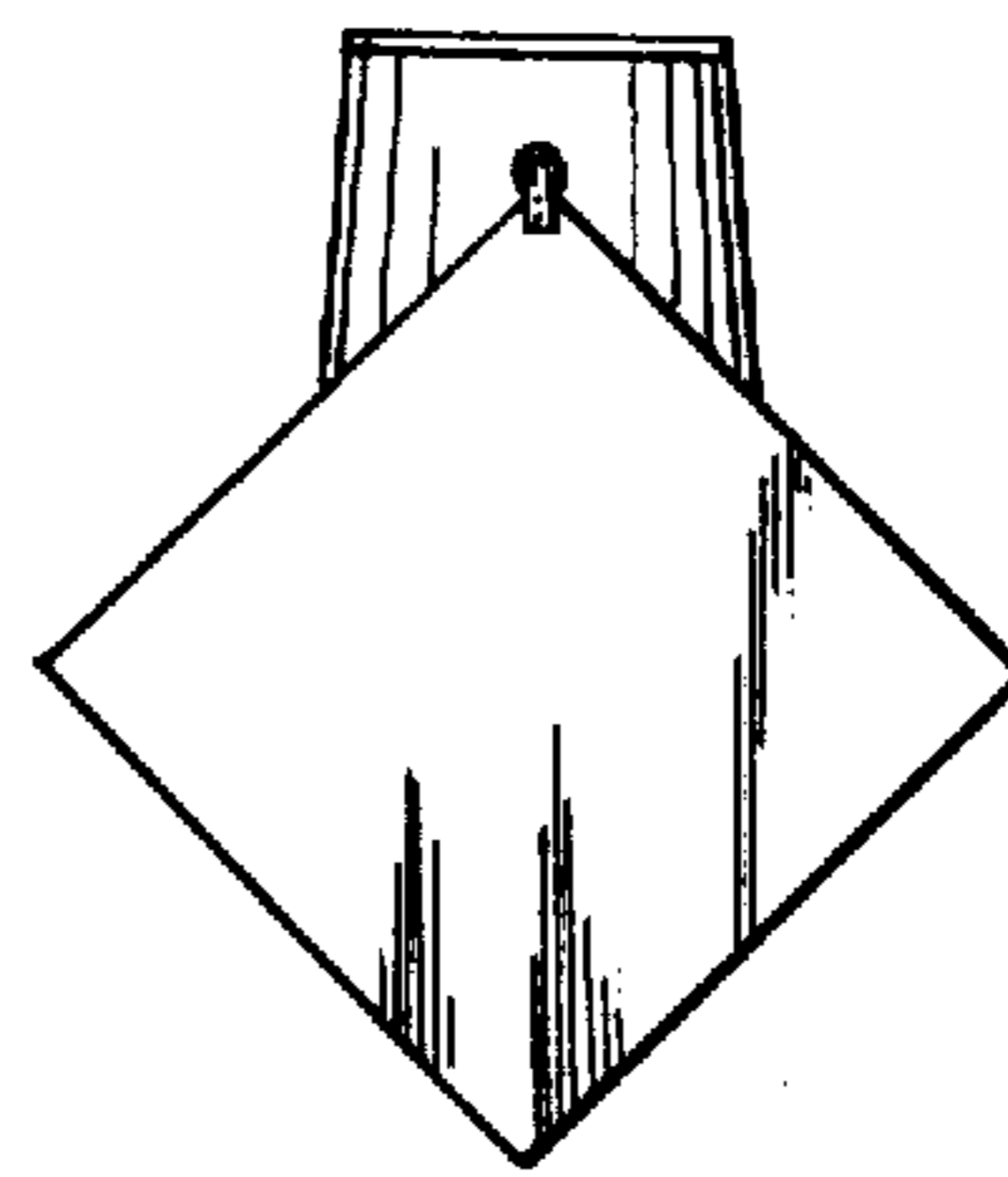


FIG. 5