

[54] SPACE HEATING STOVE

[76] Inventor: John H. Bane, III, 403 N. Maple Ave., Brunswick, Md. 21716

[**] Term: 14 Years

[21] Appl. No.: 172,479

[22] Filed: Jul. 25, 1980

D. 249,544	9/1978	Bonney	D23/97
D. 250,040	10/1978	Sebastian	D23/97
4,027,649	6/1977	Jackson	126/62 X
4,150,658	4/1979	Woods	126/63

FOREIGN PATENT DOCUMENTS

547004	11/1922	France	126/65
628484	10/1927	France	126/58

Primary Examiner—Catherine E. Kemper
Attorney, Agent, or Firm—Boris Haskell

Related U.S. Application Data

[63] Continuation of Ser. No. 956,079, Oct. 30, 1978.

[51] Int. Cl. D23—03

[52] U.S. Cl. D23/97

[58] Field of Search D23/93-97;
126/4, 6, 58-66, 120, 121, 123, 126

[57] CLAIM

The ornamental design for a space heating stove, as shown.

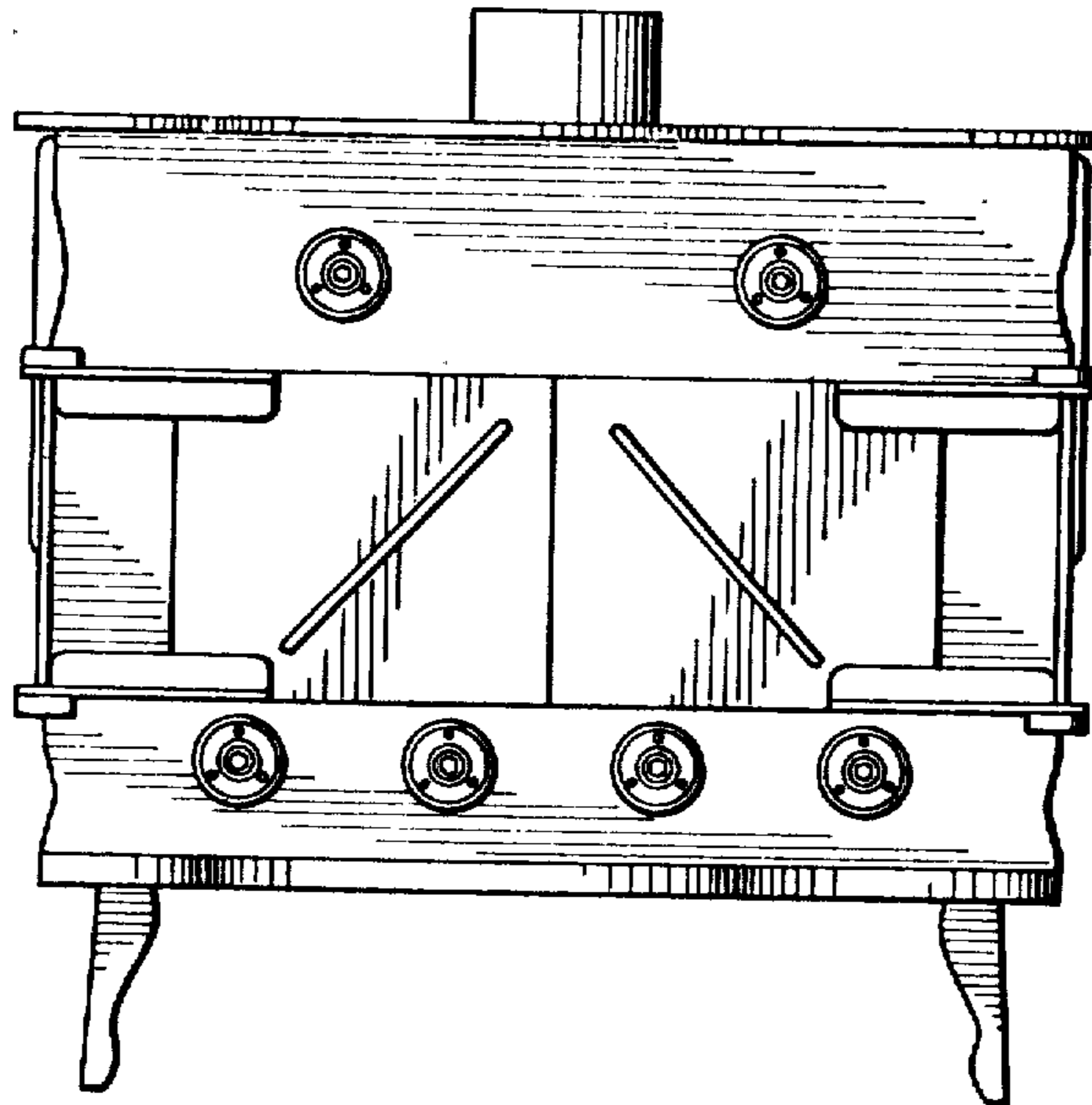
DESCRIPTION

FIG. 1 is a front elevation view of the stove showing my new design;
FIG. 2 is a top plan view thereof;
FIG. 3 is a side elevation view thereof;
FIG. 4 is a rear elevation view thereof; and
FIG. 5 is a bottom plan view thereof.

[56] References Cited

U.S. PATENT DOCUMENTS

D. 36,440 7/1903 Magee D7/113



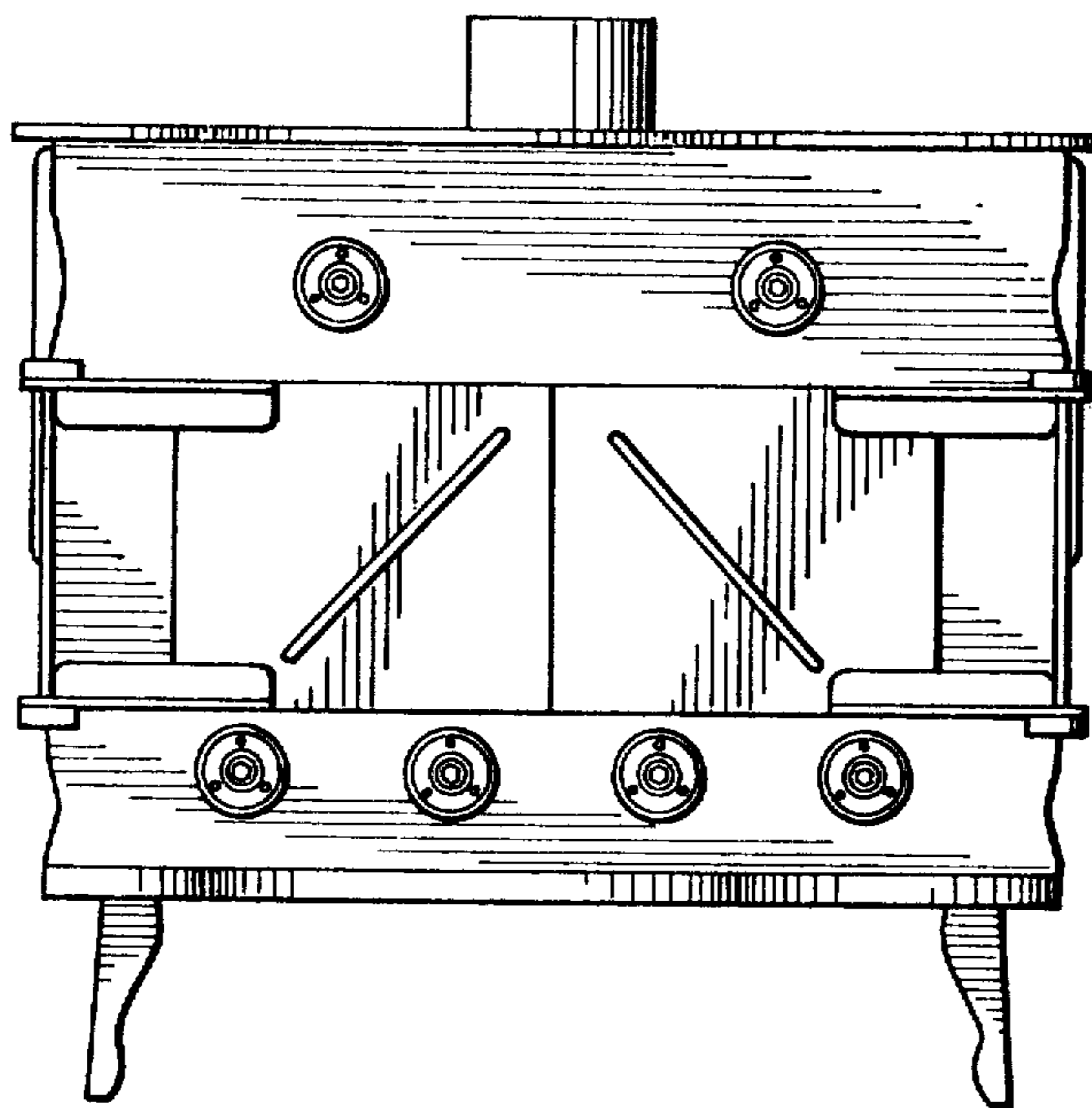


FIG. 1

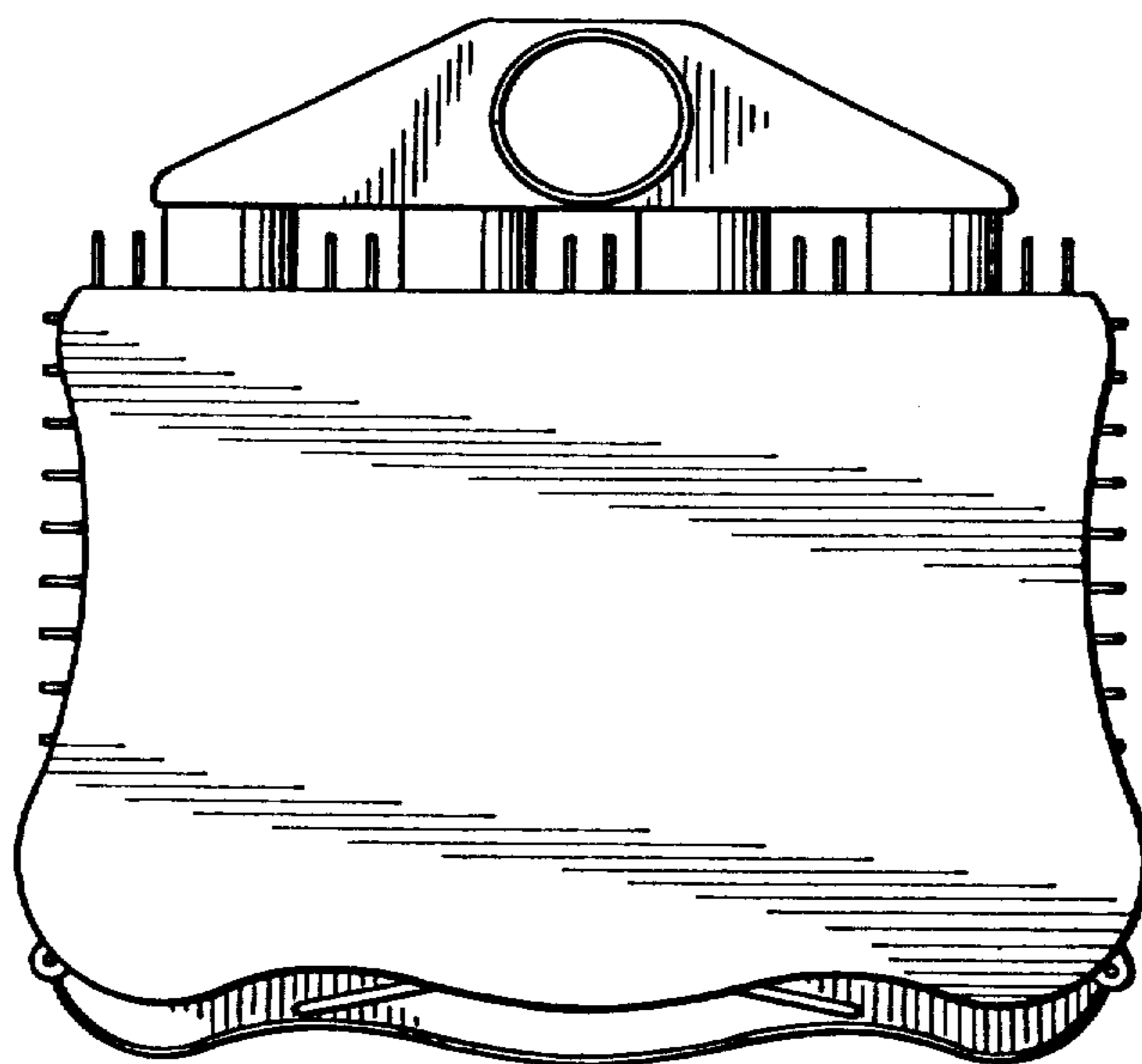


FIG. 2

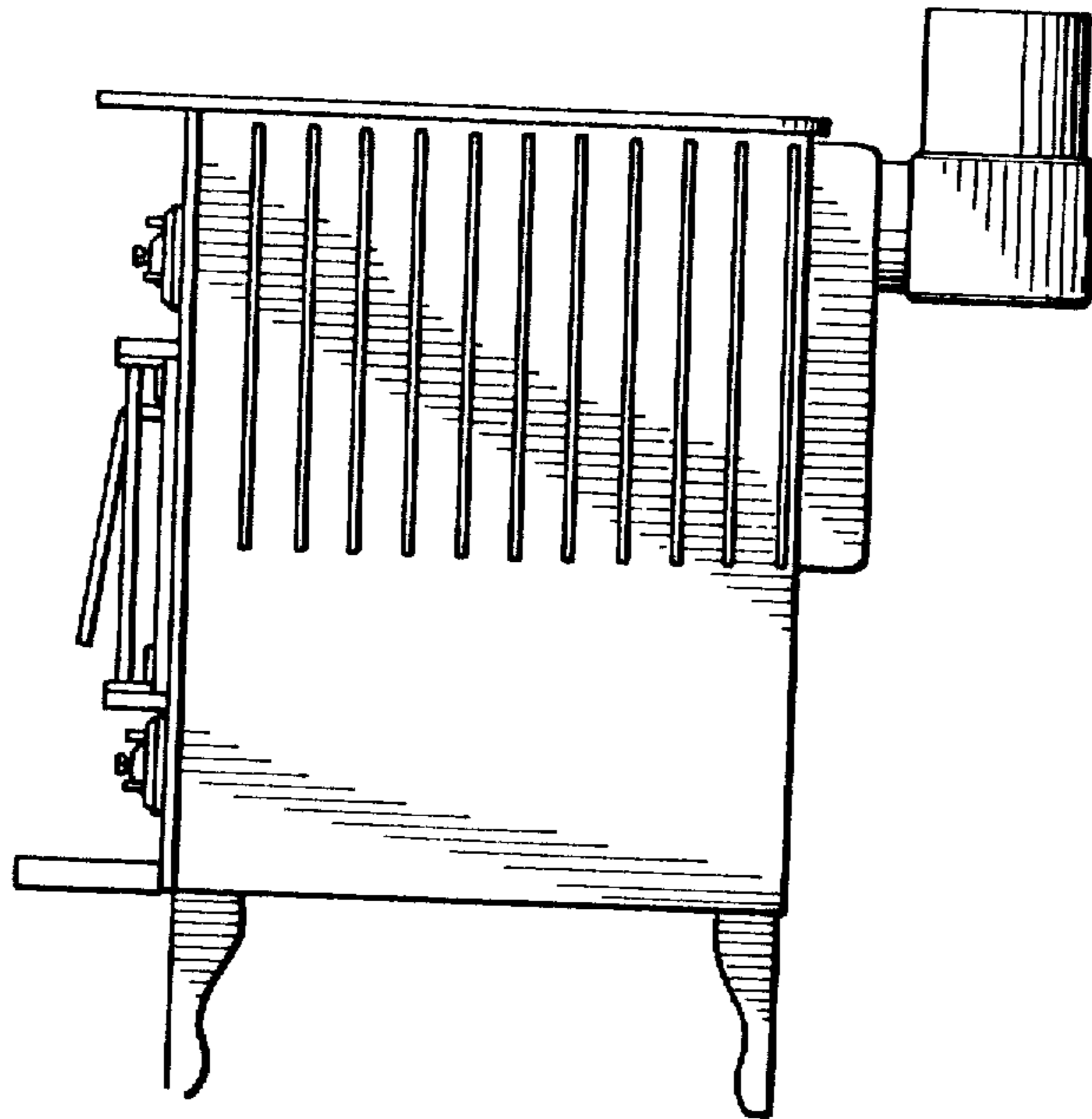


FIG. 3

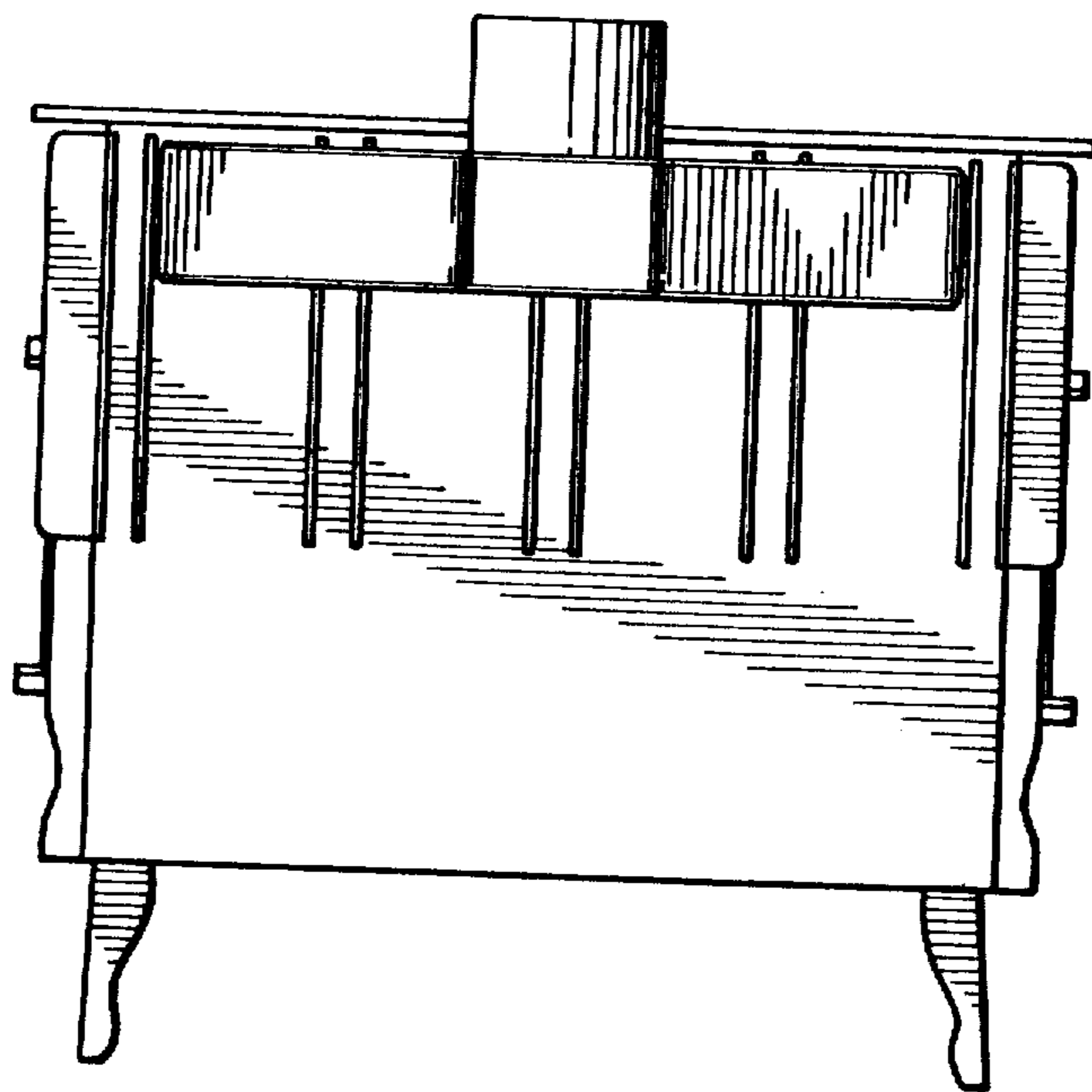


FIG. 4

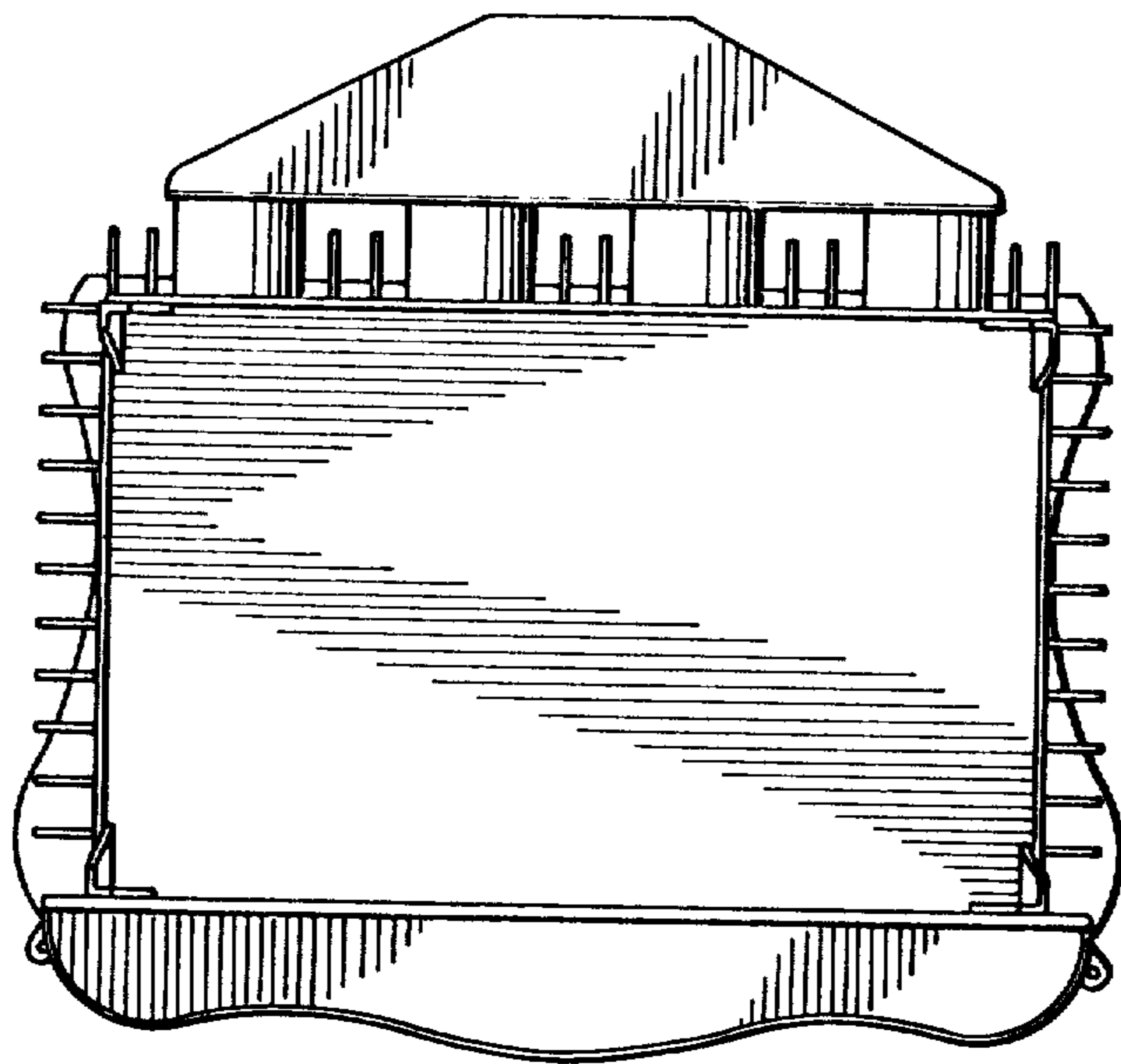


FIG. 5