

[54] COMBINED HOLDER AND TRANSFER TRAY FOR BANK CHECKS

[75] Inventors: Elmer E. Ogg, Jr.; George F. Brun, Jr., both of Dayton, Ohio

[73] Assignee: New Balance Unlimited, Dayton, Ohio

[\*\*] Term: 14 Years

[21] Appl. No.: 121,279

[22] Filed: Feb. 13, 1980

[51] Int. Cl. .... D19-02

[52] U.S. Cl. .... D19/92; D19/100

[58] Field of Search .... D19/65, 75, 92, 99, D19/100; 211/51; 220/22.1, 22.2, 22.3

[56] References Cited

U.S. PATENT DOCUMENTS

D. 180,895	9/1957	Davis	.....	D19/92
D. 213,783	4/1969	Laybourn et al.	.....	D19/92
D. 246,373	11/1977	Crandell et al.	.....	D19/92
D. 246,906	1/1978	Leopoldi	.....	D19/92
1,745,132	1/1930	Welk	.....	220/22.2

Primary Examiner—George P. Word  
Attorney, Agent, or Firm—Jacox & Meckstroth

[57] CLAIM

The ornamental design for a combined holder and transfer tray for bank checks, as shown.

DESCRIPTION

FIG. 1 is a perspective view of a combined holder and transfer tray for checks showing our new design; FIG. 2 is a top plan view thereof; FIG. 3 is a left end elevational view thereof; FIG. 4 is a front elevational view thereof; FIG. 5 is a rear elevational view thereof; FIG. 6 is a right end elevational view thereof; and FIG. 7 is a bottom plan view thereof.

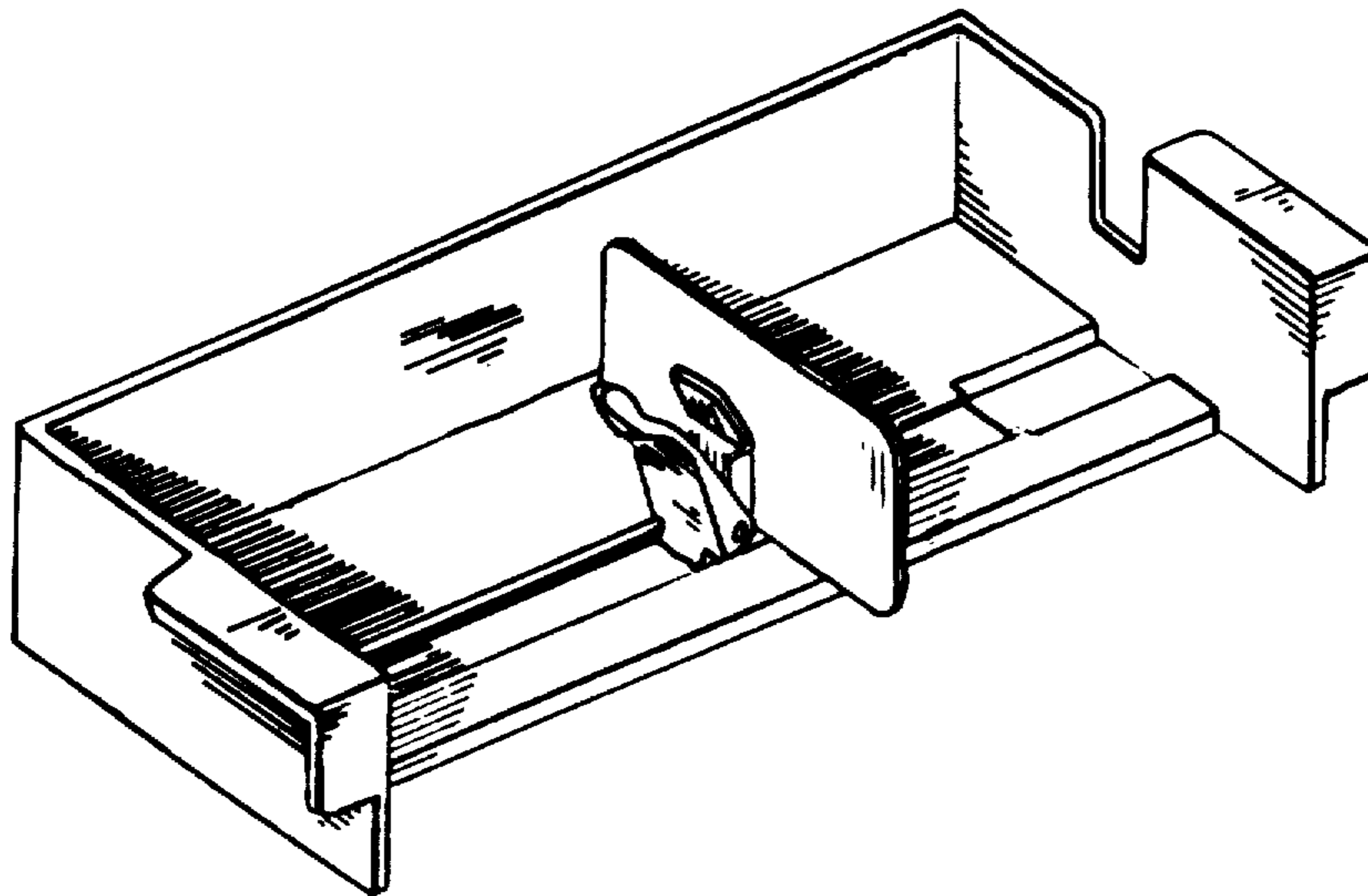


FIG-1

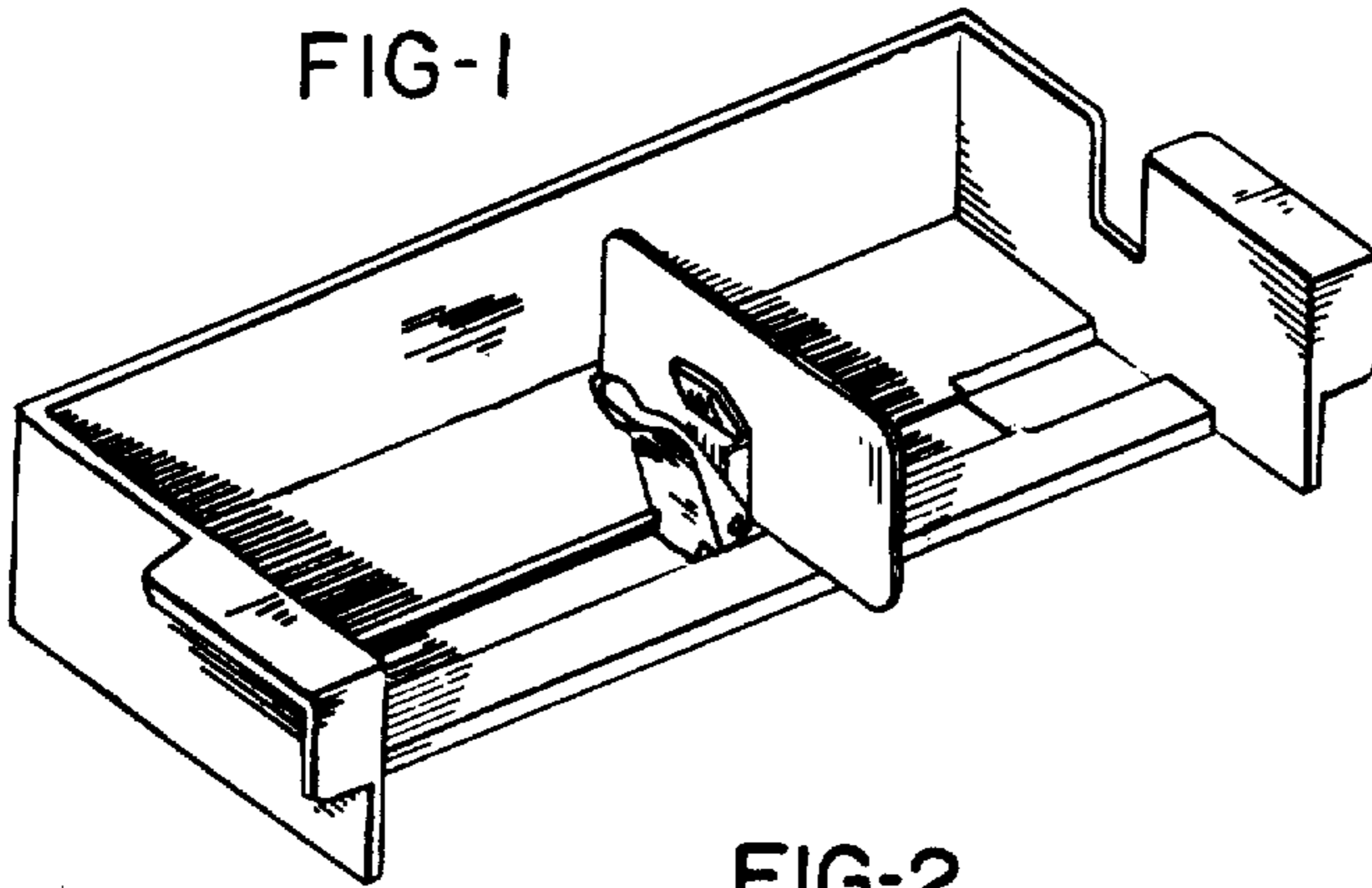


FIG-2

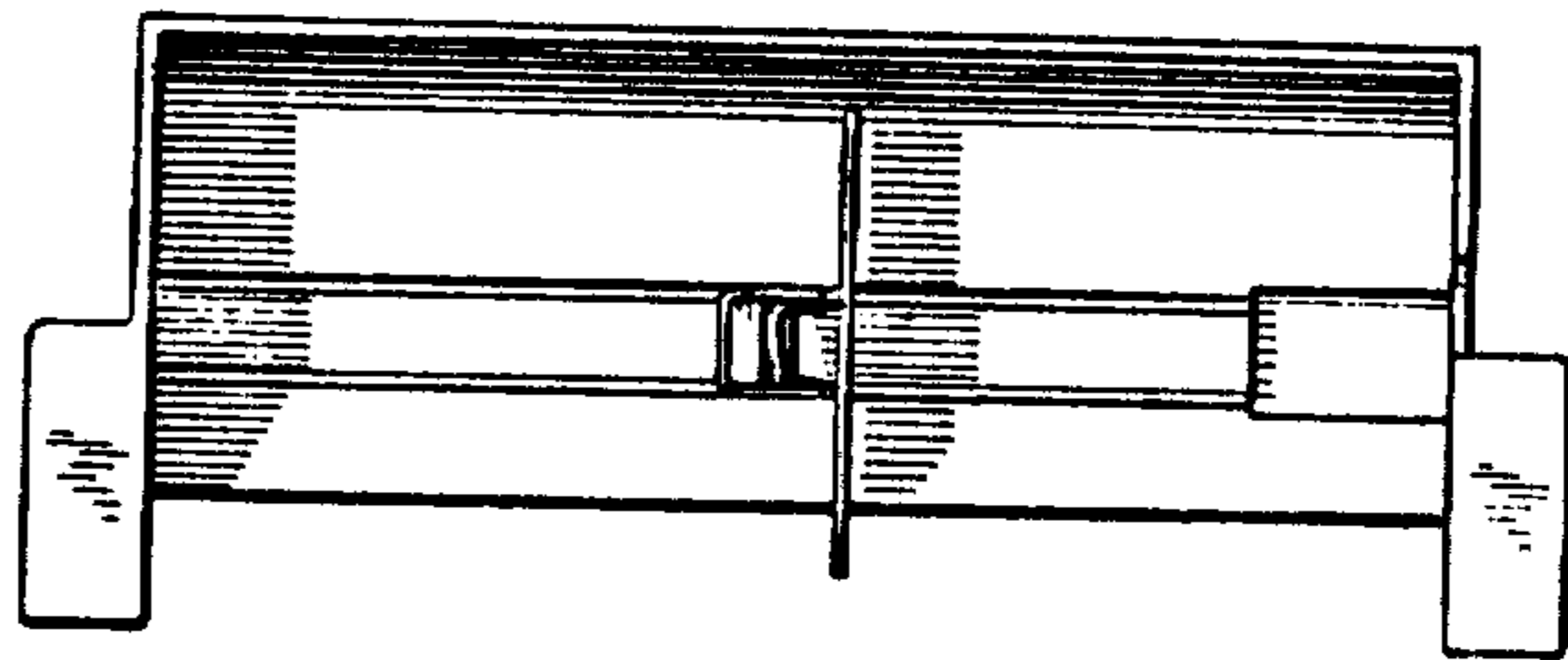


FIG-3

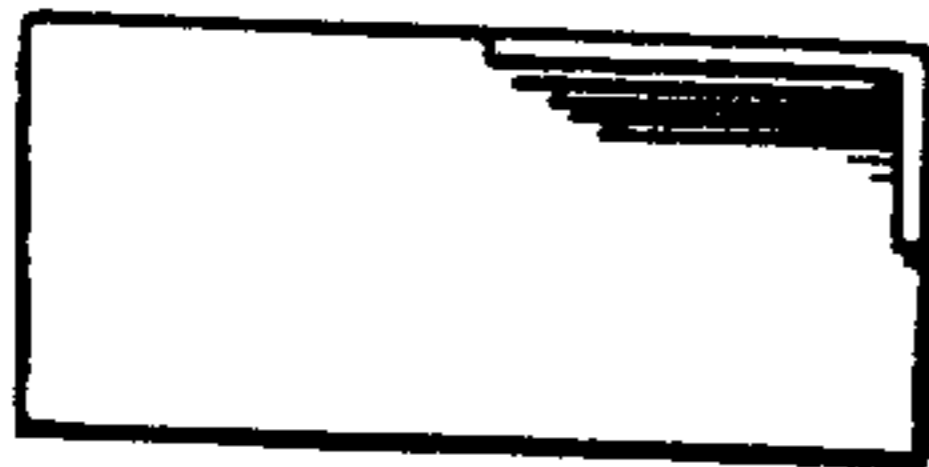


FIG-4

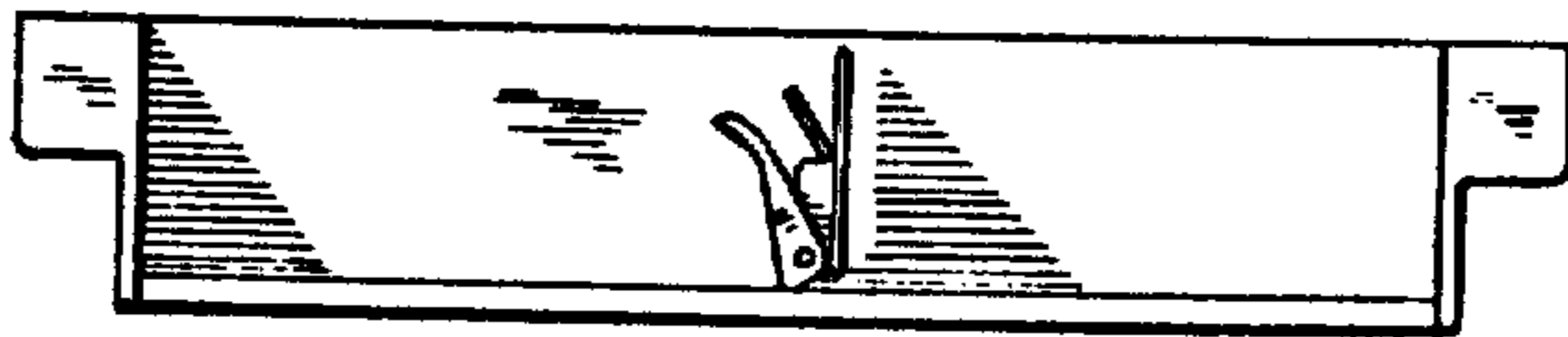


FIG-5

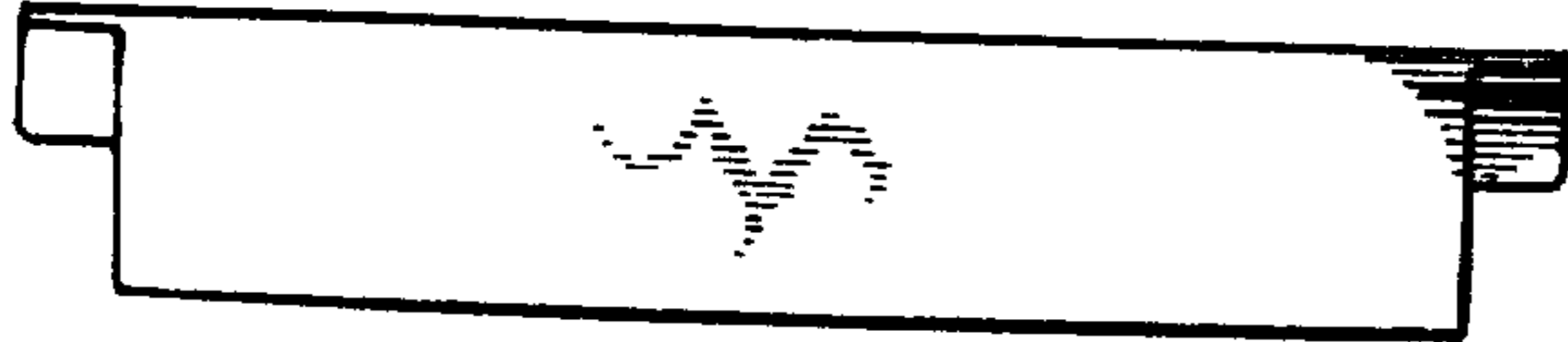


FIG-6



FIG-7

