

[54] WIND INSTRUMENT

[76] Inventor: Frank H. Lawson, 1608 Trona Way, San Jose, Calif. 95125

[\*\*] Term: 14 Years

[21] Appl. No.: 132,853

[22] Filed: Mar. 24, 1980

[51] Int. Cl. D17-02

[52] U.S. Cl. D17/10

[58] Field of Search D17/10, 99; D21/64; 84/330, 383, 402

[56] References Cited

U.S. PATENT DOCUMENTS

- 1,526,030 2/1925 Ward ..... 84/330 X
- 1,621,608 3/1927 Slechta ..... 84/383
- 2,242,912 5/1941 Healy ..... 84/330

4,116,108 9/1978 Hyman ..... 84/330

FOREIGN PATENT DOCUMENTS

2014865 10/1970 Fed. Rep. of Germany ..... 84/402

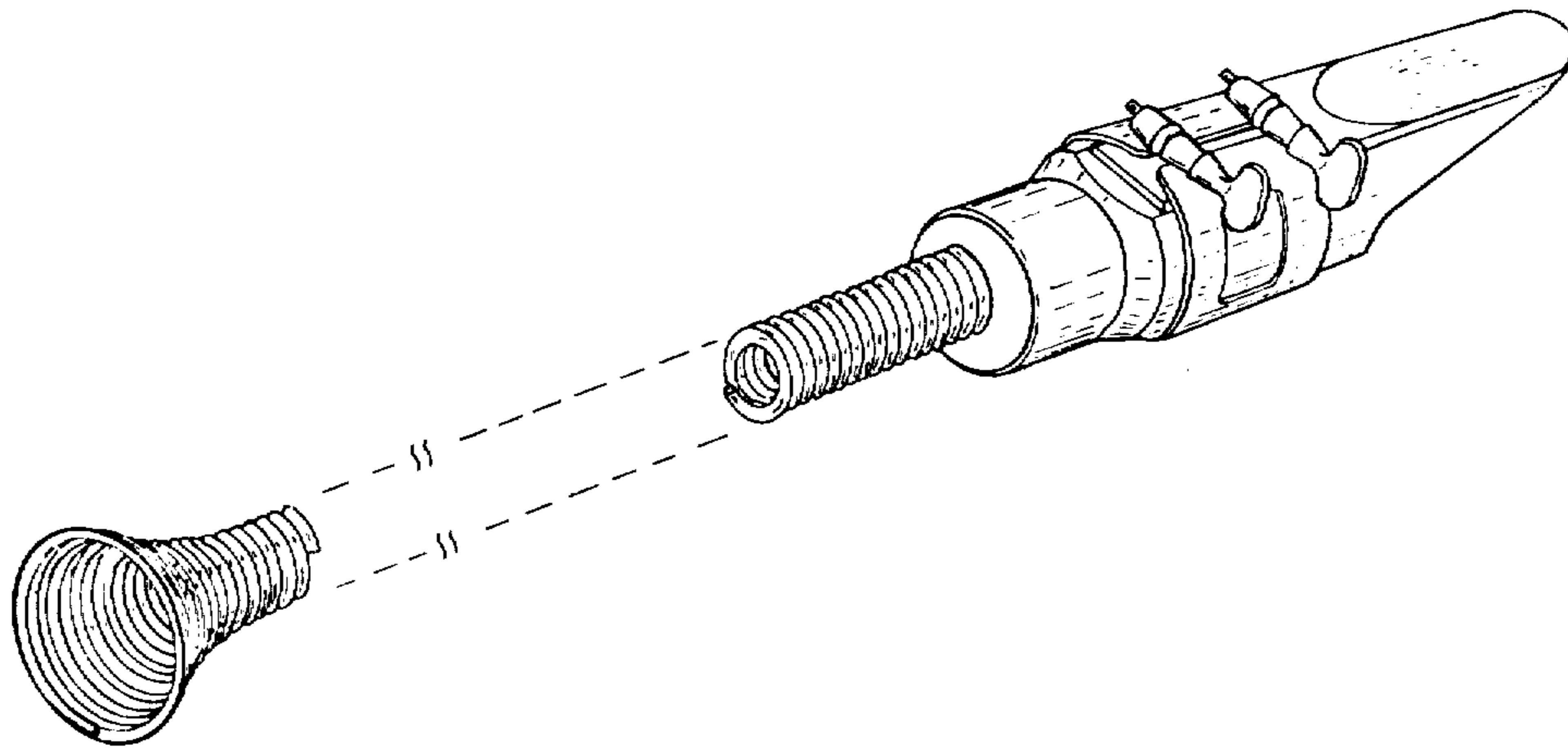
Primary Examiner—Jane E. Corrigan  
Attorney, Agent, or Firm—Claude A. S. Hamrick

[57] CLAIM

The ornamental design for a wind instrument, substantially as shown and described.

DESCRIPTION

FIG. 1 is a front perspective view of a wind instrument showing my new design, the broken off showing of the coil indicating indeterminate length; FIG. 2 is a rear elevational view thereof; FIG. 3 is a right side elevational view thereof; FIG. 4 is a bottom plan view; and FIG. 5 is a top plan view.



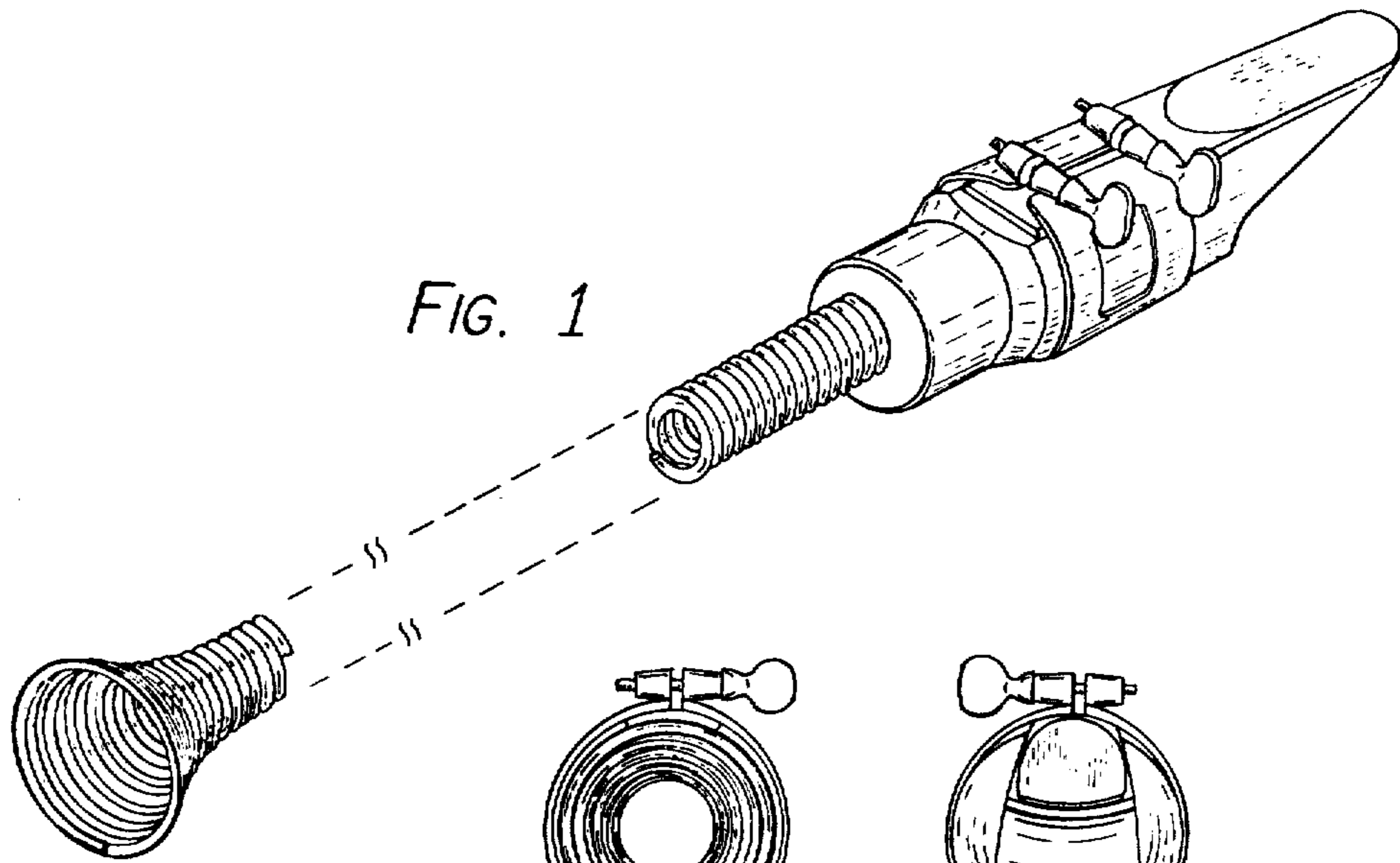


FIG. 1

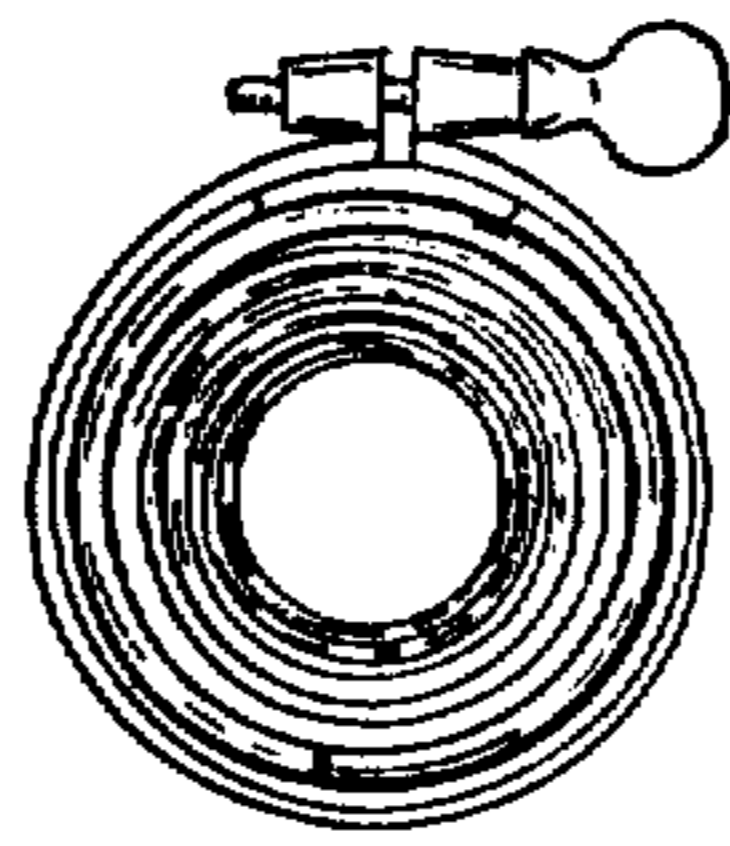


FIG. 4

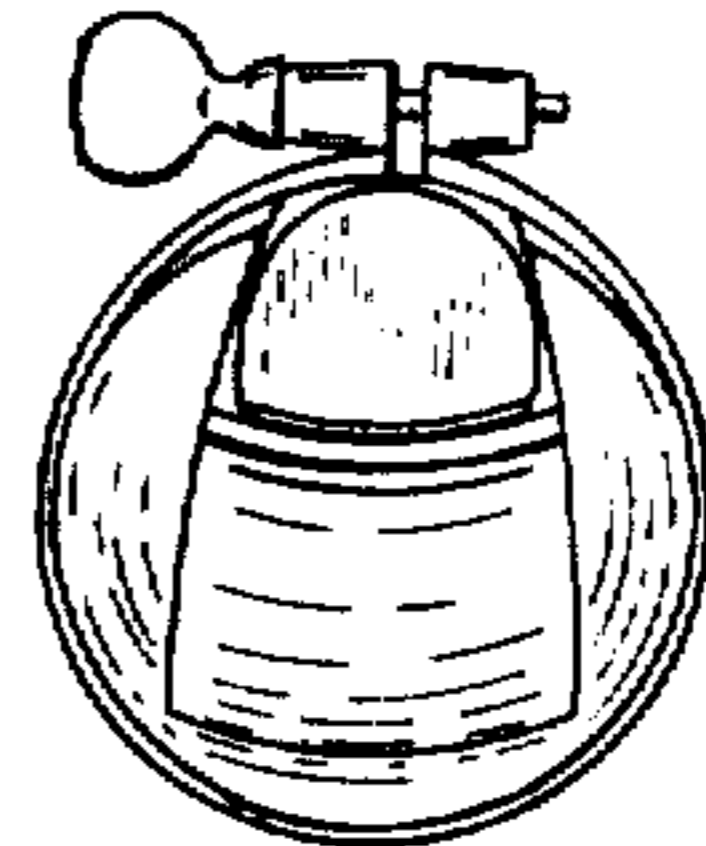


FIG. 5

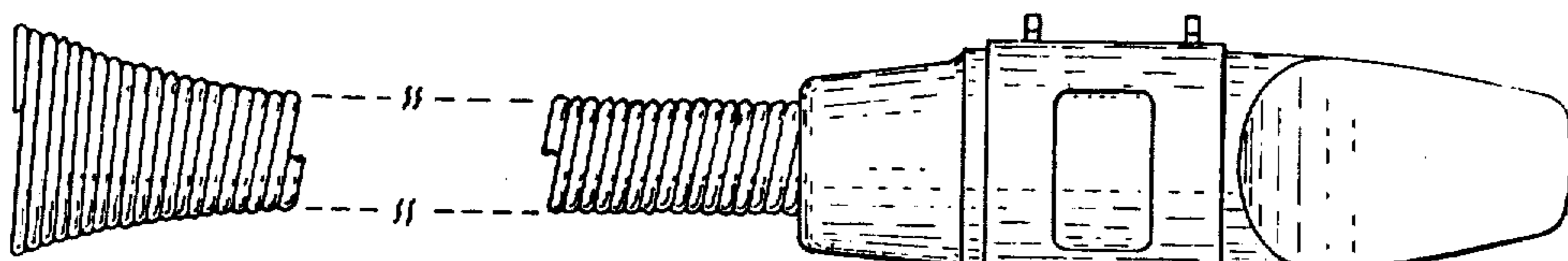


FIG. 2

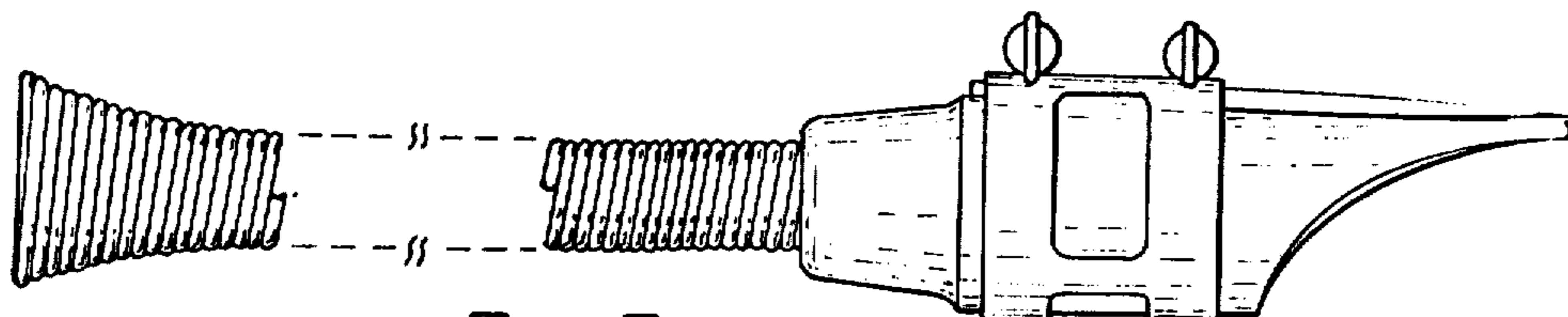


FIG. 3