

[54] ELECTROPHOTOGRAPHIC COPIER

[75] Inventor: Michio Imada, Kodaira, Tokyo, Japan

[73] Assignee: Olympus Optical Company Ltd., Tokyo, Japan

[**] Term: 14 Years

[21] Appl. No.: 10,078

[22] Filed: Feb. 7, 1979

[30] Foreign Application Priority Data

Sep. 18, 1978 [JP] Japan 53-39559

[51] Int. Cl. D16-03

[52] U.S. Cl. D16/31

[58] Field of Search D16/27-32; 355/3 R, 3 P, 3 DD, 8, 9

[56] References Cited

U.S. PATENT DOCUMENTS

D. 222,298	10/1971	Ishii	D16/31
D. 247,296	2/1978	Nakade	D16/31
4,154,524	5/1979	Hattori et al.	355/8

Primary Examiner—Peter M. Caun
Attorney, Agent, or Firm—Weinstein & Sutton

[57] CLAIM

The ornamental design for an electrophotographic copier, as shown and described.

DESCRIPTION

FIG. 1 is a top, front and right side perspective view of an electrophotographic copier, showing my new design;

FIG. 2 is a rear, bottom and left side perspective view thereof;

FIG. 3 is a front view thereof;

FIG. 4 is a rear view thereof;

FIG. 5 is a top view thereof;

FIG. 6 is a bottom view thereof;

FIG. 7 is a right side view thereof; and

FIG. 8 is a left side view thereof.

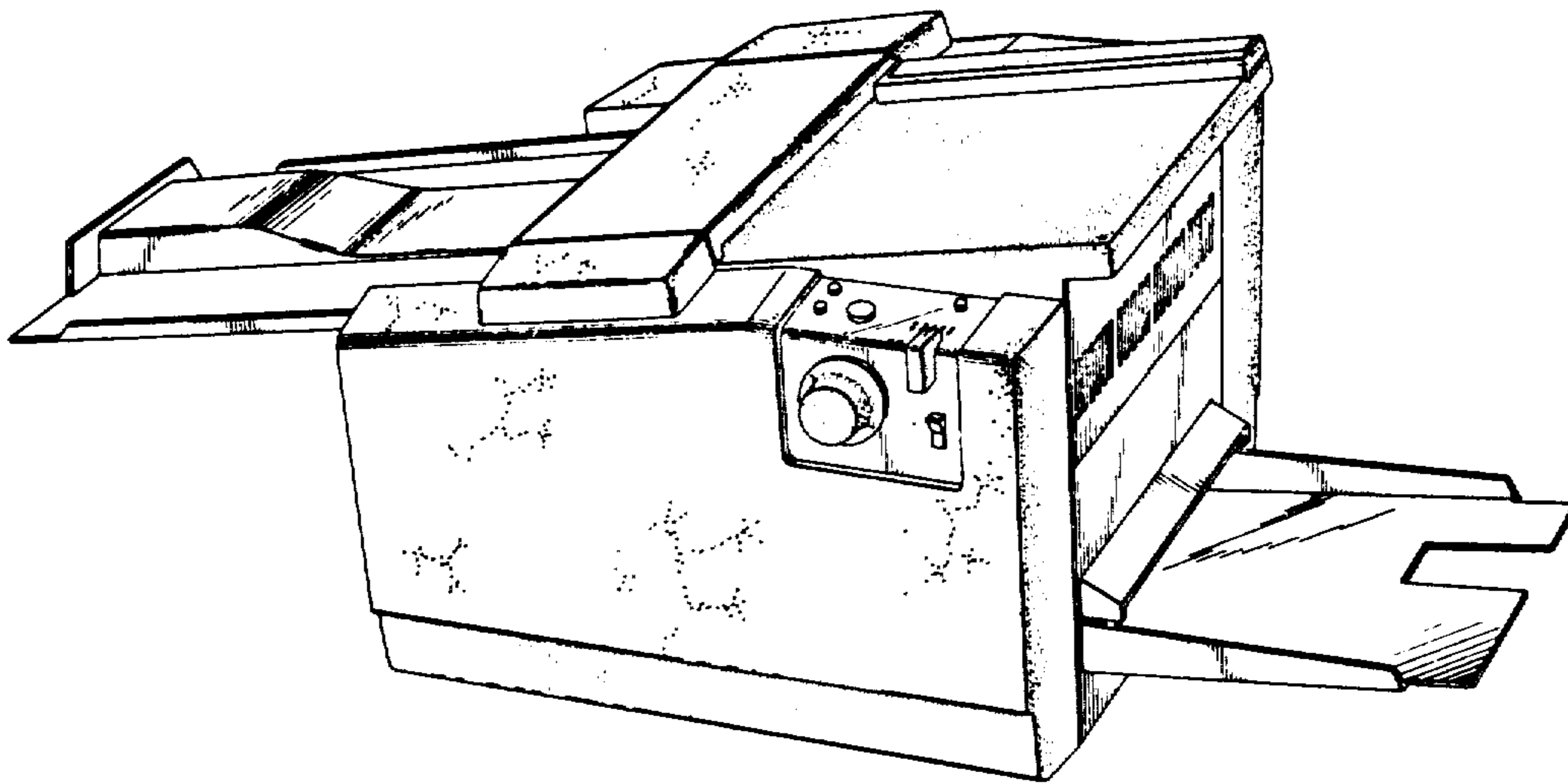


FIG. 1

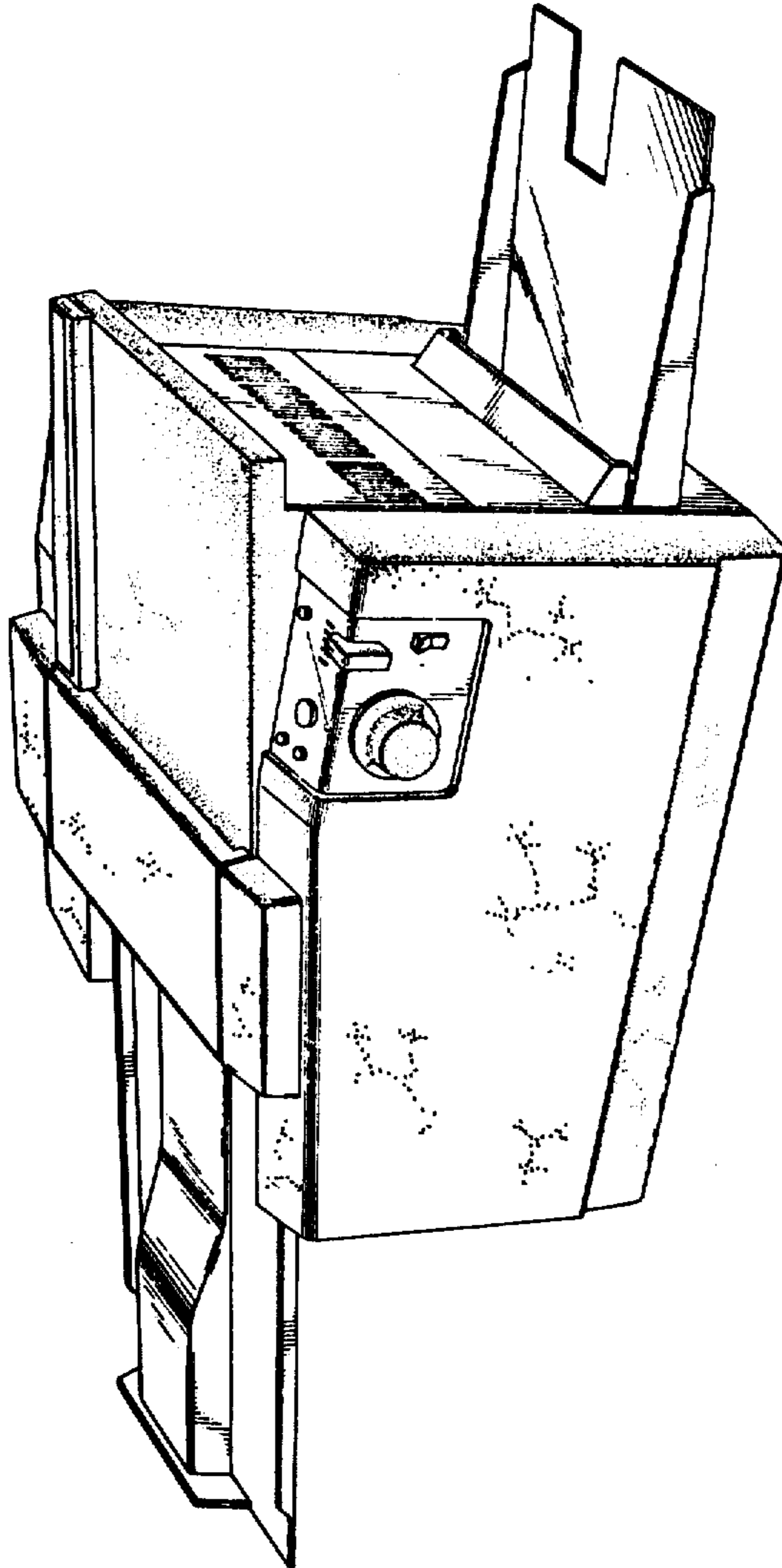


FIG. 2

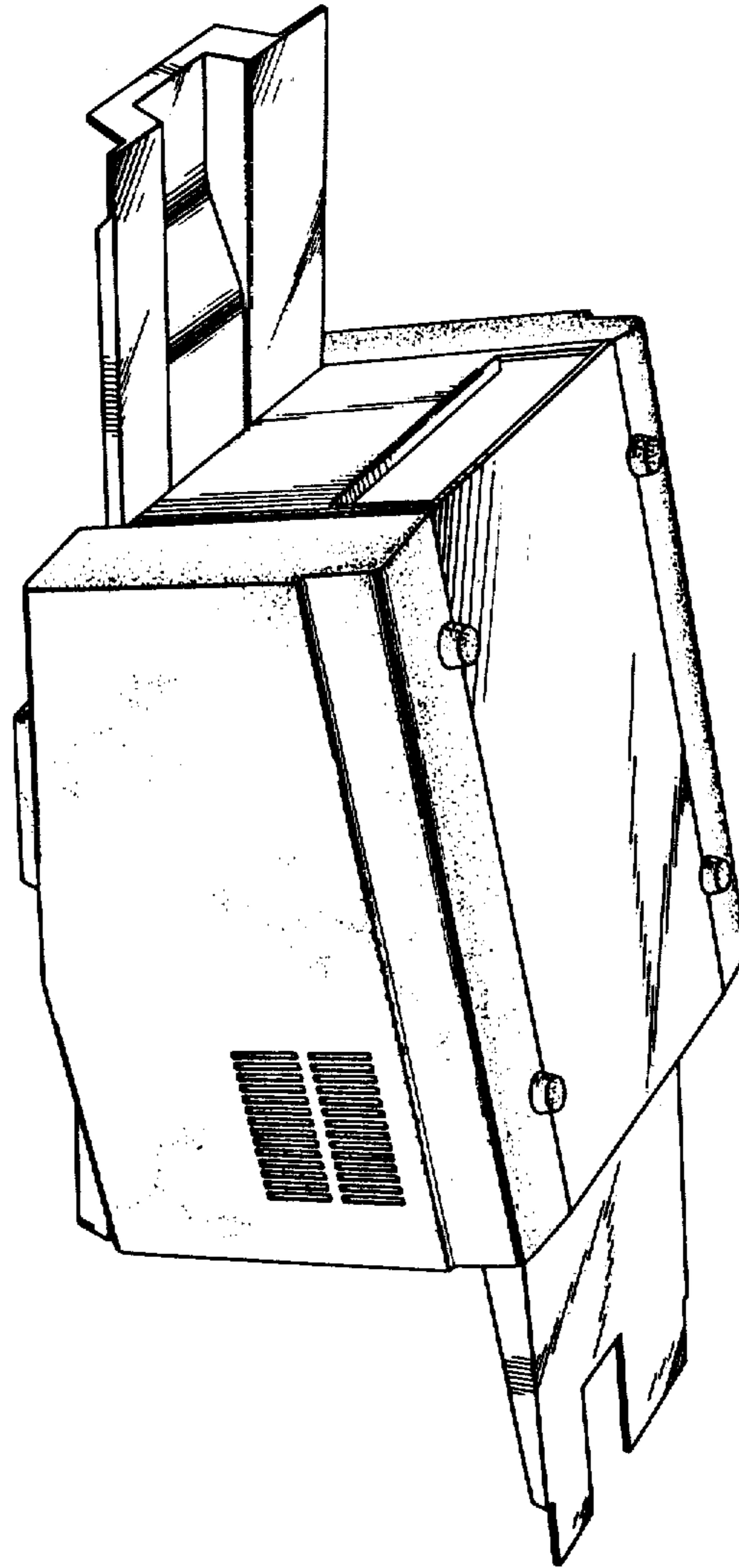


FIG. 3

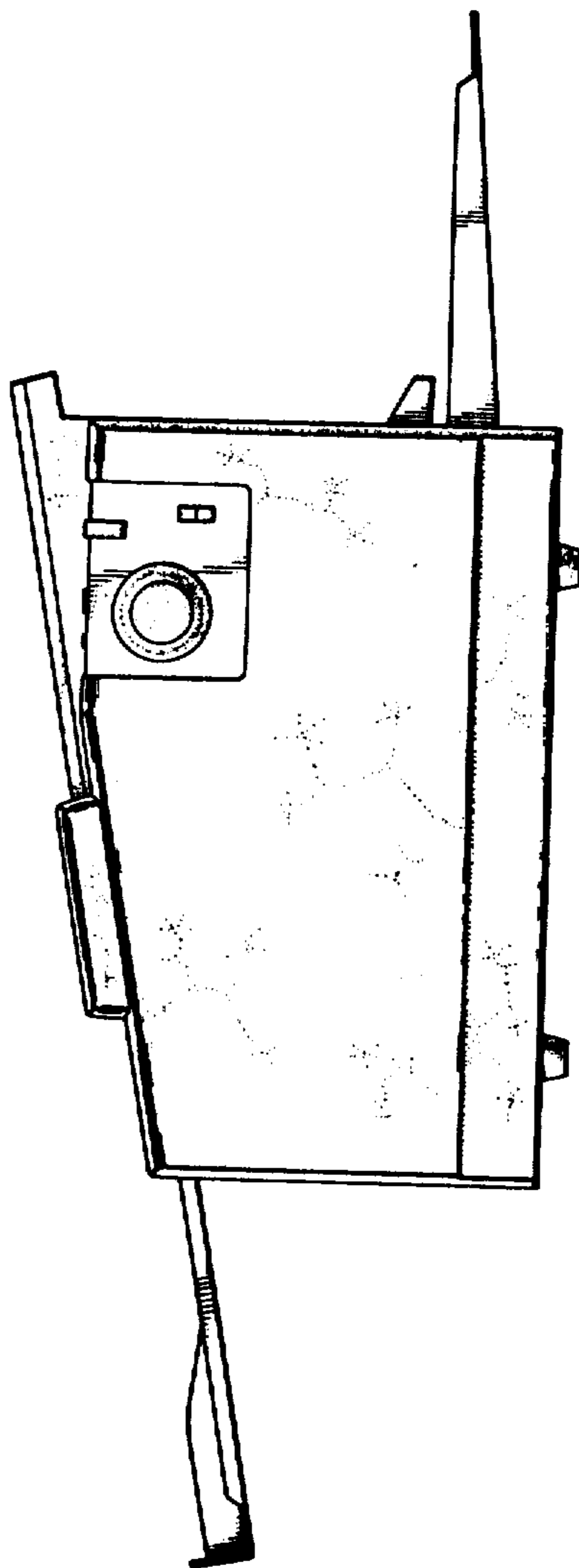


FIG. 4

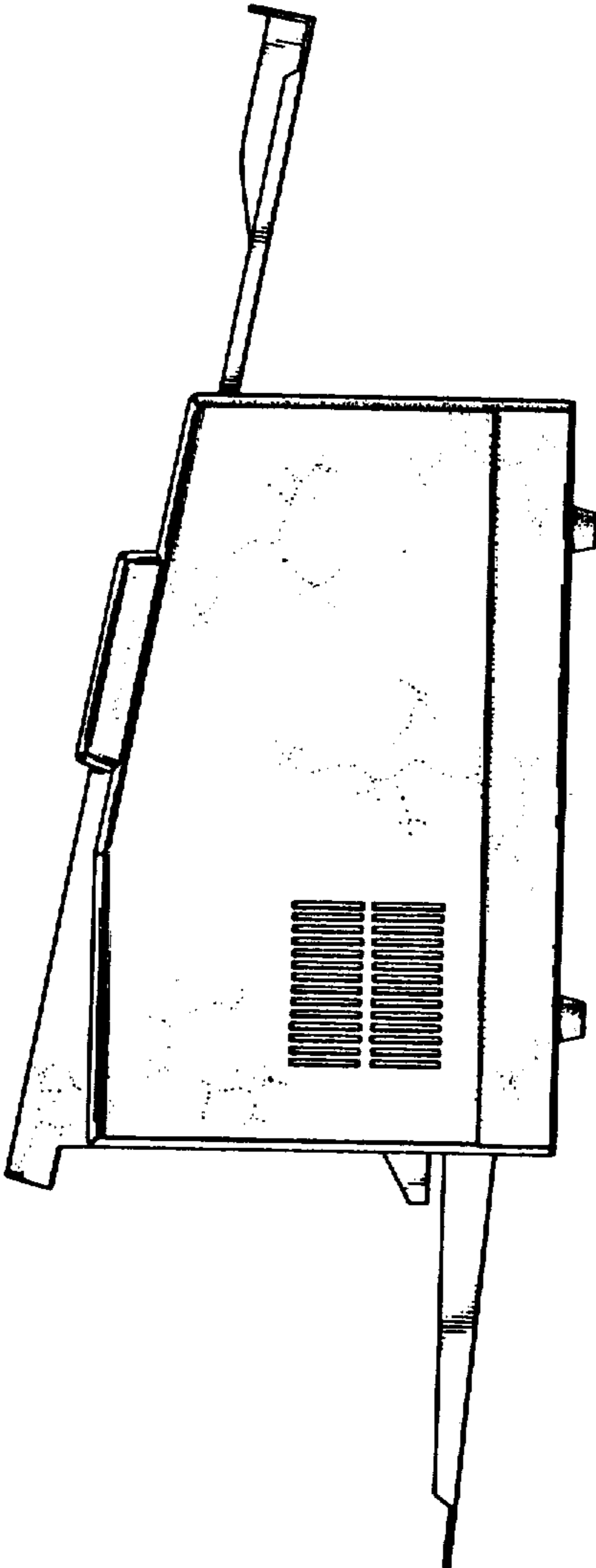


FIG. 5

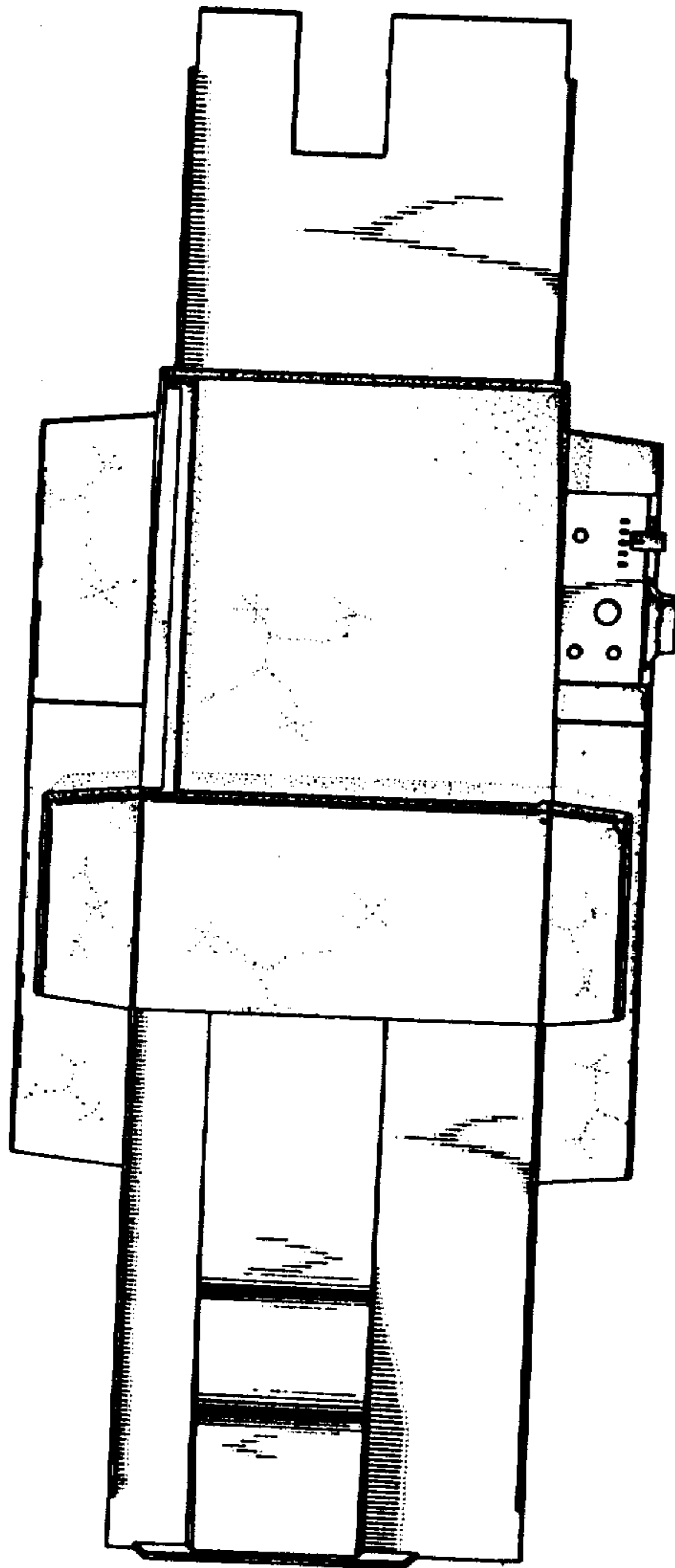


FIG. 6

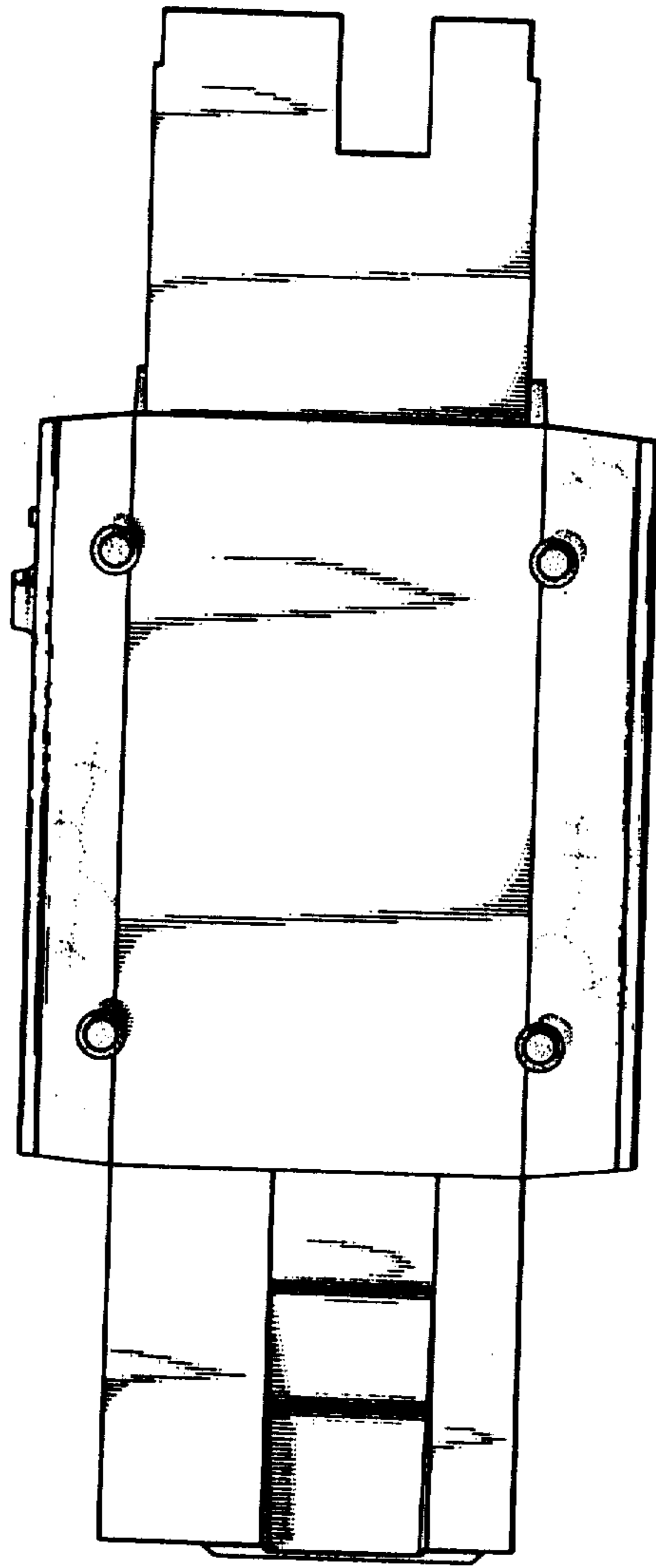


FIG. 7

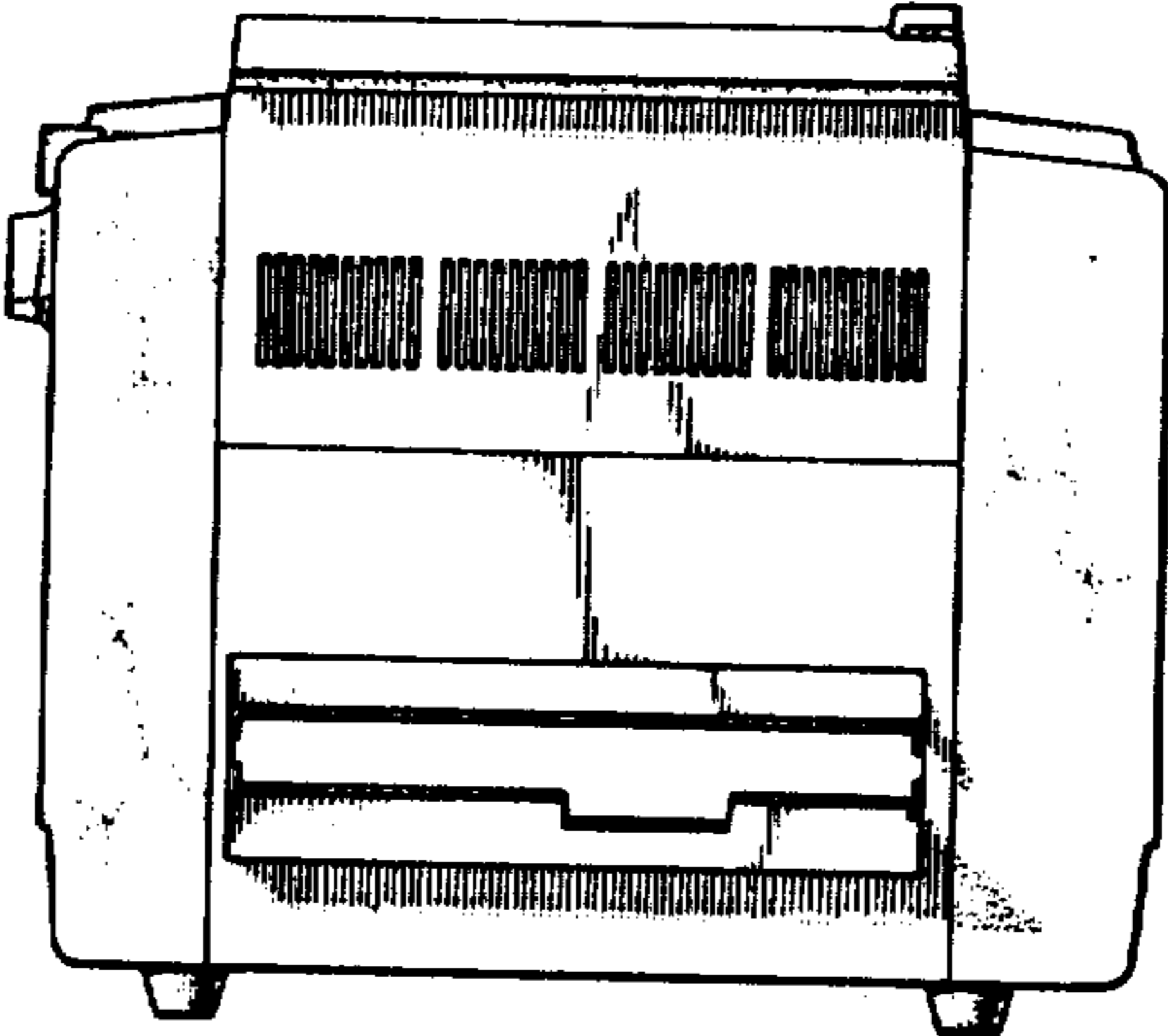


FIG. 8

