

[54] GLASS FILLER

[75] Inventor: Joseph N. Villa, Freehold, N.J.

[73] Assignee: Standard-Keil Hardware Manufacturing Co., Del.

[\*\*] Term: 14 Years

[21] Appl. No.: 112,889

[22] Filed: Jan. 17, 1980

[51] Int. Cl. .... D23-01

[52] U.S. Cl. .... D15/118; D15/120; D23/23

[58] Field of Search ..... D15/79, 111, 112, 114-120; D23/20, 23, 26, 32; 4/661; 108/24; 137/801; 239/289; 312/229

[56] References Cited

U.S. PATENT DOCUMENTS

D. 224,573 8/1972 Hauser ..... D15/118  
3,196,466 7/1965 DeLorenzo ..... 312/229 X

OTHER PUBLICATIONS

Restaurant Equipment Dealer, vol. 17, Nov. 1964, p. 48, Glass Filler in upper right.  
Foodservice Equipment Dealer, Apr. 1, 1973, p. 51, Glass Filler Water Station in upper left corner.

Primary Examiner—Leland A. Sebastian  
Attorney, Agent, or Firm—Blum, Kaplan, Friedman, Silberman & Beran

[57] CLAIM

The ornamental design for a glass filler, as shown.

DESCRIPTION

FIG. 1 is a top perspective view of a glass filler showing my new design;

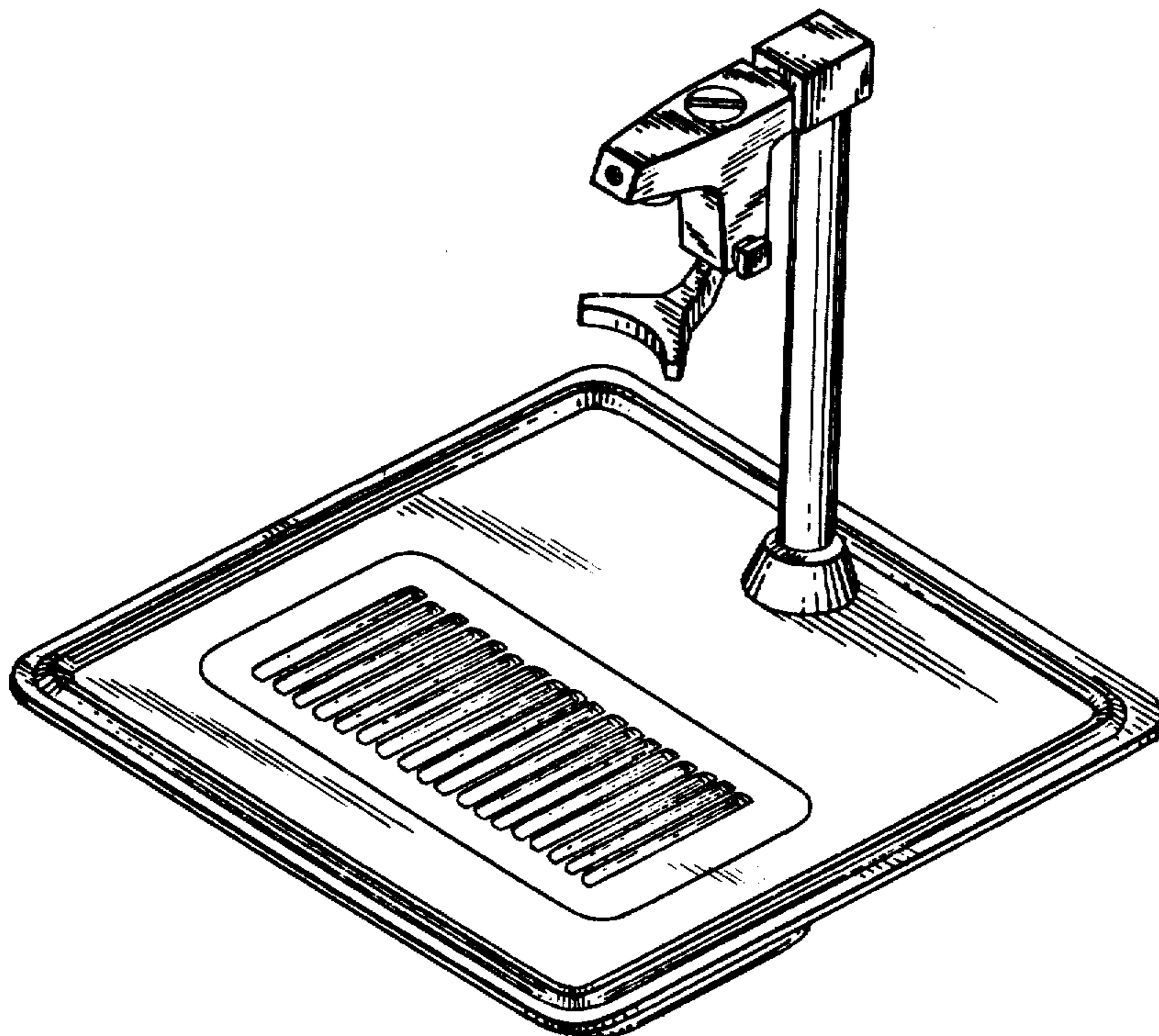
FIG. 2 is a top plan view thereof;

FIG. 3 is a left side elevational view thereof;

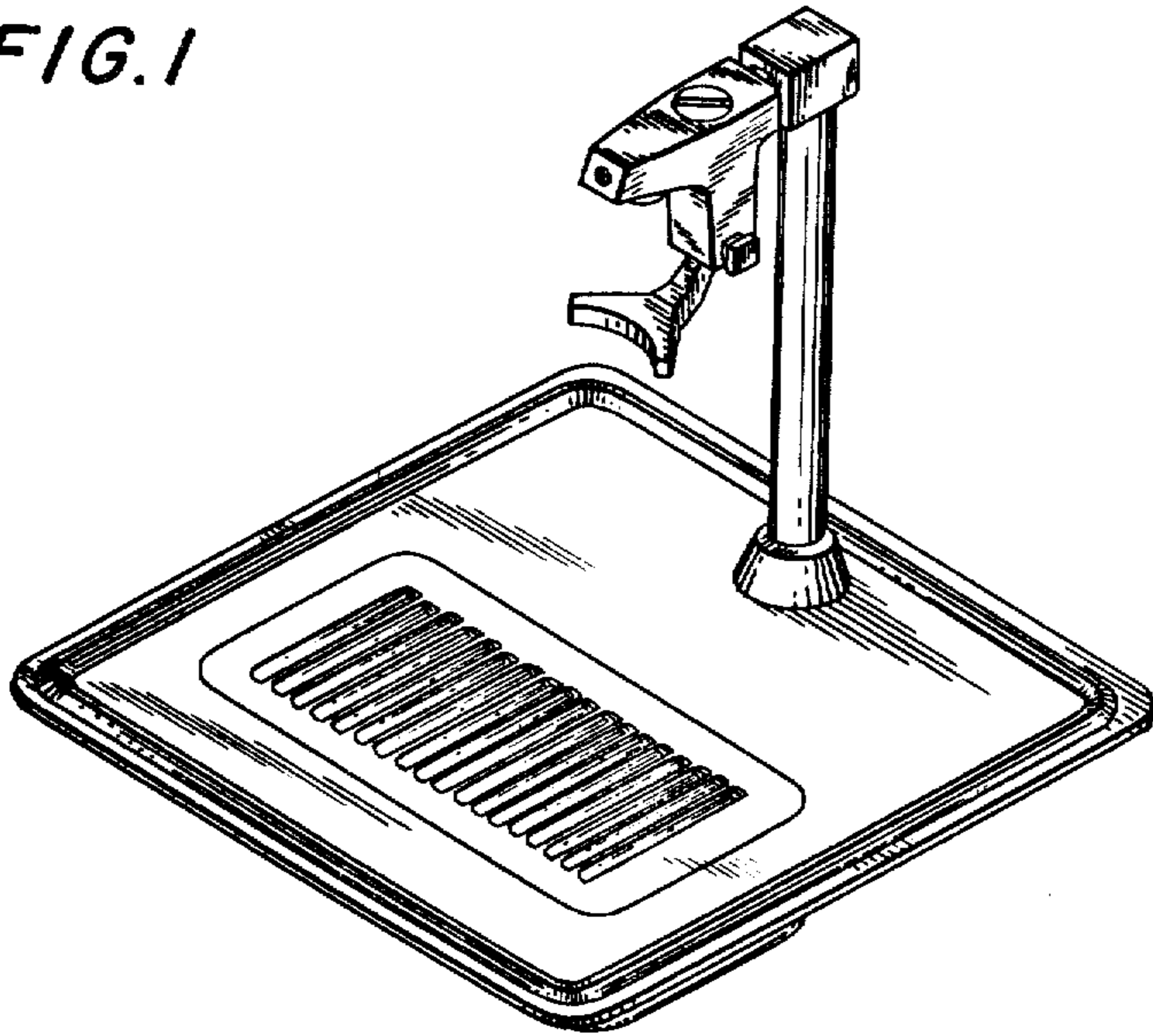
FIG. 4 is a bottom plan view thereof;

FIG. 5 is a front elevational view thereof; and

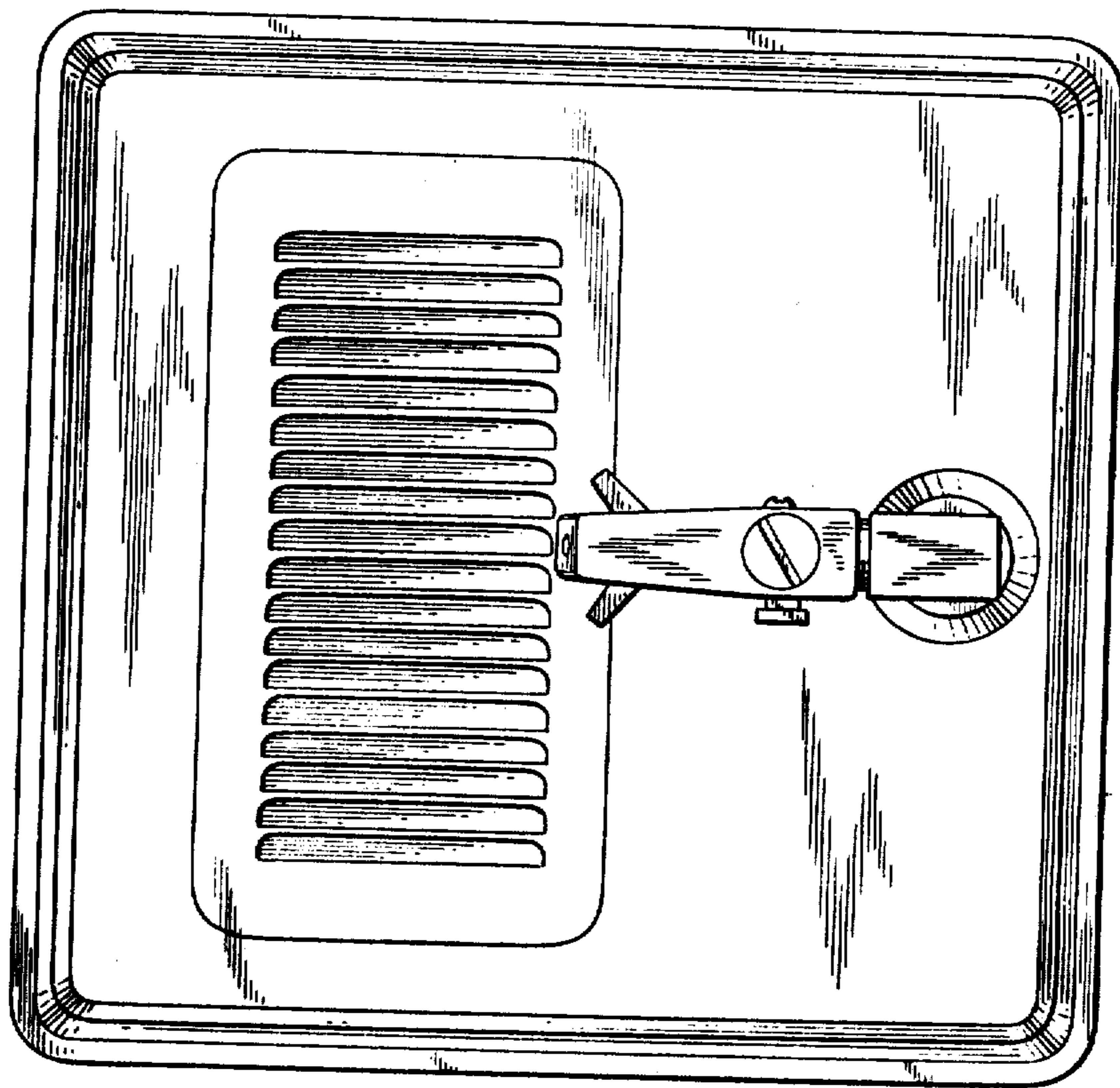
FIG. 6 is a rear elevational view thereof.



*FIG. 1*



*FIG. 2*



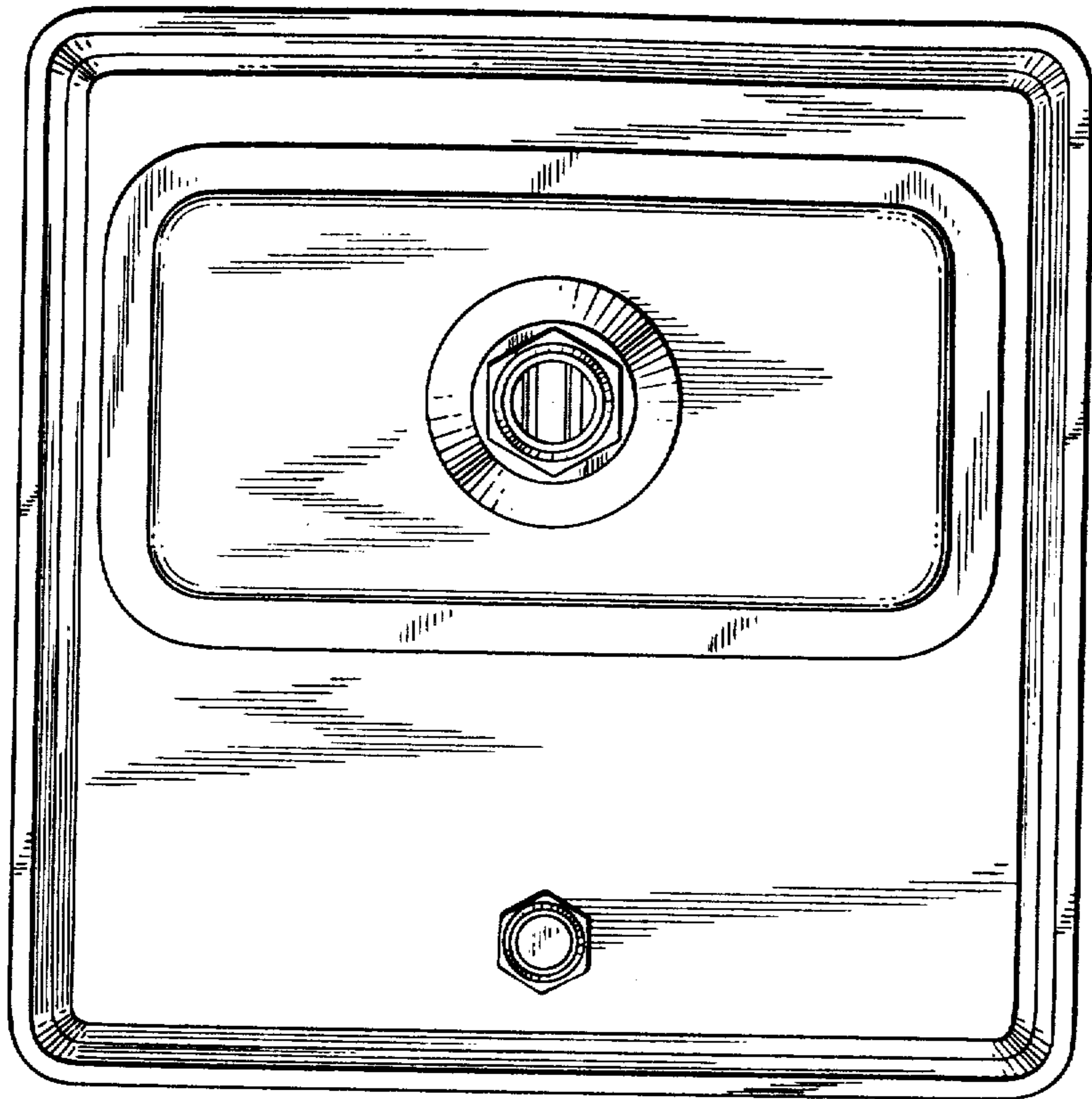
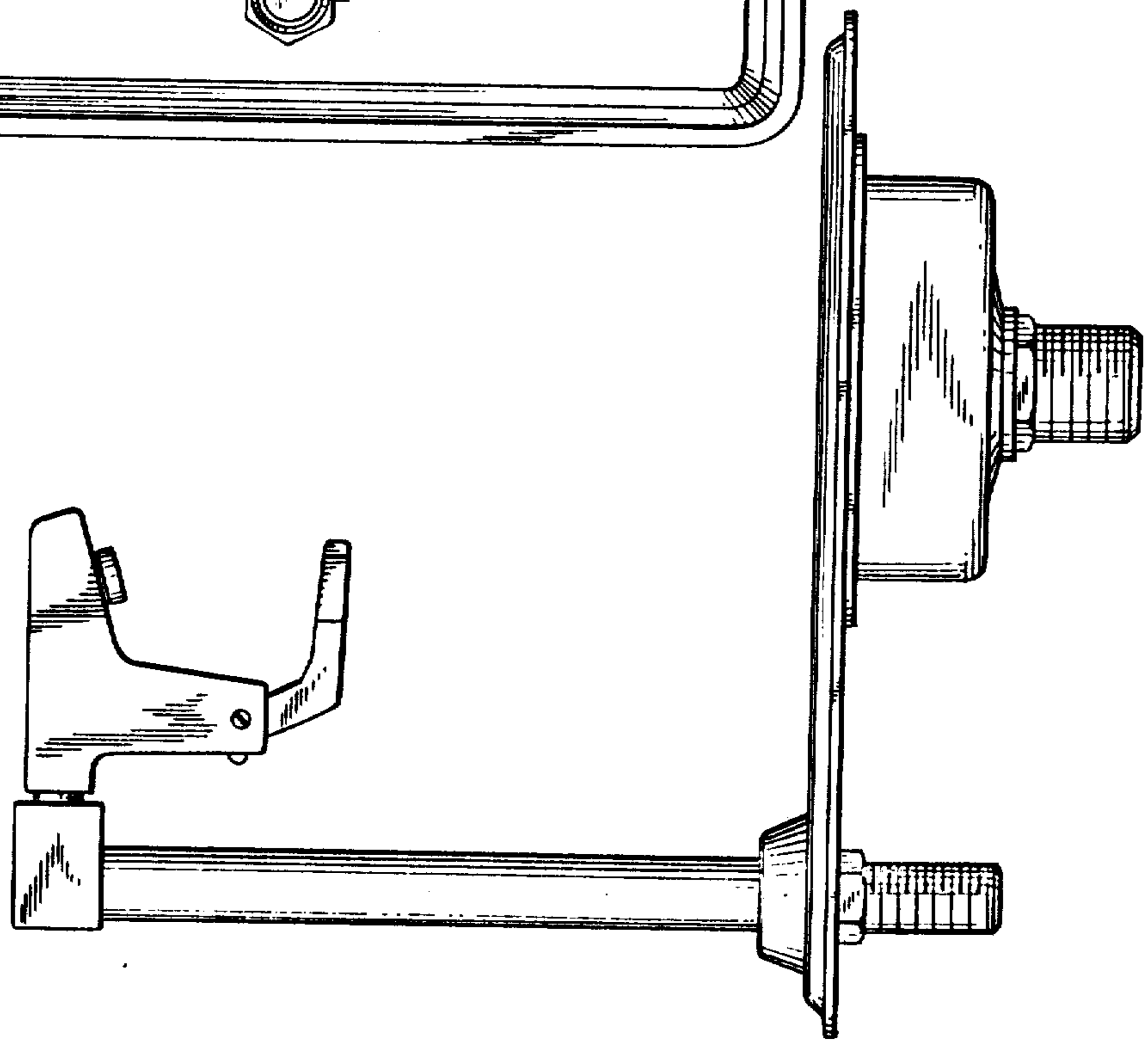


FIG. 4

FIG. 3



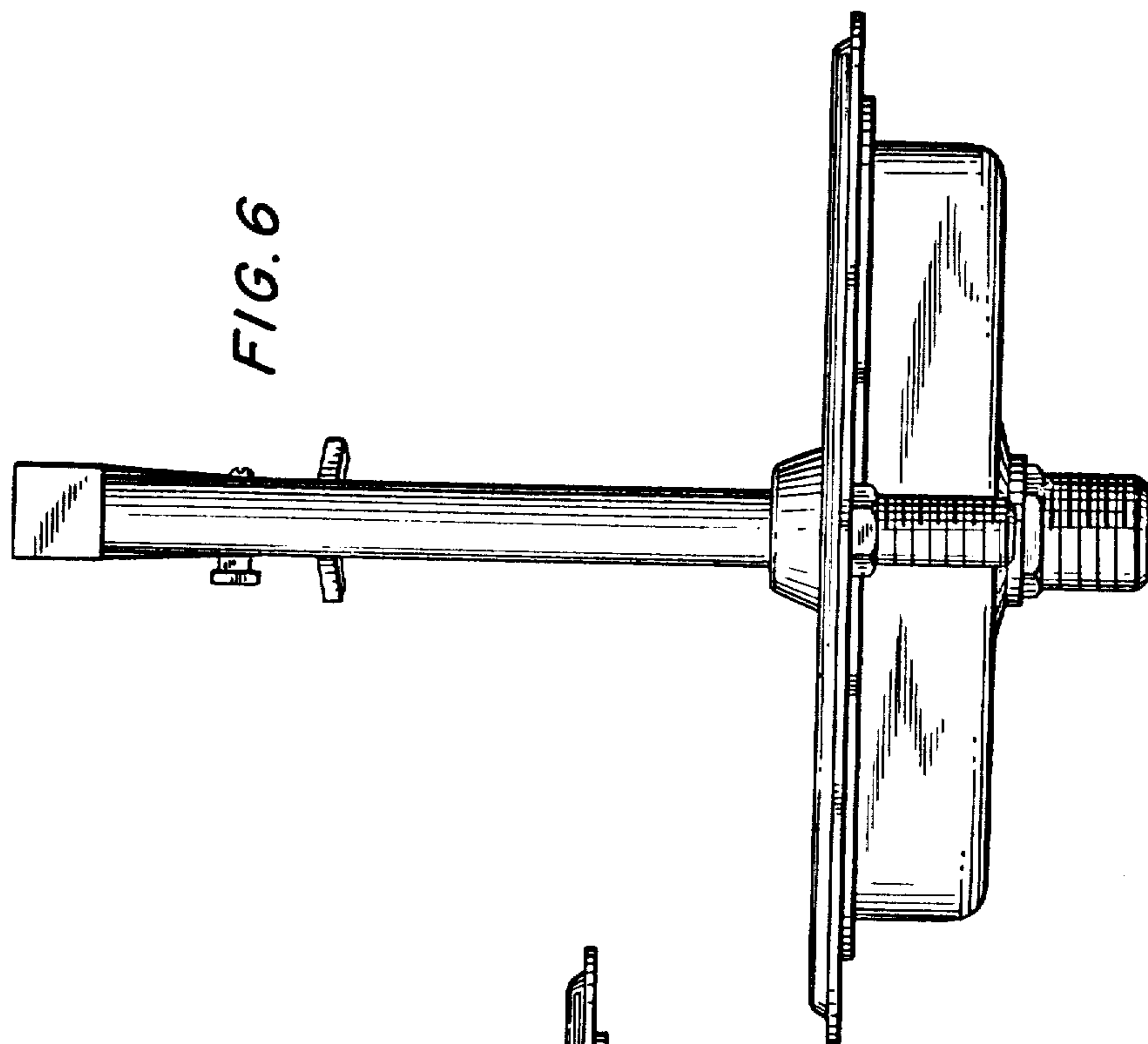


FIG. 6

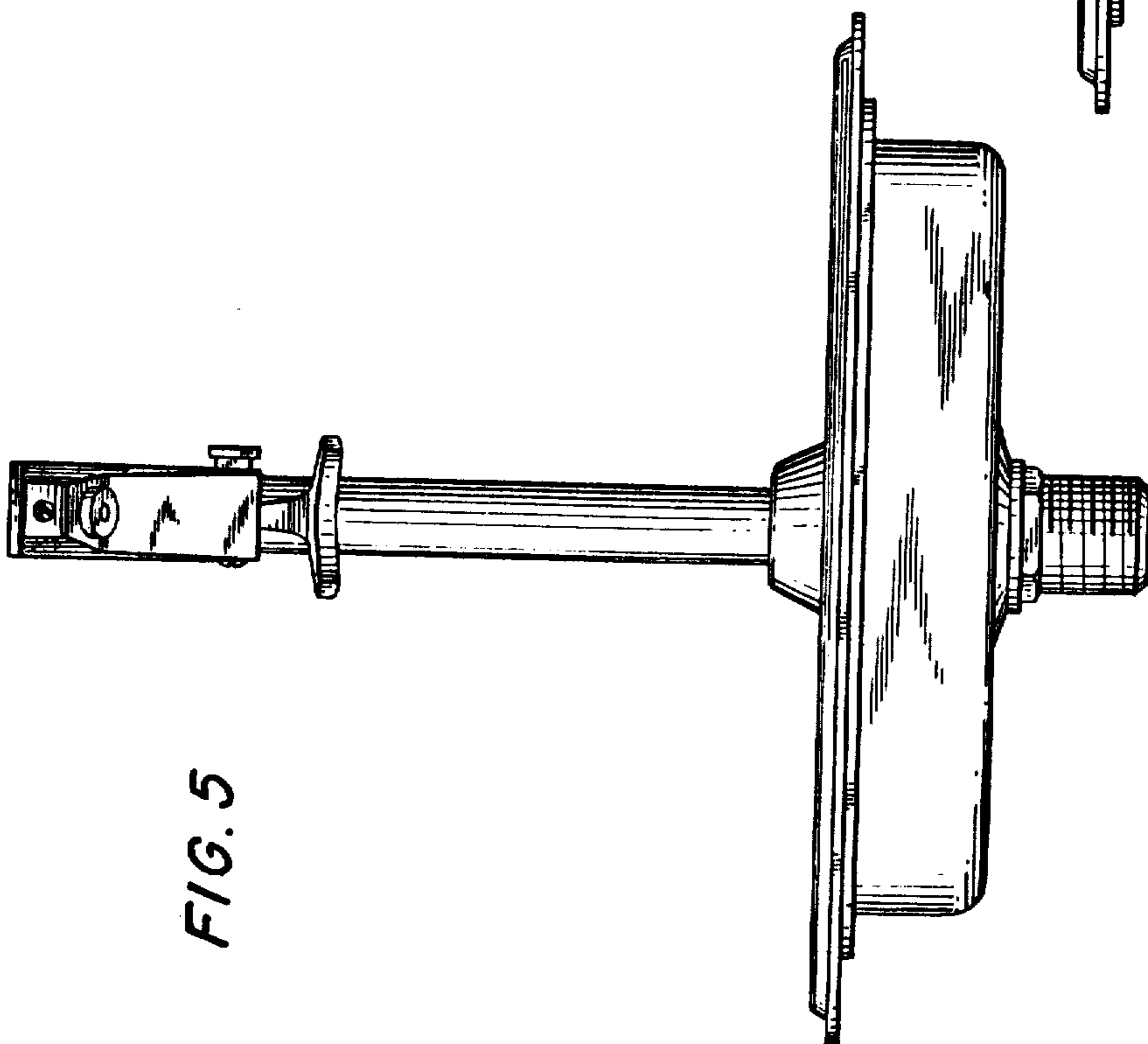


FIG. 5