

[54] **DISPENSER FOR LOZENGES**

[75] Inventors: **Thure Svensson, Habo; Jan Brandstrom, Degeberga, both of Sweden**

[73] Assignee: **Aktiebolaget Cloetta, Ljungbro, Sweden**

[**] Term: **14 Years**

[21] Appl. No.: **84,659**

[22] Filed: **Oct. 15, 1979**

[30] **Foreign Application Priority Data**
Apr. 20, 1979 [SE] Sweden 791013

[51] Int. Cl. **D15-99**

[52] U.S. Cl. **D15/111; D20/7**

[58] Field of Search **D7/20, 59, 60, 61, 63, D7/213; D9/362, 417, 435, 447, 449, 339; D15/92, 111, 119, 120; D16/27; D20/7; 206/528, 828; 221/194, 200, 202, 274, 281, 282, 285, 288, 303**

[56] **References Cited**

U.S. PATENT DOCUMENTS

1,186,887 6/1916 Cooley 221/274
1,289,792 12/1918 Jandron 221/281 X
1,321,382 11/1919 Mason 221/281 X

OTHER PUBLICATIONS

Vend, vol. 24, Jan. 15, 1970, p. 45, Vendor in lower right hand corner.

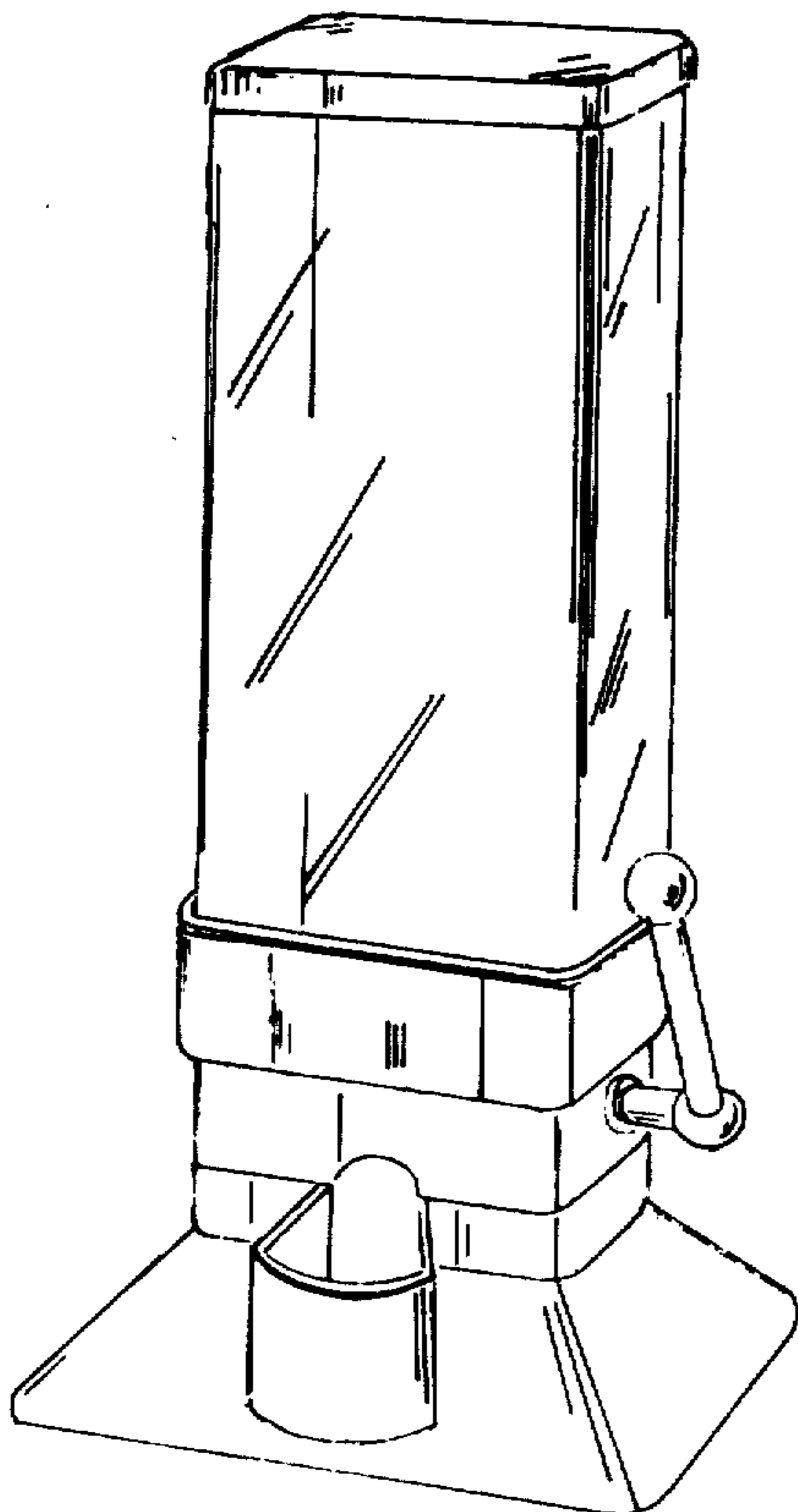
Primary Examiner—Leland A. Sebastian
Attorney, Agent, or Firm—Amster, Rothstein & Engelberg

[57] **CLAIM**

An ornamental design for a dispenser for lozenges, substantially as shown and described.

DESCRIPTION

FIG. 1 is a perspective view of a dispenser for lozenges showing my new design;
FIG. 2 is a front elevational view thereof;
FIG. 3 is a top plan view thereof;
FIG. 4 is a rear elevational view thereof;
FIG. 5 is a left side elevational view thereof; and
FIG. 6 is a right side elevational view thereof.



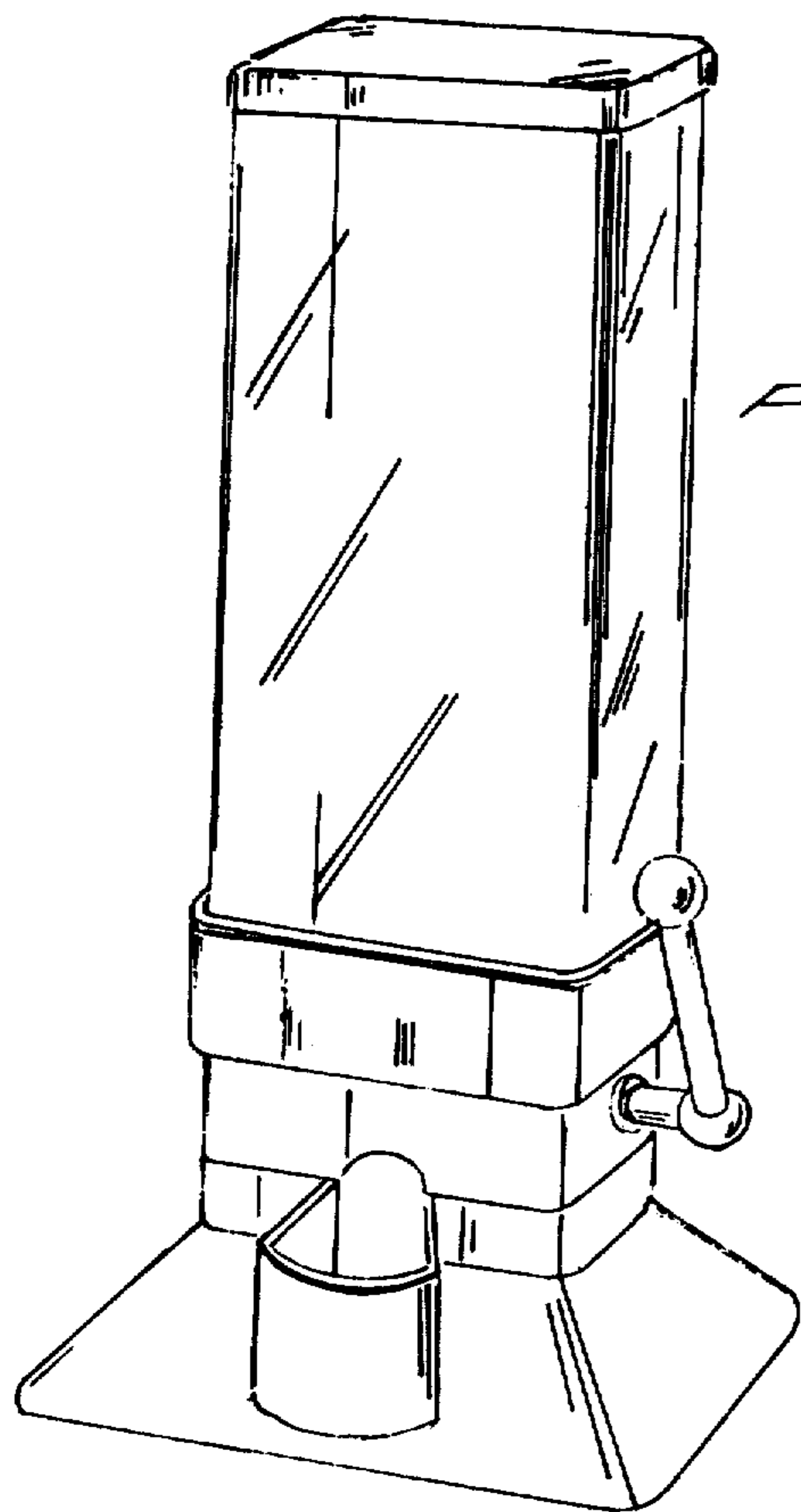


FIG. 1

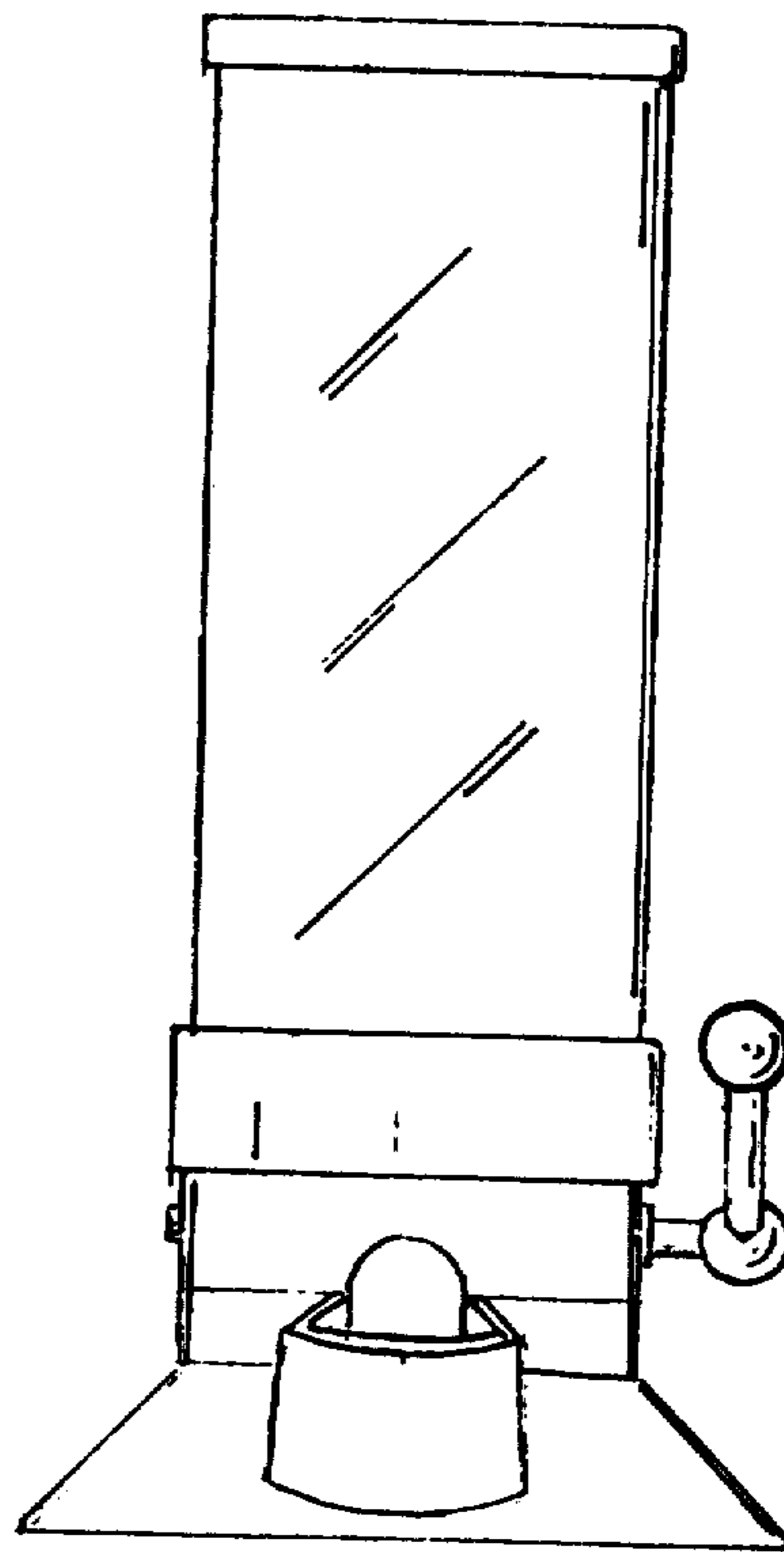


FIG. 2

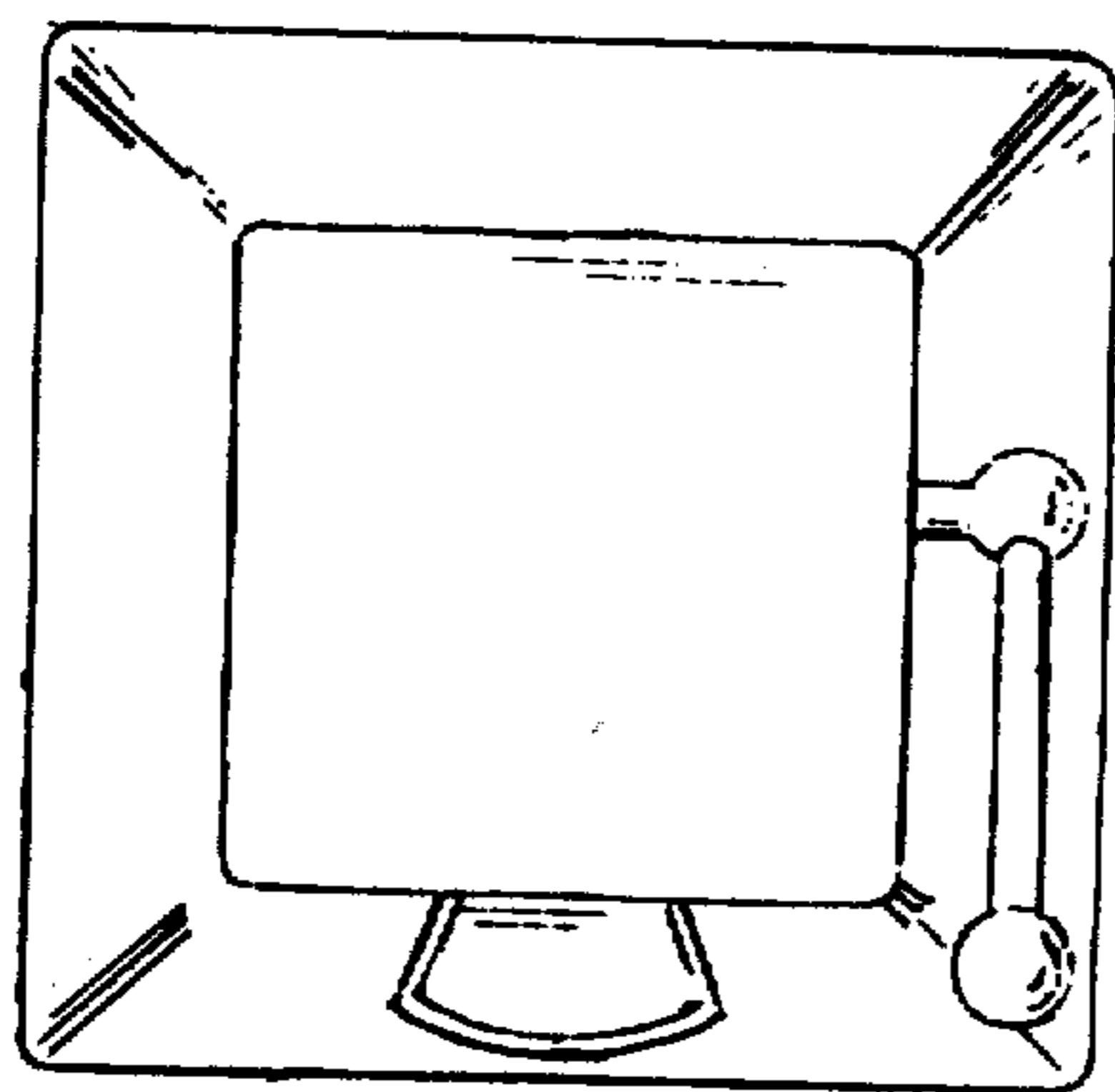


FIG. 3

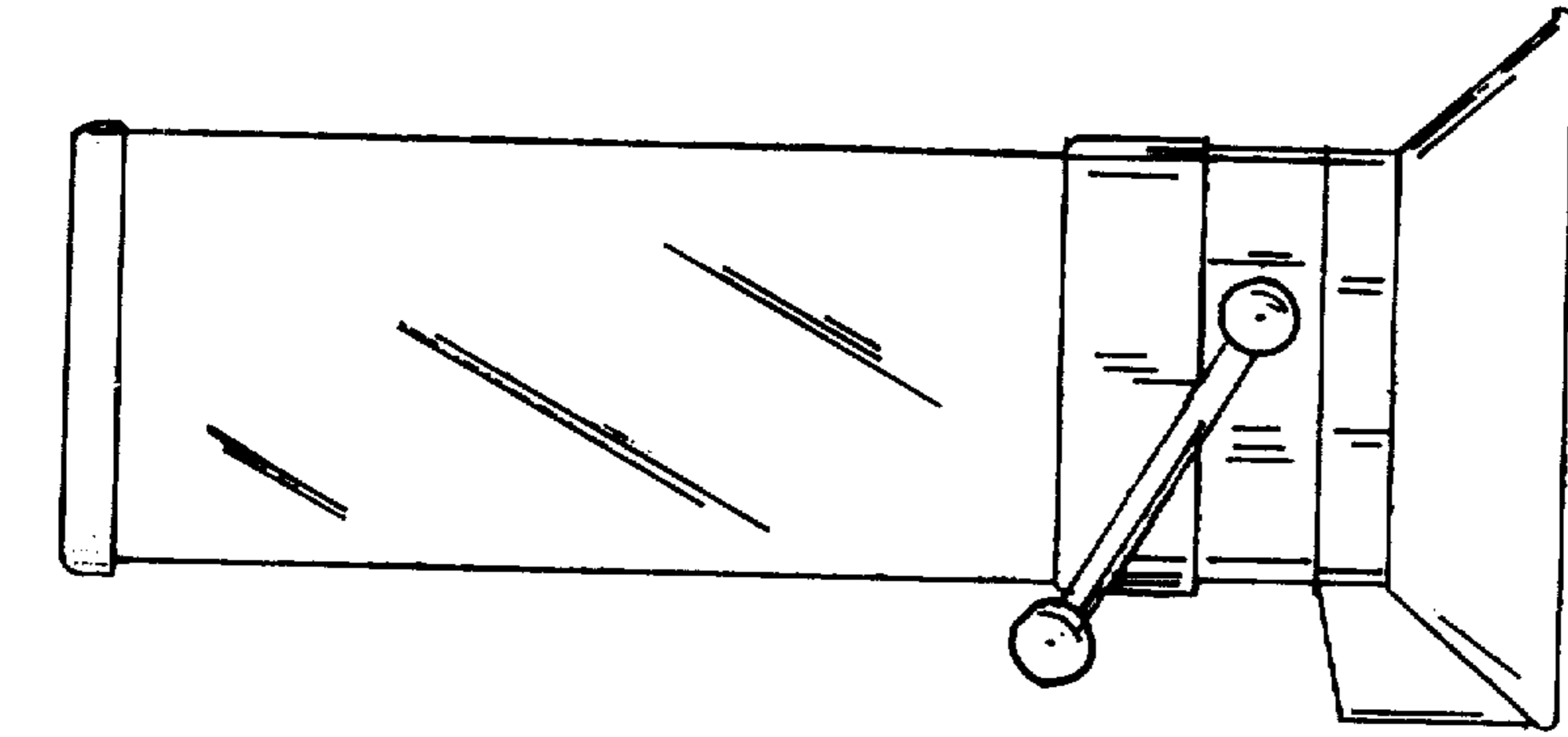


FIG. 6

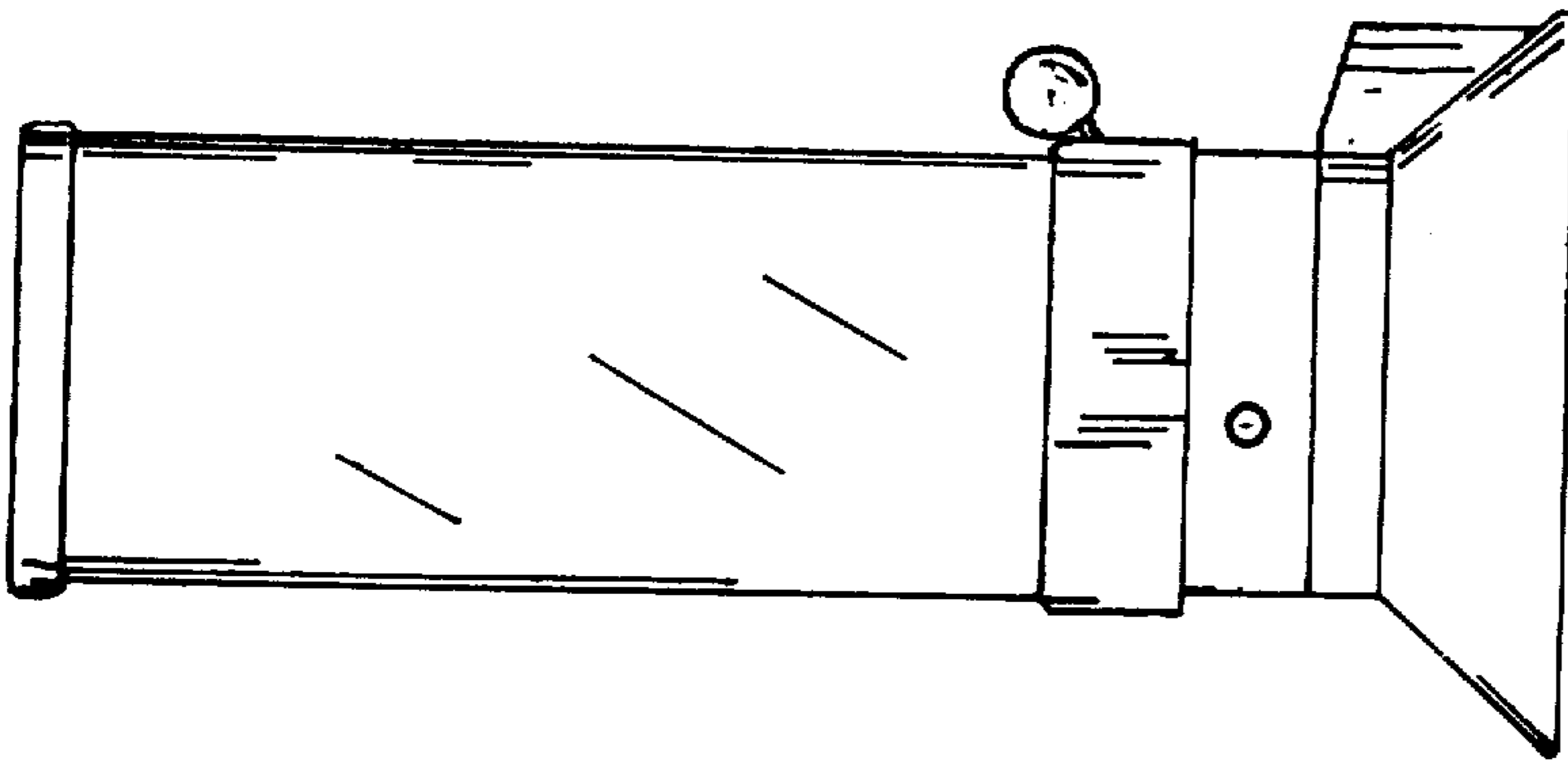


FIG. 5

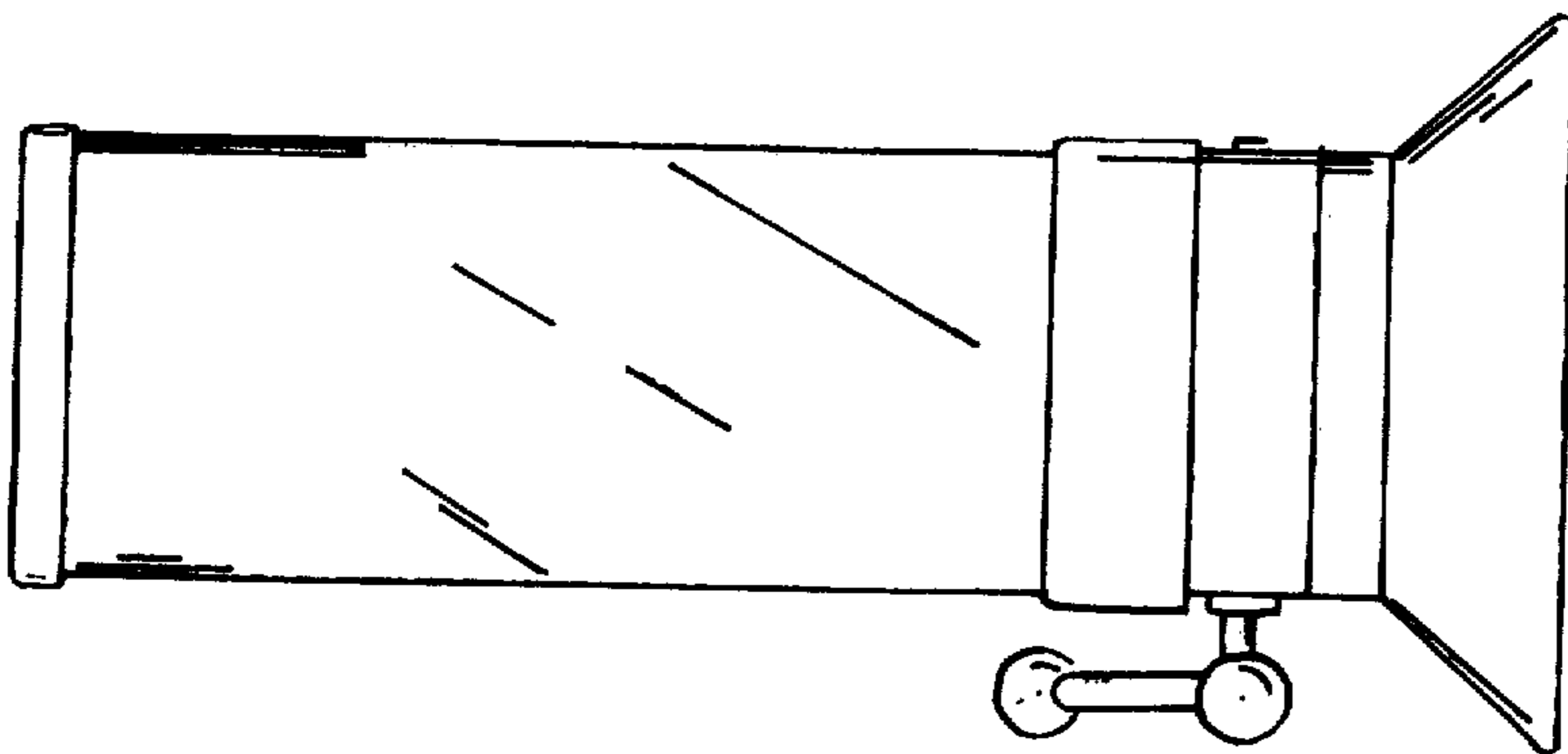


FIG. 4